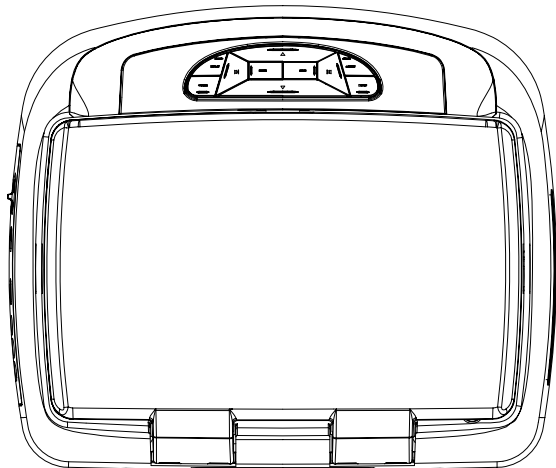


**ADVEXL12A**  
**12.1" OVERHEAD LED BACKLIT**  
**LCD MONITOR WITH DVD**  
**PLAYER AND HD INPUTS**



**ADVENT®**

**INSTALLATION**  
**GUIDE**

**HDMI®**  
HIGH-DEFINITION MULTIMEDIA INTERFACE

**MHL™**  
Mobile High-Definition Link



## TABLE OF CONTENTS

IMPORTANT NOTICES .....	2
GENERAL SYSTEM CONFIGURATIONS (IR TRANSMIT AND RECEIVE MODES M1 OR M2) .....	3
MATERIALS INCLUDED IN THIS PACKAGE .....	4
INSTALLING THE UNIT IN A VEHICLE .....	5
INSTALLING THE SNAP-ON SHROUD AND SCREEN COVER .....	6
INSTALLING THE TRIM RING .....	7
GENERAL VEHICLE INSTALLATION APPROACH .....	8
VEHICLE PREPARATION .....	9
CONNECTING THE DOME LIGHTS .....	10
INSTALLING THE MOUNTING BRACKET .....	12
INSTALLING THE ADVEXL12A VIDEO SYSTEM - WIRING DIAGRAM .....	13
INSTALLING THE ADVEXL12A VIDEO SYSTEM - MOUNTING THE UNIT .....	14
APPENDIX A- REMOVING THE TRIM RING, SNAP-ON SHROUD AND SCREEN COVER .....	15
APPENDIX B- INSTALLING THE OPTIONAL THICK TRIM RING .....	16
APPENDIX C- INSTALLING THE OPTIONAL GAME MODULE (MVGP1).....	17
APPENDIX D- INSTALLING THE OPTIONAL SMARTSTREAM MODULE (WM1) .....	18
TROUBLESHOOTING .....	19
NOTES.....	21

## IMPORTANT NOTICES

Installation of overhead products requires careful planning and preparation. Be extremely careful when working on a vehicle with side curtain air bags. Do not route wires near any portion of the side curtain air bag assemblies. This includes anchor points in A, B, C or D pillars of the vehicle. Routing wires in these areas or running wires by the side curtain air bags can prevent the side curtain air bag from fully deploying which can result in personal injury to vehicle occupants. If you have any question regarding routing in a vehicle, please contact Audiovox Technical support at 1-800-225-6074.

An LCD panel and/or video monitor may be installed in a motor vehicle and visible to the driver only if the LCD panel or video monitor is used for vehicle information, system control, rear or side observation or navigation. If the LCD panel or video monitor is used for television reception, video or DVD play, the LCD panel or video monitor must be installed so that these features will only function when the vehicle is in "park" or when the vehicle's parking brake is applied.

An LCD panel and/or video monitor used for television reception, video or DVD play that operates when the vehicle is in gear or when the parking brake is not applied must be installed to the rear of the driver seat where it will not be visible, directly or indirectly, to the operator of the motor vehicle.

### \*\*\* Important Notices\*\*\*

**When connecting power and ground in a mobile video installation, insure that the ACC wire is fused at the point where it is connected to the vehicle's ACC wiring. Failure to do so can result in damage to the vehicle if a short circuit develops between the vehicle connection point and the mobile video product.**

**When installing this overhead monitor there should be no obstructions such as extra cabling, power chokes or any other objects placed between this overhead and supplied mounting bracket. Failure to comply may cause damage to the overhead monitor and will void the warranty.**

## WARNINGS

- Do not use any solvents or cleaning materials when cleaning the video monitor.
- Do not use any abrasive cleaners, they may scratch the screen.
- Use only lightly dampened lint free cloth to wipe the screen if it is dirty.
- Lock the LCD screen in fully closed position when not in use.
- Before putting on headphones, always adjust the volume setting to OFF or lowest position.
- Remember to leave the dome light switch in the off or auto position when the vehicle is unattended, as the dome lights, if left on, can drain the vehicle battery.
- Do not put pressure on the screen.
- Caution children to avoid touching or scratching the screen, as it may become dirty or damaged.

## Safety Precautions

For safety reasons, when changing video media, it is recommended that the vehicle is not in motion, and that you do not allow children to unfasten seat-belts to change video media or make any adjustments to the system. System adjustments can be accomplished using the remote control, while seat-belts remain fastened. Enjoy your ADVENT entertainment system but remember that the safety of all passengers remains the number one priority.

Please be advised that the wireless FM modulator will perform well in most applications. However, in certain applications the quality of the wireless signal may be less than optimal, resulting in static or strong local station bleed through.

Patented: Refer to [www.voxintl.com/company/patents](http://www.voxintl.com/company/patents)

## GENERAL SYSTEM CONFIGURATIONS (IR TRANSMIT AND RECEIVE MODES M1 OR M2)

The following is intended to provide some of the system configurations that are possible with the ADVEXL12A Overhead LED Backlit LCD Monitor with DVD Player:

The ADVEXL12A has an option that allows the user to select from two IR transmit and receive codes (M1 or M2). This feature can be used when using two ADVEXL12A units in the same installation or if the vehicle has an RSA (Rear Seat Audio) that uses an "A" channel headset. The ADVEXL12A comes factory set to M1. When in the M1 mode the unit will respond to remote commands when M1 is selected on the remote and will transmit audio on the A channel. When in the M2 mode the unit will respond to remote commands when M2 is selected on the remote and will transmit audio on the B channel.

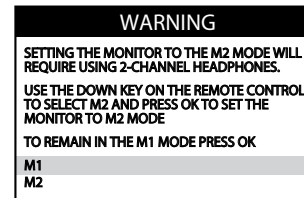
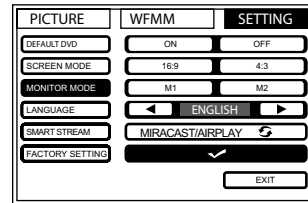
### Selecting a Monitor Code (M1 or M2)

1. Power ON the unit and wait until M1 or M2 appears on the OSD. M1 or M2 will appear on the screen for 4~5 seconds.
2. Press the System Menu button on the remote control to display the system menu to change the monitor code from M1 to M2.
3. Use the ◀ or ▶ cursor buttons to select the Setting sub menu.
4. Use the ▲ or ▼ cursor buttons to select the Monitor Mode sub menu option.
5. Use the ◀ or ▶ cursor buttons to select the desired Monitor Mode (M1 or M2), press OK to confirm the setting and the following screen will appear.
6. Use the ▲ or ▼ cursor buttons to change the selected Monitor Mode (M1 or M2), press OK to confirm the setting.
7. Press the System Menu button on the remote control to exit the System Menu mode.

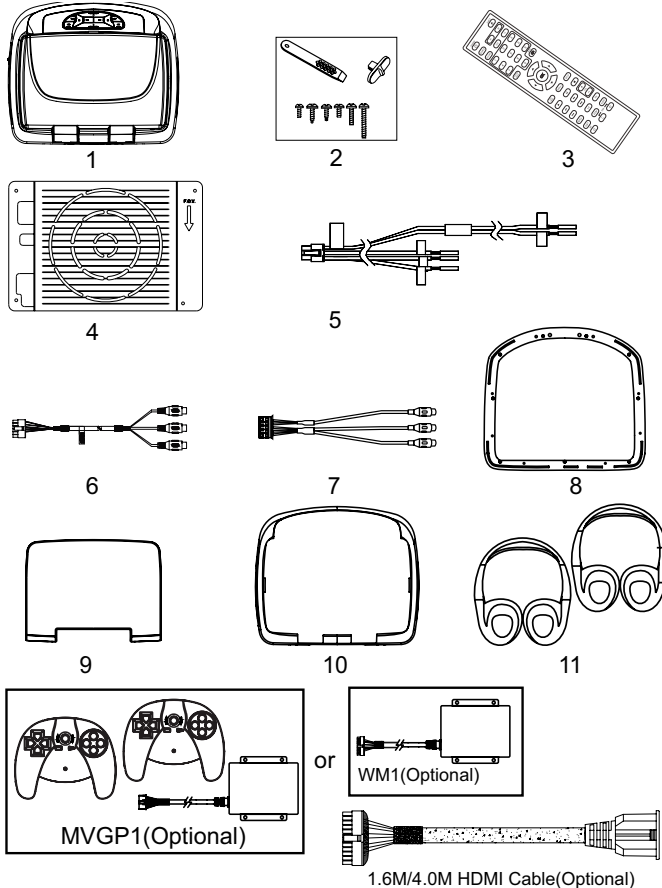
**NOTE:** *If no action is taken, this menu will disappear in 10 seconds.*

The two overheads can be connected together using RCA cables plugged into the AV Input and AV Outputs connectors.

- Plug the AV OUT of the M1 unit into the AV IN of the M2.
- Plug the AV IN of the M1 unit into the AV OUT of the M2.



## MATERIALS INCLUDED IN THIS PACKAGE



1. 12.1" TFT LCD Overhead Monitor with DVD Player - (1 pc)
2. Hardware Package (P/N: 540-022) - (1 pkg)  
 M3 x 8mm Phillips Screws - (10 pcs)  
 #4.3 x 10mm Self Drilling Screws - (4 pcs)  
 #2.6 x 6mm Self Tapping Screws\* - (2 pcs)  
 (\*NOTE: For Installation of MVGP1 or WM1)  
 M5 x 10mm Phillips Screws - (4 pcs)  
 M5 x 20mm Phillips Screws - (4 pcs)  
 M5 x 40mm Phillips Screws - (4 pcs)  
 Pry Tool and Slide Knob for Dome Light Switch(P/N: 540-023) - (1 pc)

**CAUTION:** The 10mm, 20mm and 40mm screws in the hardware kit are provided to facilitate installation. Use extreme caution when using these screws to avoid damage to vehicle roof or other components, wiring, etc.

3. Remote Control w/ Battery (P/N: 500-003) - (1 pc)
4. Mounting Bracket (P/N: 201-418) - (1 pc)
5. 6 Pin Power/Dome Light Harness (P/N: 112-4270) - (1 pc)
6. 5 Pin AV input Harness (P/N: 112-4259) - (1 pc)
7. 5 Pin AV output Harness (P/N: 112-4260) - (1 pc)
8. Trim Ring - Shale (P/N: 306-260) - (1 pc)  
 - Pewter (P/N: 306-261) - (1 pc)  
 - Black (P/N: 306-262) - (1 pc)
9. Snap On Cover (Screen Back) - Shale (P/N: 306-266) - (1 pc)  
 - Pewter (P/N: 306-267) - (1 pc)  
 - Black (P/N: 306-268) - (1 pc)
10. Snap On Cover (Shroud) - Shale (P/N: 306-263) - (1 pc)  
 - Pewter (P/N: 306-264) - (1 pc)  
 - Black (P/N: 306-265) - (1 pc)
11. Wireless Headphones w/ Batteries (P/N: 136-5301) - (2 pcs)
12. Installation Guide & Owner's Manual (Not Shown) - (1 of each)

### Optional Accessories

- Game Module Package (P/N: MVGP1) See Appendix C for installation
- Smart Stream(P/N: WM1) See Appendix D for installation
- 1.6M HDMI Cable (P/N: 103-659)
- 4.0M HDMI Cable (P/N: 103-660)

## INSTALLING THE UNIT IN A VEHICLE

### Tools Required

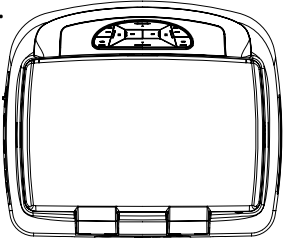
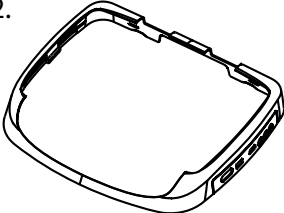
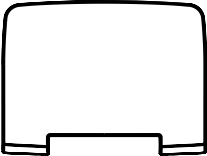

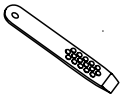
1. #2 Phillips Screwdriver
2. #1 Phillips Screwdriver
3. Utility or Razor Knife
4. Wire Strippers
5. Upholstery hook tool (for removal of panels as necessary)
6. Electrical Tape
7. Masking Tape
8. Multimeter to verify 12 volt DC and continuity (Do not use a test light or logic probe)
9. Marker pen – to mark headliner, to mark trim ring if used
10. Scribe (to mark trim ring if used)
11. Miscellaneous:
  - Electrical Connectors (to connect to vehicle power source, requirements will vary from vehicle to vehicle)
  - DVD Movie (to verify system operation after installation)

### Preparation

Place the unit on a soft surface to avoid damaging the plastic.

### Installing the Snap On Covers

*The ADVEXL 12A is supplied with black, shale and pewter plastics to allow for a custom installation. Choose the desired color and install as follows.*

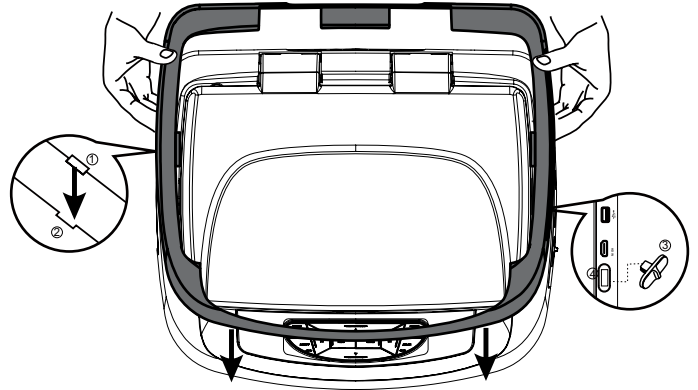
1.  Housing	2.  Snap On Cover (Shroud) 1 Pewter, 1 Shale, 1 Black	3.  Snap On Cover (Screen Back Cabinet) 1 Pewter, 1 Shale, 1 Black	4.  Slide Knob 5.  Pry Tool
---	--	---	--

## INSTALLING THE SNAP-ON SHROUD AND SCREEN COVER

### Installing the Shroud

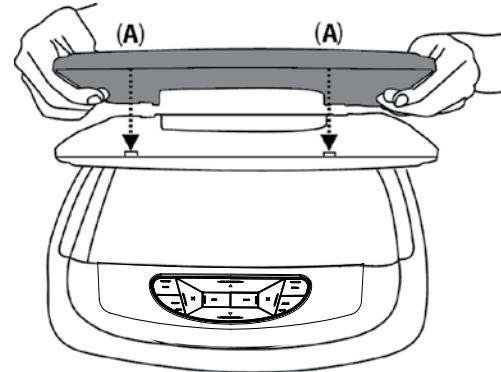
**\*NOTE:** Work on a soft surface to avoid damaging the plastic.

1. Remove the double sided tape backing from the two strips on the center section of the shroud.
2. Hook the shroud over the dome light and align the shroud tabs ① with the eight openings around the rim of DVD player ②.
3. Slide the shroud down until the shroud completely covers the DVD player and that all eight tabs snap into all eight openings around the DVD player ①,②.
4. Apply pressure to the center section of the shroud in the area of the double sided tape to ensure that the tape adheres.
5. Locate the Slide Knob ③ in the hardware package and press it onto the dome light switch ④ on the side of the DVD player.



### Installing the Screen Cover

1. Open the LCD screen.
2. Hook the two tabs "A" (as shown) on the bottom edge of the screen.
3. Carefully snap the opposite side over the hinge.



**NOTE:** If the wrong color Shroud and Screen Cover is installed, refer to Appendix A of this manual for instructions to change the Shroud and Screen Cover color.



## INSTALLING THE TRIM RING

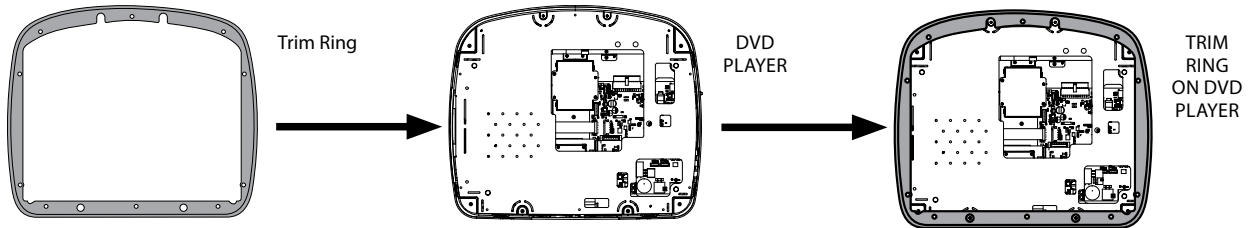
The trim ring is attached to the video monitor using the perimeter screw bosses. It is important that the screws used in this installation are not over tightened, and that the video monitor and trim ring are mounted in such a way that the assembly does not distort (or bend) when the mounting screws are tightened.

There are two Trim Ring options for mounting the ADVEXL12A, one is to use the supplied Trim Ring for all vehicles with flat headliner mounting areas (no contour) or a thick Trim Ring (not supplied) that can be cut to fit the contour of a headliner that is not flat (see Appendix B of this manual).

**NOTE:** *The trim rings supplied with this unit are not designed to be trimmed.*

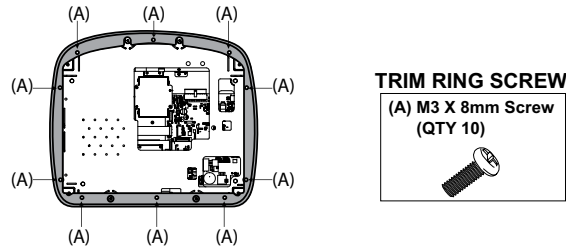
### Installing the Trim Ring

1. Turn the DVD Player over on a surface with protective covering to prevent scratches.
2. Place the trim ring onto the DVD Player. Align the pins on the trim ring with the holes in the metal chassis plate.



3. Locate the ten (10) M3 x 8mm screws in the hardware kit.
4. Using a screwdriver, install the ten (10) M3 x 8mm screws into the locations marked "A" shown in the figure below.

**NOTE:** *Use caution tightening screws as the threads may strip in the DVD Player.*



## GENERAL VEHICLE INSTALLATION APPROACH

1. Decide upon system configuration and options that will be installed (i.e.: what components, Video Game, external amp).
2. Review all manuals to become familiar with electrical requirements and connections.
3. Decide upon mounting locations of all components and method of mounting.
4. Prep the vehicle by removing any interior trim necessary to gain access to vehicle's wiring as well as all areas where interconnecting wire harnesses will need to be located. If any access holes need to be cut into the vehicle (headliner, other trim components etc.), this should be done now as well.
5. Route the wiring harnesses throughout the vehicle as necessary. (Refer to the Wiring Diagrams on page 13 of this manual, as well as the wiring instructions for the individual components and accessory options being installed). Be sure that all wiring is protected from sharp edges and is routed in such a manner that wiring is not pinched when all components and interior trim are fully installed. Be sure to leave enough slack in the wiring at each component to allow working room. Avoid routing wiring near or over airbag wiring or airbags.
6. Remove all A/V system components from their packaging and place them loosely in the vehicle at their respective locations.
7. Connect all components together (electrically) and verify proper operation of all system functions. Note: This is best done BEFORE components have been permanently mounted.
8. After verifying proper operation of the system proceed to mount each component.
9. When all components are mounted recheck the function of the entire system again to ensure that no wiring was pinched or connected improperly during final installation.

## VEHICLE PREPARATION

1. Locate an accessory +12V power source with a good ground. These wires can be found at the ignition switch or fuse-box.  
Power Source
  - +12V when the key is in the ACC and run positions.
  - 0v when the key is OFF.

**NOTE:** *Always fuse the ACC +12V at the source where it is connected to the vehicle.*

2. The mounting method and location will vary from vehicle to vehicle, the only focus of this manual is the installation of the ADVEXL12A.
3. Generally, the best location for the video monitor is where the vehicle's factory dome light is installed. The monitor should be located in such a manner that it can be comfortably viewed by rear seat passengers.

**NOTE:** *Never install the monitor in a place within the driver's view. This is not only dangerous, but it is also illegal in many states.*

4. Once the mounting location of the monitor has been determined, additional preparation work may be necessary, depending on the vehicle structure and installation method. Some of the steps that may be required are:
  - a. Removal of the vehicle's dome light.
  - b. Cutting an opening in the headliner to install the mounting bracket.
  - c. If the optional Thick Trim Ring will be used, it may have to be trimmed to fit the contour of the vehicle's headliner. Refer to Appendix B Installing the Optional Thick Trim Ring.

## CONNECTING THE DOME LIGHTS

The dome lights in the video monitor require three connections to the vehicle's wiring. There are two common types of dome light circuits used, positive switched systems or negative switched systems. Positive switched systems supply voltage to the interior lights to turn ON; negative switched systems apply ground to illuminate the bulbs.

To determine which system you have to locate the wires at the dome light:

- On a positive switched system, with all the doors closed and the lights out, both wires at the dome light will rest at ground. When the light is activated, one of these wires will switch to +12 VDC. This is the vehicle's switching wire.
- On a negative switched system, with all the doors closed and the lights out, both wires at the dome light will rest at +12 VDC. When the light is activated, one of these wires will switch to ground. This is the vehicle's switching wire.

For positive switched systems, connect the Purple / Brown (Lamp Auto) wire to the vehicle's switched wire. Then connect the Red / Black (Lamp ON) wire to a fused constant 12 volt source and the Black / Red (Lamp Common) wire to a good ground. Positive switched systems are commonly found on Ford vehicles.

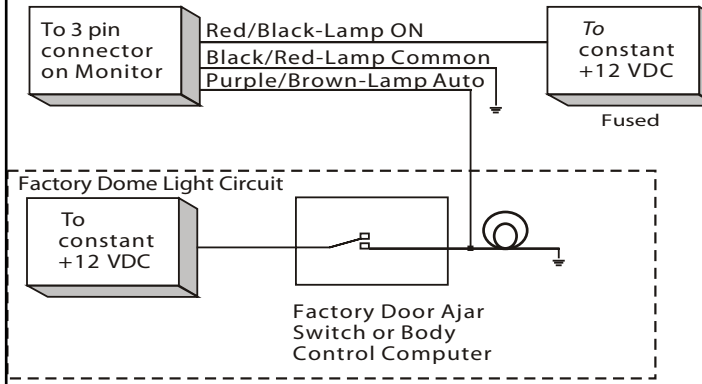
For negative switched systems, connect the Purple / Brown (Lamp Auto) wire to the vehicle's switched wire. Then connect the Red / Black (Lamp On) wire to a good ground and the Black / Red (Lamp Common) wire to a fused constant 12 volt source. Negative switched systems are commonly found on General Motors and import vehicles.

**NOTE:** *Some vehicles which incorporate transistorized control of the dome light circuit, such as the 1999 Dodge Caravan, may require that the Purple / brown (Lamp Auto) wire be connected to the door pin switch wire, as the additional current draw of the monitor's lights may not be supported by the output of the vehicle's body control computer.*

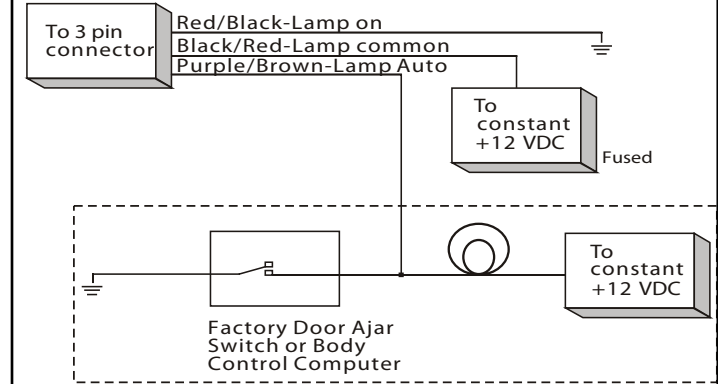
**After wiring the dome lights make sure the dome lights operate properly with doors opening and closing and that they are not always on. Do not leave the dome lamp switch on the DVD overhead in ON position as this will drain the battery over time.**

## CONNECTING THE DOME LIGHTS

### Positive Switched Dome Lighting



### Negative Switched Dome Lighting

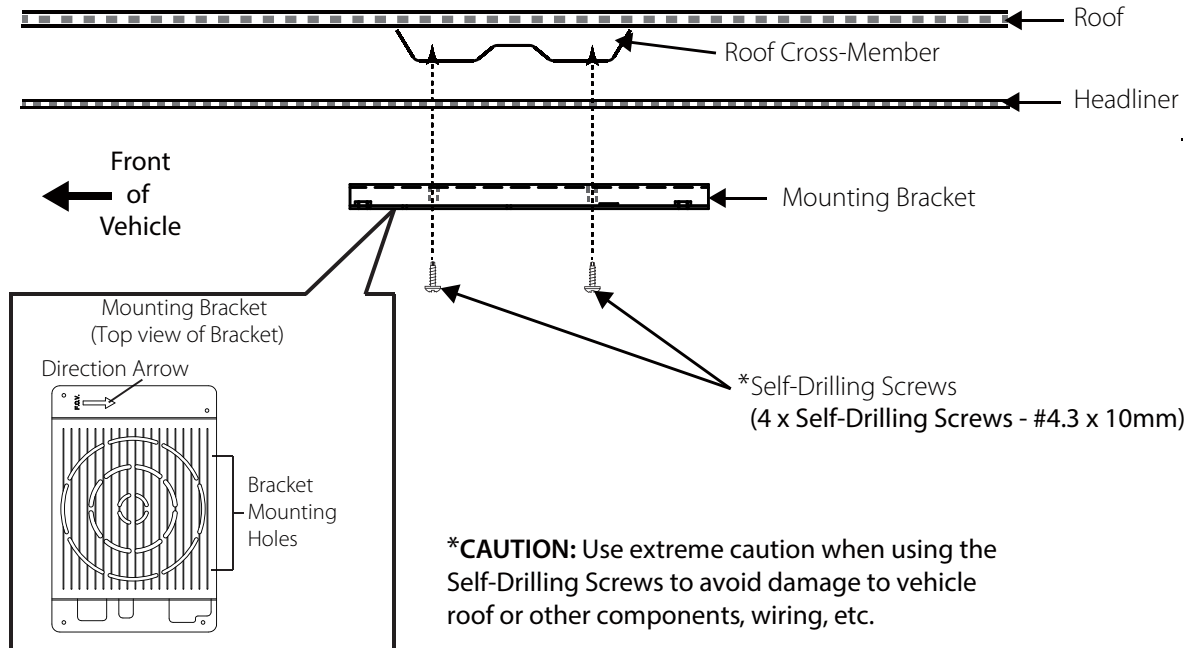


## INSTALLING THE MOUNTING BRACKET

### Installing the Mounting Bracket

1. Once all the pre-wiring is complete, locate:
  - Mounting Bracket
  - (4) #4.3 x 10mm Self-Drilling Screws
2. Carefully align the Mounting Bracket in the location it is to be installed with direction arrow facing the front of the vehicle (make sure there is nothing between the Mounting Bracket and Roof Cross-Member).
3. While holding the Mounting Bracket in place, install the 4- #4.3 x 10mm Self-Drilling Screws.  
**CAUTION:** Be sure that the Self-Drilling Screws do not pierce the outer roof skin when fully fastened to the Roof Cross-Member.

**NOTE:** The headliner may need to be cut to install the bracket. When cutting the headliner, make sure no wires above the headliner are cut.

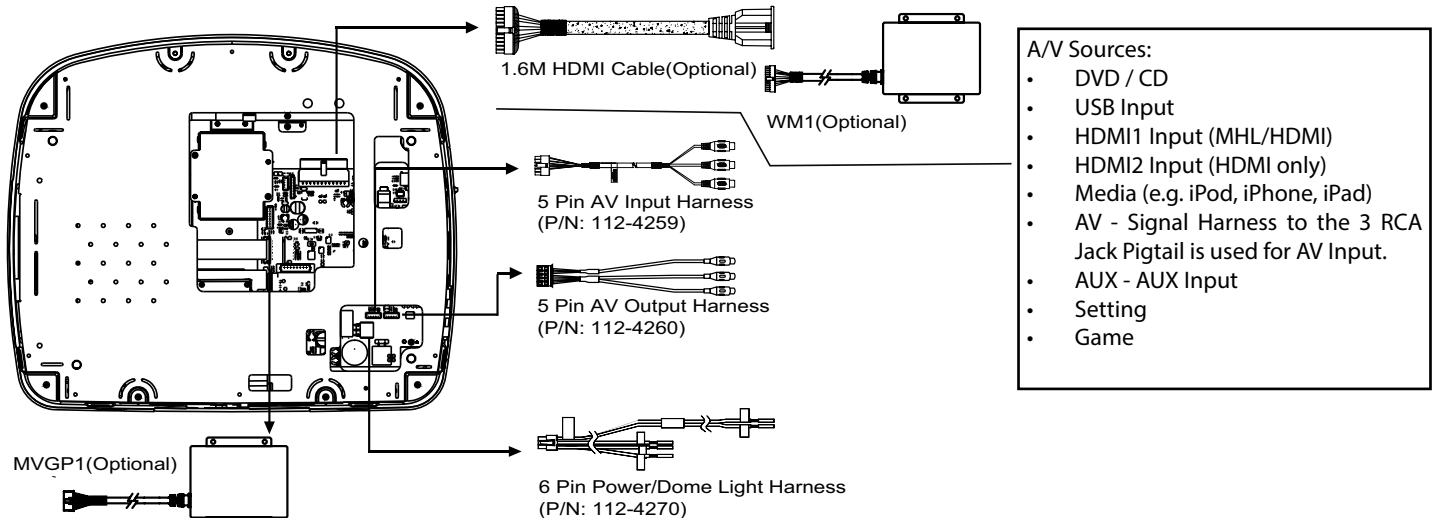


## INSTALLING THE ADVEXL12A VIDEO SYSTEM - WIRING DIAGRAM

1. Connect the dome light wires as shown on pages 10 and 11 of this install manual.
2. Connect the input power wires of the 6 pin Power/Dome Light Harness to the vehicle's electrical system by tapping into an accessory hot line and a good ground. **NOTE: This connection must be fused at the vehicle connection point.**
3. Plug the 6 pin Power/Dome Light Harness into the unit in the location shown.
4. If connecting to an external source, plug in the 5 pin AV Input Harness (P/N: 112-4259) in the location shown. Connect RCA cables (not supplied) to the external source's AV Output.
5. If connecting to a second screen AUX Input or head unit AUX Input, plug in the 5 pin AV Output Harness in the location shown and connect RCA cables (not supplied) to the AV Input of the second screen or head unit.
6. Verify all system functions before permanently mounting the unit.

**\*NOTE: The antenna has been designed for optimal performance. When installing the unit, position the antenna for best reception.**

### WIRING DIAGRAM



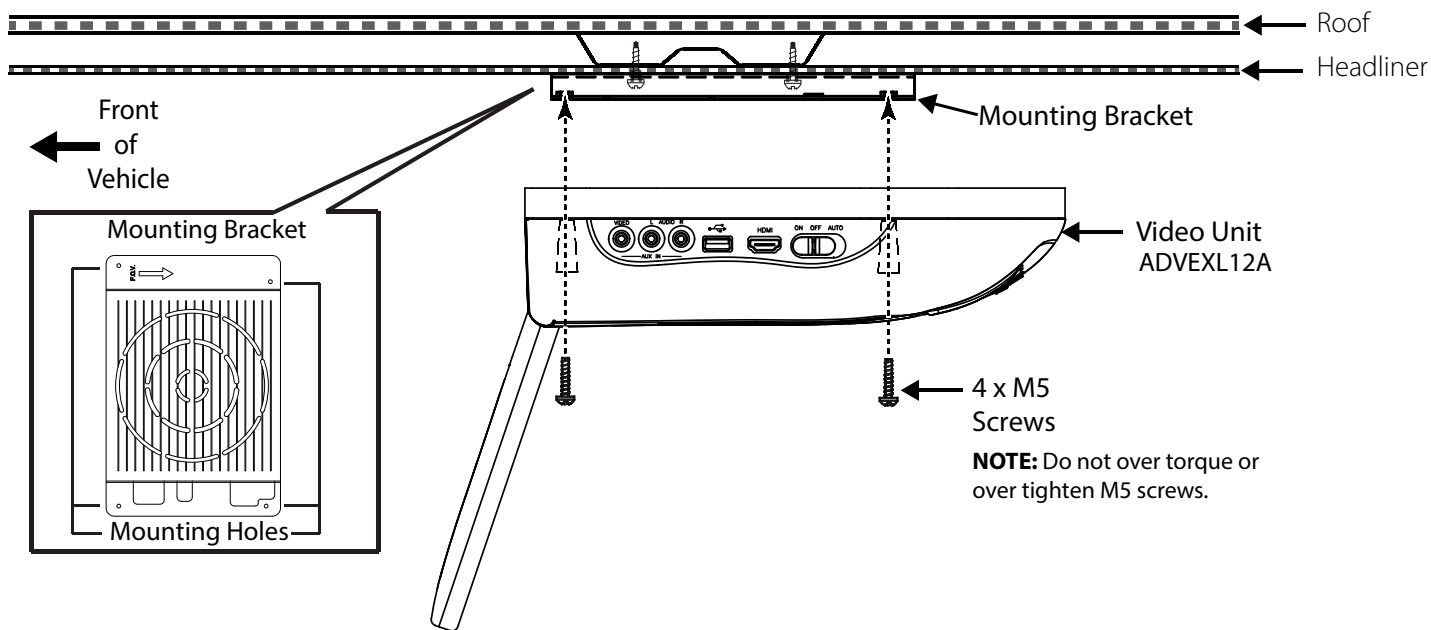
## INSTALLING ADVEXL12A VIDEO SYSTEM - MOUNTING THE UNIT

### Installing the ADVEXL12A System

1. Make all electrical connections.
2. Attach the ADVEXL12A unit to the mounting bracket using four M5 screws.

**CAUTION:** The M5 screws are supplied in three different lengths (10mm, 20mm and 40mm) to facilitate proper installation. Use extreme caution when using these screws to avoid damage to vehicle roof or other components, wiring, etc.

**CAUTION:** Do not trap any wiring between the bracket and the unit.



**NOTE:** Do not over torque or over tighten M5 screws.

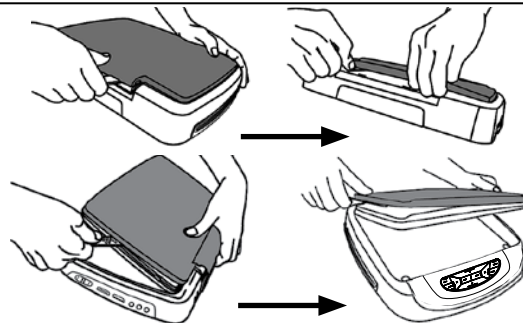


## APPENDIX A - REMOVING THE TRIM RING, SNAP-ON SHROUD AND SCREEN COVER

This section is intended for situations where the color of the Shroud, Screen Cover and Trim Ring need to be changed after the unit is setup for installation. **NOTE: Work on a soft surface to avoid damaging the plastic.**

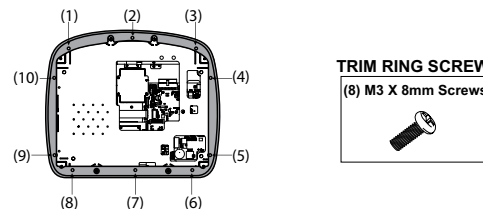
### Removing the Screen Back Cover

1. Starting from the back of the unit, carefully insert the supplied pry tool between the Housing and Screen Back Cover
2. Press the pry tool to release the Screen Back Cover.
3. While lifting the Screen Back Cover, slide the pry tool around to the attaching areas and press the pry tool to release the Screen Back Cover.
4. Remove the Screen Back Cover and discard.



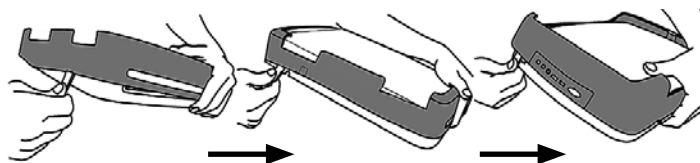
### Removing the Trim Ring

1. Remove the Trim Ring screws ((10) M3 x 8mm screws).  
**NOTE: Do not Discard Screws! These screws are used to attach the new Trim Ring.**
2. Remove the Trim Ring and discard.



### Removing the Shroud

1. Using the supplied pry tool, remove the slide knob from the dome light switch located on the side of the DVD player.  
**NOTE: Do not Discard knob! The knob is reused.**
2. Open the screen and insert the supplied pry tool between the Housing and Shroud and disengage the tape on the center section of the shroud.
3. Press the pry tool to disengage the attaching Shroud clips.
4. Continue disengaging the attaching areas around the unit removing the Shroud and discard.

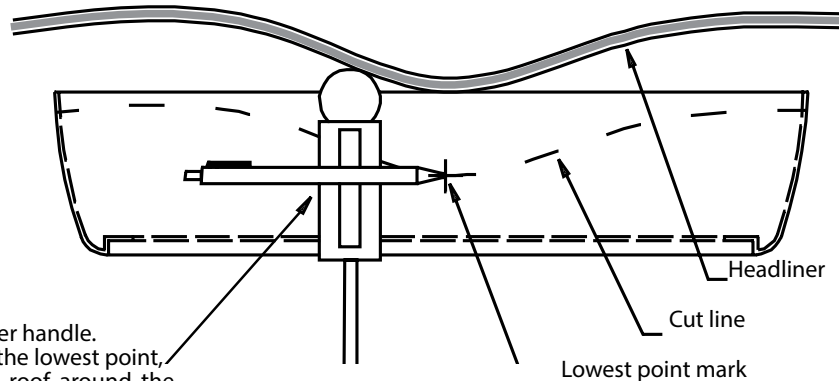


## APPENDIX B - INSTALLING THE OPTIONAL THICK TRIM RING

This section covers only special installation considerations for the optional thick trim ring installation. If the video monitor is to be installed in a vehicle with the thick trim ring, it may need to be trimmed to fit the contour of the vehicle Headliner.

Important NOTES before installing the thick trim ring:

- There should be a gap between the headliner and the outer flange of the video monitor.
  - The trim ring should be cut to fill this gap.
1. Apply masking tape to the outside of the thick trim ring.
  2. Mark the cut line to follow the necessary contour of the roof. The suggested method of marking is as follows:
    - a. First mark the narrowest point of the trim ring on the masking tape. Be careful to consider not only vertical location, but fore-aft location.
    - b. Using the handle of a screwdriver, make a "transfer marking tool". See diagram below. Place the tool against the roof and the marker against the masking tape on the trim ring. Trace the cut to be made around the entire perimeter of the trim ring.
  3. Cut the trim ring using a sharp utility knife or shears. Make the cut in several passes over the marked line, each time cutting a little deeper. It is not necessary to cut completely through the plastic, the cut only need be over 50% of the wall thickness of the plastic. By bending the cut back and forth several times, the plastic will break cleanly at the cut.
  4. Check the fit of the trimmed console and make any minor adjustments necessary.



Tape marker to screwdriver handle. Starting at your mark for the lowest point, trace the contour of the roof around the perimeter of the trim ring.

## APPENDIX C - INSTALLING THE OPTIONAL GAME MODULE (MVGP1)

This section is intended as an installation guide to connect the MVGP1 Game Module to the ADVEXL12A video system.

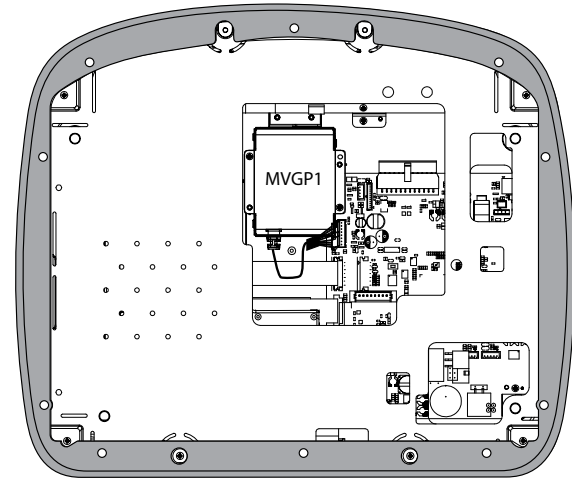
**NOTE:** The MVGP1 Game Module is sold separately and is supplied with its own instruction manual.

### Installing the MVGP1 Game Module

1. Turn the DVD Player over on a surface with protective covering to prevent scratches.
2. Begin looping the excess MVGP1 Game Module harness under the protective top plate towards the back of the DVD player as shown.
3. Place the MVGP1 Game Module onto the mounting standoffs.
4. Locate the two #2.6 x 6mm Phillips Self Tapping Screws in the ADVEXL12A hardware kit.
5. Using a screwdriver, install the two screws into the two locations shown.

**NOTE:** Use caution tightening screws as the threads may strip in the DVD Player.

6. Insert the 8-pin connector of the MVGP1 Game Module harness into the location shown.
7. Verify Game Module and Game Controllers function properly (refer to Owner's Manual).



Top of ADVEXL12A Video System

## APPENDIX D - INSTALLING THE OPTIONAL SMARTSTREAM MODULE (WM1)

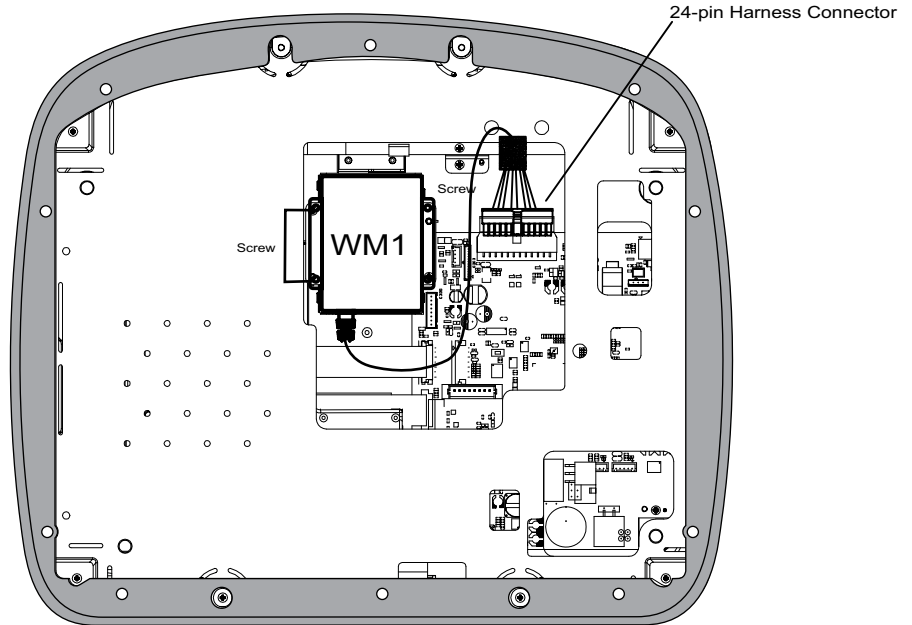
This section is intended as an installation guide to connect the WM1 Module to the Unit

**NOTE:** *The WM1 Module is sold separately and is supplied with its own instruction manual.*

### Installing the WM1 Module

1. Turn the DVD Player over on a surface with protective covering to prevent scratches.
2. Begin looping the excess WM1 Module harness under the protective top plate towards the back of the DVD player as shown.
3. Place the WM1 Module onto the mounting standoffs.
4. Locate the four #2.6 x 6mm Screws in the Unit hardware kit.
5. Using a screwdriver, install the four screws into the four locations shown.

**NOTE:** *Use caution tightening screws as the threads may strip in the assembly.*



Back of Unit

## TROUBLESHOOTING

SYMPTOM:	REMEDY:
No power at video monitor	<ul style="list-style-type: none"> <li>• Verify +12 VDC on the Red wire at 6 Pin Power/Dome Light Harness behind the video monitor. Verify a ground connection with a continuity test from a known good ground to the black wire.</li> </ul>
Power but no video or sound	<ul style="list-style-type: none"> <li>• Verify that the correct source is selected (DVD, USB, HDMI1, HDMI2, Media, AV, AUX, Game). Verify that the source is on and playing a known good media.</li> </ul>
Disc will not play or wrong region is displayed	<ul style="list-style-type: none"> <li>• Check the type of disc you put into disc slot and is inserted in the correct position. <b>NOTE: The DVD system only plays digital video discs, audio CDs and MP3s.</b></li> <li>• Both the unit and the disc are coded by region. If the regional codes don't match, the disc can't be played. This DVD player is set to Region 1.</li> </ul>
IR Wireless Headphones do not work	<ul style="list-style-type: none"> <li>• Check if batteries are installed correctly.</li> <li>• Make sure that the headphone batteries are fresh.</li> <li>• Check if Power Button lights up when pressed. If Power Button does not light up when pressed, change batteries.</li> <li>• If using Dual Channel Wireless Headphones, make sure the correct channel is selected.</li> <li>• Make sure the IRT power is ON. Press the IRT ON/OFF button on the remote control and IRT ON or IRT OFF is displayed.</li> </ul>
Game source does not work	<ul style="list-style-type: none"> <li>• The Game Source can not be selected if the MVGP1 Game Module is not installed. Make sure the MVGP1 Game Module is installed and plugged in.</li> </ul>

## TROUBLESHOOTING

SYMPTOM:	REMEDY:
FM Modulator does not work	<ul style="list-style-type: none"><li>• Check if radio is ON and in FM mode.</li><li>• Check that radio is tuned to the same frequency as the unit is set to.</li><li>• Select another FM channel.</li><li>• Reposition the ADVEXL12A Wireless FM antenna for better reception.</li><li>• Install an FMDIRB (ordered separately).</li></ul>
Remote Control does not work	<ul style="list-style-type: none"><li>• Check if the battery is installed correctly.</li><li>• Make sure that the remote control battery is fresh.</li><li>• The remote control is a dual function remote control, make sure M1/M2 is selected correctly.</li></ul>
HDMI source does not work with smartphone	<ul style="list-style-type: none"><li>• A special adapter is required to connect a smartphone to the HDMI input. Contact the smartphone service provider for ordering information on the appropriate adapter.</li></ul>

## NOTES



For Customer Service  
Visit Our Website At  
**[www.adventproducts.com](http://www.adventproducts.com)**  
Product Information, Photos,  
FAQ's, Owner's Manuals