

# ADVUNI300

## 6.2" Double DIN Multimedia Receiver

DVD / NAV / SiriusXM-Ready® / Built-in Bluetooth / Pandora  
Compatible with iPhone / Compatible with iPod / USB / Aux In

## INSTALLATION GUIDE



### What's in the Box

The following items are supplied with the ADVUNI300:

- ADVUNI300 Head Unit
- Trim Ring
- Hardware Bag
- Power/Speaker Output Harness
- Remote Control
- External Microphone
- GPS Antenna
- Owners Manual & Warranty Card
- Installation Guide

### Tools and Supplies

The following tools and supplies are needed to install the ADVUNI300:

- Torx type, flat-head and Philips screwdrivers
- Wire cutters and strippers
- Tools to remove existing radio (screw driver, socket wrench set or other tools)
- Electrical tape
- Crimping tool
- Volt meter/test light
- Crimp connections
- 18 gauge wire for power connections
- 16 – 18 gauge speaker wire

**WARNING!** Never install this unit where operation and viewing could interfere with safe driving conditions.

## Steering Wheel Control (SWC) Ready

The recommended SWC Interface is the PAC SWI-RC steering wheel control adapter.

### SWI-RC installation hints:

1. Set "Radio Select Switch". Set the SWI-RC to position 7 - "Pioneer/Sony/Other".
2. Programming - Use the Pioneer/Sony/Other radio function mapping order for Jensen branded head units.
3. When programming the SWI-RC, if a function is not supported (or not desired), then the function **MUST** be skipped as per the PAC SWI-RC instructions.
4. The SWC functions **MUST** also be programmed in the correct order per the PAC SWI-RC radio function mapping order

## Disconnect the Battery

- To prevent a short circuit, be sure to turn off the ignition and remove the negative (-) battery cable prior to installation.  
**NOTE: If the ADVUNI300 is to be installed in a car equipped with an on-board drive or navigation computer, do not disconnect the battery cable. If the cable is disconnected, the computer memory may be lost. Under these conditions, use extra caution during installation to avoid causing a short circuit.**

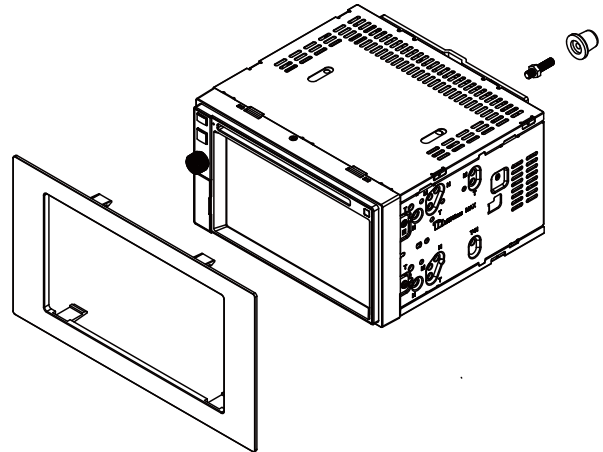
## Replacing the Fuse

- When replacing the vehicles Radio fuse always use the proper rated replacement fuse. Using a fuse with an improper rating could damage the unit and cause a fire.

## ISO-DIN Installation

The ADVUNI300 is designed to fit into a 2.0 DIN dashboard opening. The unit has threaded holes in the chassis side panels which may be used with the original factory mounting brackets of some Toyota, Nissan, Mitsubishi, Isuzu, Hyundai and Honda vehicles to mount the radio to the dashboard. Please consult with your local car stereo specialty shop for assistance on this type of installation.

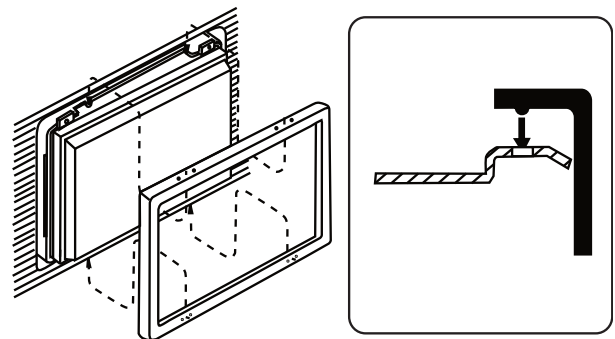
1. Remove the existing factory radio from the dashboard or center console mounting. Save all hardware and brackets as they will be used to mount the new radio.
2. Remove the factory mounting brackets and hardware from the existing radio and attach them to the new radio.  
**CAUTION! Do not exceed M5 X 6MM screw size. Longer screws may damage components inside the chassis.**
3. Place the radio in front of the dashboard opening so the wiring can be brought through the mounting sleeve. Follow the wiring diagram carefully and make certain all connections are secure and insulated with wire nuts or electrical tape. After completing the wiring connections, plug the connector into the mating sockets on the rear of the chassis. Turn the unit on to confirm operation (vehicle ignition switch must be "ON"). If the unit does not operate, re-check all wiring until the problem is corrected.
4. Mount the new radio assembly to the dashboard or center console using the reverse procedure in step 1 above.  
**CAUTION! Be careful not to damage the car wiring.**



**NOTE: It is the end-users responsibility to install and operate this unit in a manner in accordance with local, state and federal laws. The PARKING BRAKE wire MUST BE CONNECTED as directed in the manual.**

## Using the Cosmetic Trim Ring

A cosmetic trim ring is supplied with the head unit for installation flexibility. This unit will fit into most import dashes with little or no modification to the dash board/cavity. Some US domestic vehicle dashes will accept a Double-DIN chassis, but there is usually a small gap between the radio and dash piece after installation is complete. In this case, use the trim ring to conceal any gaps that may be present.

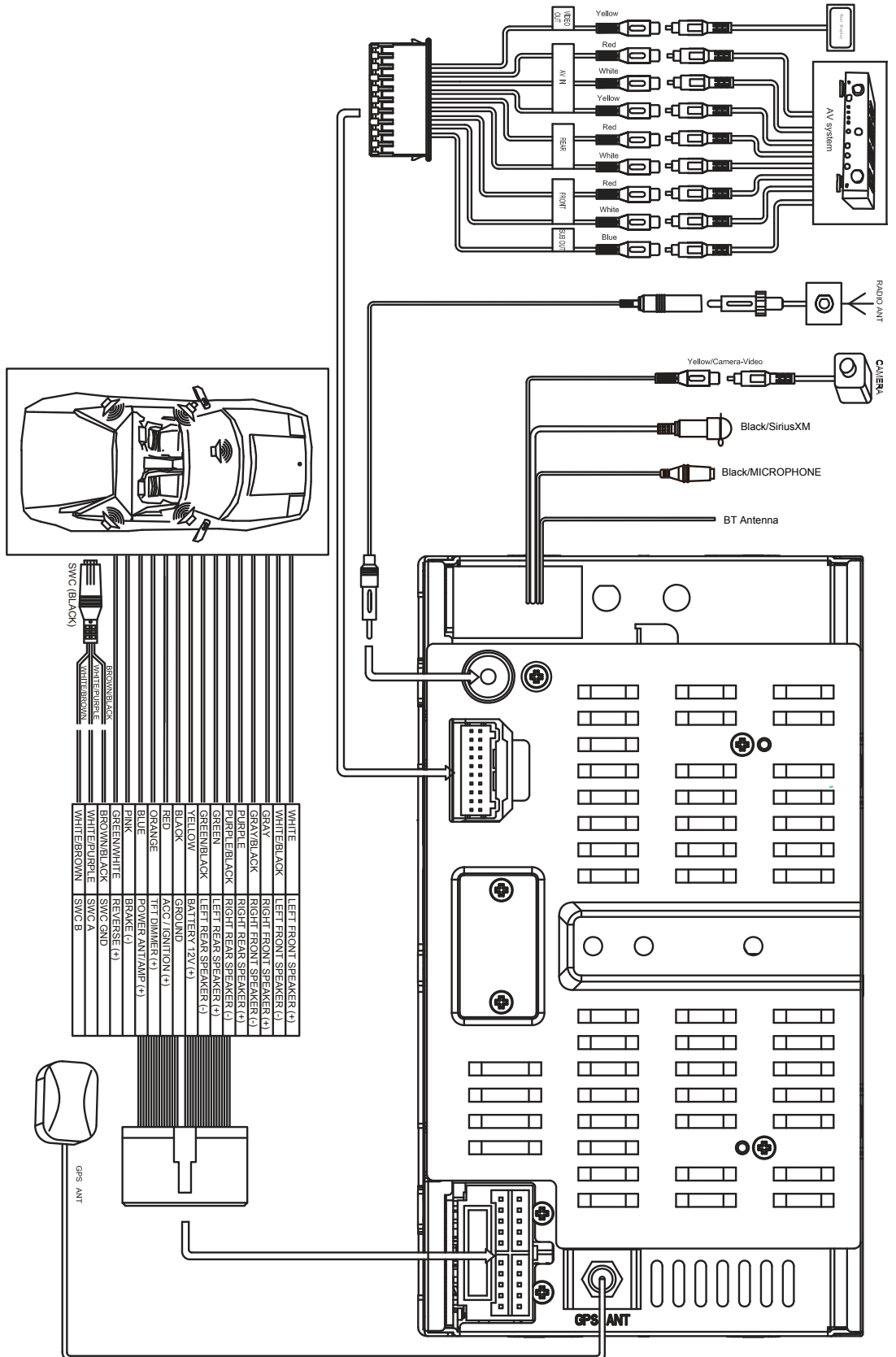


**NOTE: For proper operation of the CD/DVD player, the chassis must be mounted within 30° of horizontal. Make sure the unit is mounted within this limitation.**

# Wiring Diagram

**CAUTION! IMPORTANT:** Incorrect wiring connections can damage the unit. Follow the wiring instructions carefully, or have the installation handled by an experienced technician.

**Need Help?** For technical assistance, call customer support line at 1-800-323-4815.



Some vehicles may not support all SWC functions. Professional Installation is recommended.



**Voxx Electronics Corporation**  
**Hauppauge, NY 11788**  
**Technical Assistance: 1-800-323-4815**  
**[www.adventproducts.com](http://www.adventproducts.com)**  
**© 2015 Printed**  
**in China**