

12 Month Limited Warranty

Audiovox Electronics Corporation (the company) warrants to the original purchaser of this product that should this product or any part thereof, under normal use and conditions, be proven defective in material or workmanship within 12 months from the date of original purchase, such defect(s) will be repaired or replaced with reconditioned product (at the company's option) without charge for parts and repair labor. To obtain repair or replacement within the terms of this warranty, the product along with any accessories included in the original packaging is to be delivered with proof of warranty coverage (e.g. dated bill of sale), specification of the defect(s), transportation prepaid, to the company at the address shown below. DO NOT RETURN THIS PRODUCT TO THE RETAILER.

The warranty does not extend to costs incurred for the installation, removal or reinstallation of the product. The warranty does not apply to any product or part thereof which, in the opinion of the company, has suffered or been damaged through alteration, improper installation, mishandling, misuse, neglect, accident, or by removal or defacement of the factory serial number/bar code label(s). THE EXTENT OF THE COMPANY'S LIABILITY UNDER THIS WARRANTY IS LIMITED TO THE REPAIR OR REPLACEMENT PROVIDED ABOVE AND, IN NO EVENT, SHALL THE COMPANY'S LIABILITY EXCEED THE PURCHASE PRICE PAID BY PURCHASER FOR THE PRODUCT.

This warranty is in lieu of all other express warranties or liabilities. ANY IMPLIED WARRANTIES, INCLUDING ANY IMPLIED WARRANTY OF MERCHANTABILITY, SHALL BE LIMITED TO THE DURATION OF THIS WARRANTY. ANY ACTION FOR BREACH OF ANY WARRANTY HEREUNDER INCLUDING ANY IMPLIED WARRANTY OF MERCHANTABILITY MUST BE BROUGHT WITHIN A PERIOD OF 18 MONTHS FROM DATE OF ORIGINAL PURCHASE. IN NO CASE SHALL THE COMPANY BE LIABLE FOR ANY CONSEQUENTIAL OR INCIDENTAL DAMAGES FOR BREACH OF THIS OR ANY OTHER WARRANTY, EXPRESS OR IMPLIED, WHATSOEVER. No person or representative is authorized to assume for the Company any liability other than expressed herein in connection with the sale of this product.

Some states do not allow limitations on how long an implied warranty lasts or the exclusion or limitation if incidental or consequential damage so the above limitations or exclusions may not apply to you. This warranty gives you specific legal rights and you may also have other rights that vary from state to state.

Audiovox Electronics Corporation, 150 Marcus Blvd., Hauppauge, NY 11788

For customer service and technical information:: 1.800.290.6650

TERK and the TERK logo are registered trademarks of AUDIOVOX Corp.



For Customer Service
Visit Our Website At
www.terk.com
Product Information, Photos,
FAQ's, Owner's Manuals

HDRo_US_IB_00

HDRo

Owner's Manual



Indoor/Outdoor
Amplified HD Radio Antenna

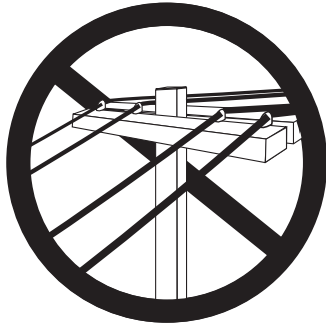
TERK

Safety Precautions

HDRo

Warning!

Use extreme caution when installing or removing an outdoor antenna that is located close to overhead wires such as power lines, telephone lines or cable TV lines. If any part of the antenna makes contact with overhead power lines, touching the antenna or the antenna cable can cause electrocution and death. If the antenna is in contact with any type of overhead wires, call your power company and ask them to send a qualified technician to remove the antenna. Do not attempt to remove it yourself!



Important Safety Precautions...

Many do-it-yourself and professional antenna installers are injured or killed each year by electric shock. While anyone can see the obvious danger of falling, the most resourceful sometimes fail to recognize overhead wires as being potentially lethal. To touch any part of the antenna to these overhead wires is the same as touching the wires with your bare hand. A very serious shock is almost sure to result when contacting an electrical wire, and in the case of primary wires on the top of poles, the shock is like being struck by a bolt of lightning. Many power wires are within 20 to 25 feet of the ground and could easily be touched by an assembled antenna.

1

HDRo

Please read and follow these important safety precautions:

- Be sure to select an antenna site well away from all overhead wires.
- Do not try to guess which overhead wires carry high voltage. Check with the Power Company.
- If you notice anything making contact with the overhead wires, call the Power Company to have it removed safely. Do not run the downlead cable over power wires.
- Get help from a qualified professional when removing the old antenna if there is any doubt of clearing overhead wires.
- Never install the antenna outdoors at night, when it is windy, or during rain or snow.
- Make sure the antenna installation is secure.
- Do not stand on, lean on, hang from or hang anything on the antenna once it is mounted.

Lightning Protection and Grounding

Always plug your radio and other electronics devices into a quality surge protector for maximum protection against lightning and power surges.

- Do not run the downlead cable over power wires.
- Make sure the antenna downlead is connected to suitable lightning arrestors.

All outdoor antenna installations should be properly grounded. To effectively protect the installation, the coaxial cable(s) should be grounded before they enter the house. The grounding of the coaxial cable is made using a "ground block" and copper wire (not supplied). For information and the materials needed to ground your antenna installation, visit your local electronics store.

2

About Your New TERK HDRo Antenna and HD Radio

HDRo

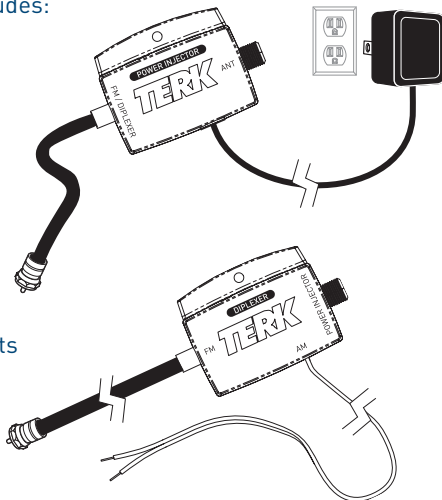
HD Radio (digital AM/FM transmission) is revolutionizing the way people experience radio. It provides the best of traditional-transmission radio (it's free and over-the-air), with the best of digital, CD-quality sound. The performance of HD Radio is noticeably better than regular radio—no more buzzing, static or channel overlap, just the clear music, sports, talk and news you want in your home. Stations broadcasting in HD will also be providing more content, with multiple broadcast channels in their frequency band, so you'll get more from the stations you already love.

Terk has been the leader in antenna technology for more than 20 years and has been making HD Radio capable antennas since its inception. To maximize your enjoyment of the HD Radio content available, you need an antenna that's designed and engineered for better performance. Terk's line of HD Radio antennas offers consumers the best in design, style and engineering to receive these crystal clear digital signals. Terk's high-gain, ultra-low-noise amplified antennas will ensure you get the best possible reception. Terk HD Radio Antennas also significantly enhance the performance of the traditional analog broadcast.

Your Terk HDRo antenna is designed for both single and multifamily homes. The HDRo's unique antenna technology produces the clearest and cleanest signals available, from a compact, unobtrusive design that blends well with any home décor. The HDRo's weatherproof, hermetically sealed housing offers ultra-reliable performance year after year. No assembly of the antenna is required. The HDRo comes with all necessary mounting hardware for flexible placement indoors or out.

Your HDRo Antenna Includes:

- (1) HDRo Antenna
- (1) Mounting Bracket
- (1) Power Injector with 110v AC to DC power adapter
- (1) Diplexer/Band Separator
- (2) U-bolts
- (2) U-Bolt Clamp Brackets
- (4) Wing Nuts
- (4) Lag Bolts
- (4) Cable Ties



3

HDRo

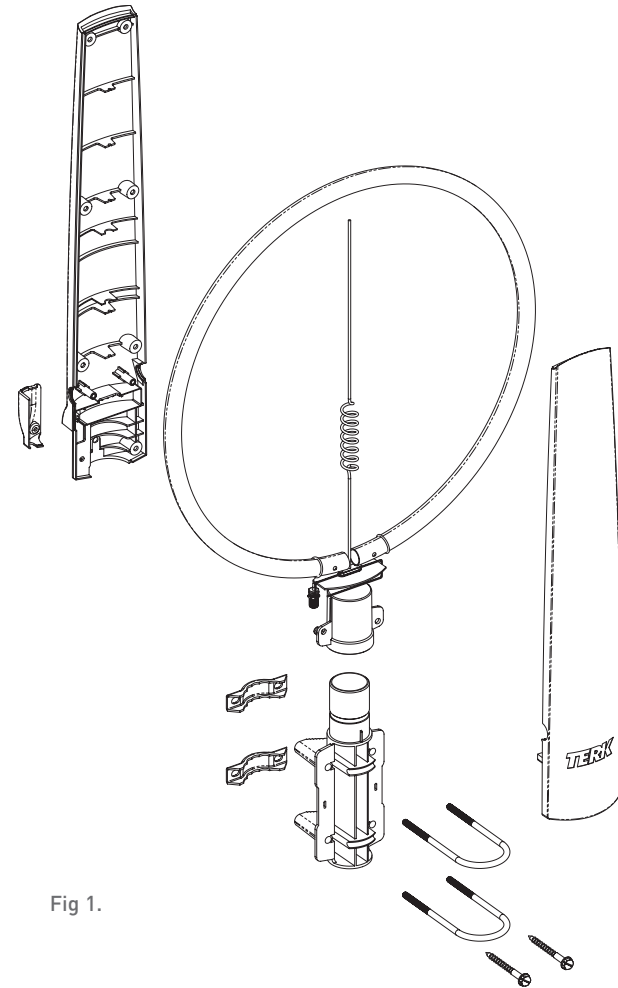


Fig 1.

4

Positioning the HDRo

HDRo

The HDRo must be mounted so that it has a clear line of sight to the radio broadcaster's towers (see Fig. 3). The higher the elevation of the antenna, the better the reception performance will be.

Please note that the HDRo antenna is an omni-directional antenna and can receive signals from any direction. However, you can also fine tune the antenna to your favorite station after mounting.

The HDRo can be mounted to a wall or soffit using the 4 lag bolts to mount the mounting bracket. The HDRo can also be mounted to a standard antenna mast using the supplied u-bolts, u-bolt clamp brackets and wing nuts.

Once mounted the antenna can be rotated on it's mounting bracket if needed. To fine tune the HDRo once mounted:

1. Use the included hex key (Allen wrench) to loosen the set screw on the antenna housing where indicated by an arrow.
2. Lift the antenna up off the internal indexing cup. Be careful not to lose the set screw.
3. Rotate the antenna as needed to fine tune your reception. The indexing cup allows you to rotate the antenna in 10 degree increments.
4. Lower the antenna back on to the indexing cup and lock in place with the set screw (see Fig. 2).

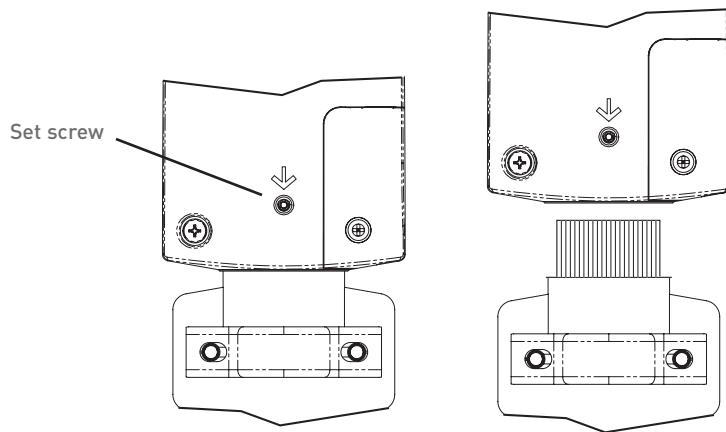
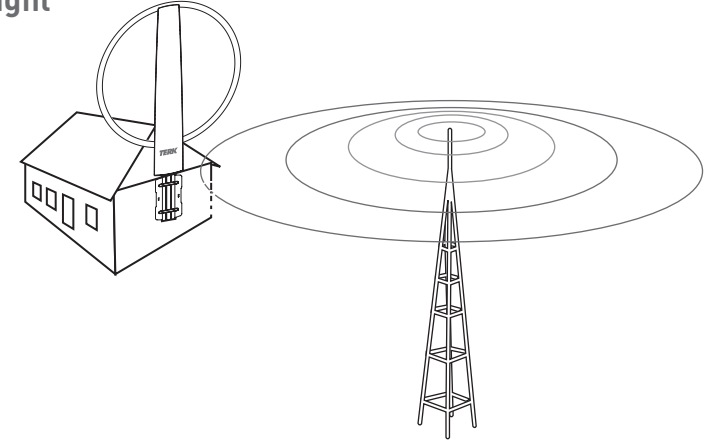


Fig 2.

5

Right

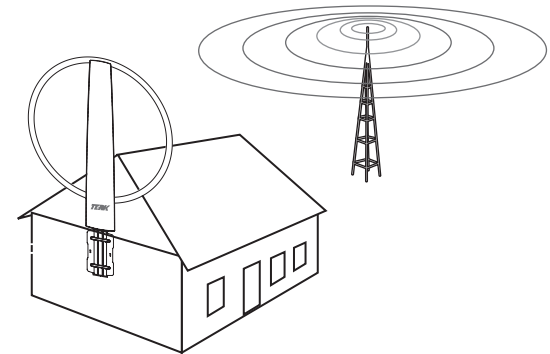
HDRo



On the side of the house facing the broadcast tower

Fig 3.

Wrong



Not on the side of the house facing the broadcast tower

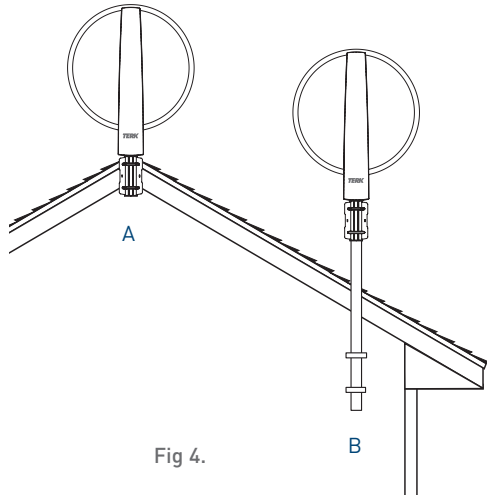
6

Mounting the HDRo Antenna

HDRo

Mounting Options:

For Best performance, the HDRo should be mounted outdoors in a high location (such as a roof). It can also be mounted on a standard antenna mast (not included), which can be mounted to the side of your house or a chimney. You can also mount the HDRo in your attic. However, mounting the antenna inside the attic can degrade the performance of the antenna.



The HDRo can be mounted:

- with the bracket and 4 included lag bolts to a flat surface
- OR
- with the bracket and 2 included u-bolts, clamps and 4 wing nuts to a mast (not included)

NOTE: Do not install the HDRo on any metal surface, including aluminum siding. Mounting on a metal surface will seriously degrade reception quality.

WARNING: Never hang anything from the HDRo or attach foreign objects to the HDRo.

NOTE: When using a mast to mount the HDRo, it is recommended that you first install the mast at the desired location, and then attach the antenna to the mast.

7

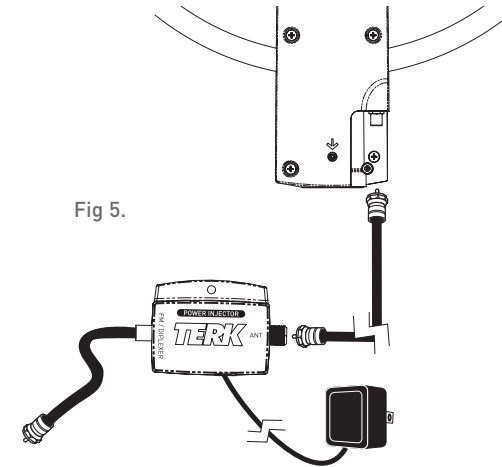
Connecting the HDRo to a Radio

HDRo

1. Connect RG6 coaxial cable to the HDRo antenna and run the cable into the room where your radio is located.

Connect the other end of the coaxial cable to the supplied Power Injector to the terminal labeled "ANT". (See fig. 5)

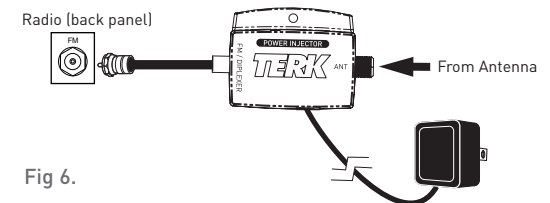
NOTE: Do not plug in the Power Injector yet.



2. The way you connect the Power Injector to your radio depends on the type of connection your radio offers.

If your radio only has an "F" connector for FM and no connections for AM:

Connect the coaxial cable from the Power Injector labeled "FM / DIPLEXER" directly to the FM input of your radio.



Skip to step 3 on the next page.

8

Continues on next page...

If your radio has both separate antenna connections for AM and FM:

Use the included Diplexer to make the connection. Connect the coaxial cable from the Power Injector labeled "FM / DIPLEXER" to the supplied Diplexer (Band Separator) to the terminal labeled "POWER INJECTOR"

Then, connect the coaxial cable from the Diplexer labeled "FM" to the FM input "F" connector on your radio. Connect the twin lead wire from the Diplexer labeled "AM" to the AM input on your radio. Note that the wire with the white stripe is the positive (+) connection. If your radio's AM connection is color coded black and red, connect the wire with the white stripe to the red connector.

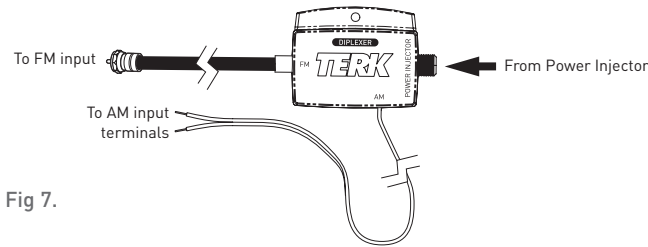


Fig 7.

3. Plug the Power Adapter from the Power Injector into a standard AC outlet.

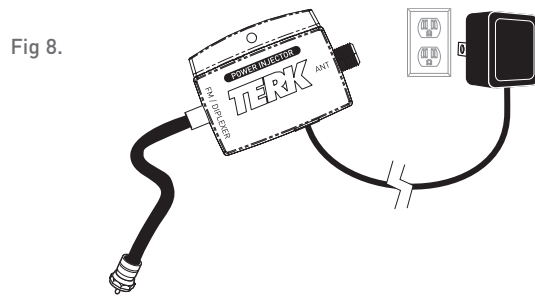


Fig 8.

Avoiding Water Damage

Water Damage Prevention:

At the point where your coaxial cable lead enters the house, you should allow for some slack in the coaxial cable as a "drip loop." This will prevent moisture from running down the coaxial cable and entering the house.

Run the coaxial cable approximately six inches below the wall entry point and then turn it upwards towards this spot (see Fig 9). Any moisture that accumulates on the coaxial cable will drip off in the bend instead of running into the house. You should seal the point where the cable enters your home with a rubber weather insulator or silicone caulking (not included). An "F" connector wall plate can be used inside the home to cover the inside portion of the hole. You can typically find an "F" connector wall plate at any local electronics or hardware store.

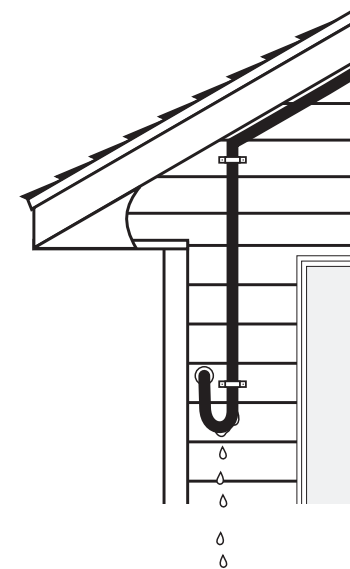


Fig 9.

Need more help?

Call 1-800-290-6650 for Technical Support Monday through Friday 9:00AM to 5:00PM EST, or contact us at www.terk.com.

If your radio has a connection not mentioned in this manual, contact Terk for the appropriate adapter.