



# JENSEN<sup>®</sup>

## VX7012 / VX4012

### Installation / Quick Start Guide

Complete operation manuals are  
online at [www.jensenmobile.com](http://www.jensenmobile.com)

**Note: There is no operation manual in this package**



#### **What's in the Box**

The following items are supplied with the VX7012/VX4012:

- Head Unit
- GPS Antenna (VX7012 Only)
- Trim Ring
- Hardware Bag
- Power/Speaker Output Harness
- Remote Control
- External Microphone
- Mounting Sleeve & Removal Keys
- Installation / Quick Start Guide

#### **Tools and Supplies**

The following tools and supplies are needed to install the head unit:

- Torx type, flat-head and Philips screwdrivers
- Wire cutters and strippers
- Tools to remove existing radio (screw driver, socket wrench set or other tools)
- Electrical tape
- Crimping tool
- Volt meter/test light
- Crimp connections
- 18 gauge wire for power connections
- 16 – 18 gauge speaker wire

**WARNING!** Never install this unit where operation and viewing could interfere with safe driving conditions.

## Steering Wheel Control (SWC) Ready

The recommended SWC Interface is the PAC SWI-RC steering wheel control adapter.

### SWI-RC installation hints:

1. Set "Radio Select Switch". Set the SWI-RC to position 7 - "Pioneer/Sony/Other".
2. Programming - Use the Pioneer/Sony/Other radio function mapping order for Jensen branded head units.
3. When programming the SWI-RC, if a function is not supported (or not desired), then the function **MUST** be skipped as per the PAC SWI-RC instructions.
4. The SWC functions **MUST** also be programmed in the correct order per the PAC SWI-RC radio function mapping order instructions.

## Disconnect the Battery

To prevent a short circuit, be sure to turn off the ignition and remove the negative (-) battery cable prior to installation.

**NOTE: If the head unit is to be installed in a car equipped with an on-board drive or navigation computer, do not disconnect the battery cable. If the cable is disconnected, the computer memory may be lost. Under these conditions, use extra caution during installation to avoid causing a short circuit.**

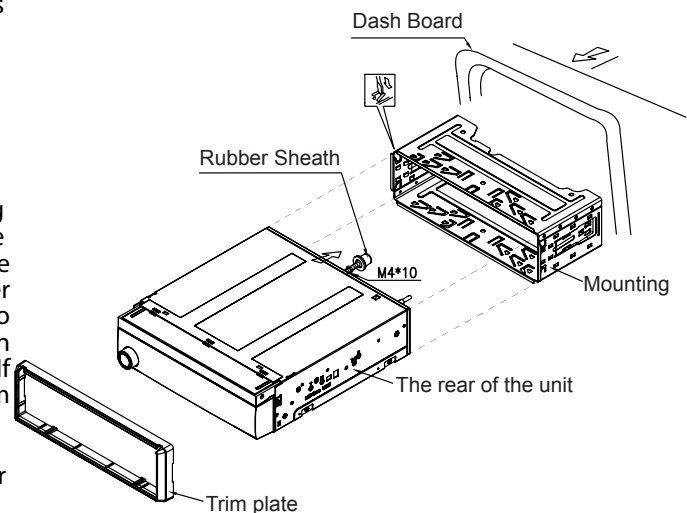
## Replacing the Fuse

When replacing the vehicles radio fuse always use the proper rated replacement fuse. Using a fuse with an improper rating could damage the unit and cause a fire.

## ISO-DIN Installation

The head unit is designed to fit into a 1.0 DIN dashboard opening. The unit has threaded holes in the chassis side panels which may be used with the original factory mounting brackets of some Toyota, Nissan, Mitsubishi, Isuzu, Hyundai and Honda vehicles to mount the radio to the dashboard. Please consult with your local car stereo specialty shop for assistance on this type of installation.

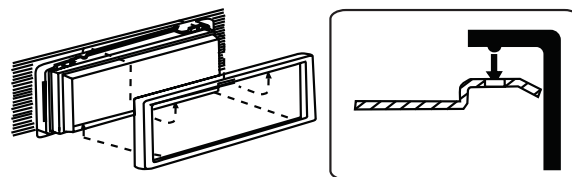
1. Remove the existing factory radio from the dashboard or center console mounting. Save all hardware and brackets as they will be used to mount the new radio.
2. Remove the factory mounting brackets and hardware from the existing radio and attach them to the new radio.  
**CAUTION! Do not exceed M5 X 6MM screw size. Longer screws may damage components inside the chassis.**
3. Place the radio in front of the dashboard opening so the wiring can be brought through the mounting sleeve. Follow the wiring diagram carefully and make certain all connections are secure and insulated with wire nuts or electrical tape. After completing the wiring connections, plug the connector into the mating socket on the rear of the chassis. Turn the unit on to confirm operation (vehicle ignition switch must be "ON"). If the unit does not operate, re-check all wiring until the problem is corrected.
4. Mount the new radio assembly to the dashboard or center console using the reverse procedure in step 1 above.  
**CAUTION! Be careful not to damage the car wiring.**



**NOTE: It is the end-users responsibility to install and operate this unit in a manner in accordance with local, state and federal laws. The PARKING BRAKE wire MUST BE CONNECTED as directed in the manual.**

## Using the Cosmetic Trim Ring

A cosmetic trim ring is supplied with the head unit for installation flexibility. This unit will fit into most import dashes with little or no modification to the dash board/cavity. Some US domestic vehicle dashes will accept a Single-DIN chassis, but there is usually a small gap between the radio and dash piece after installation is complete. In this case, use the trim ring to conceal any gaps that may be present.



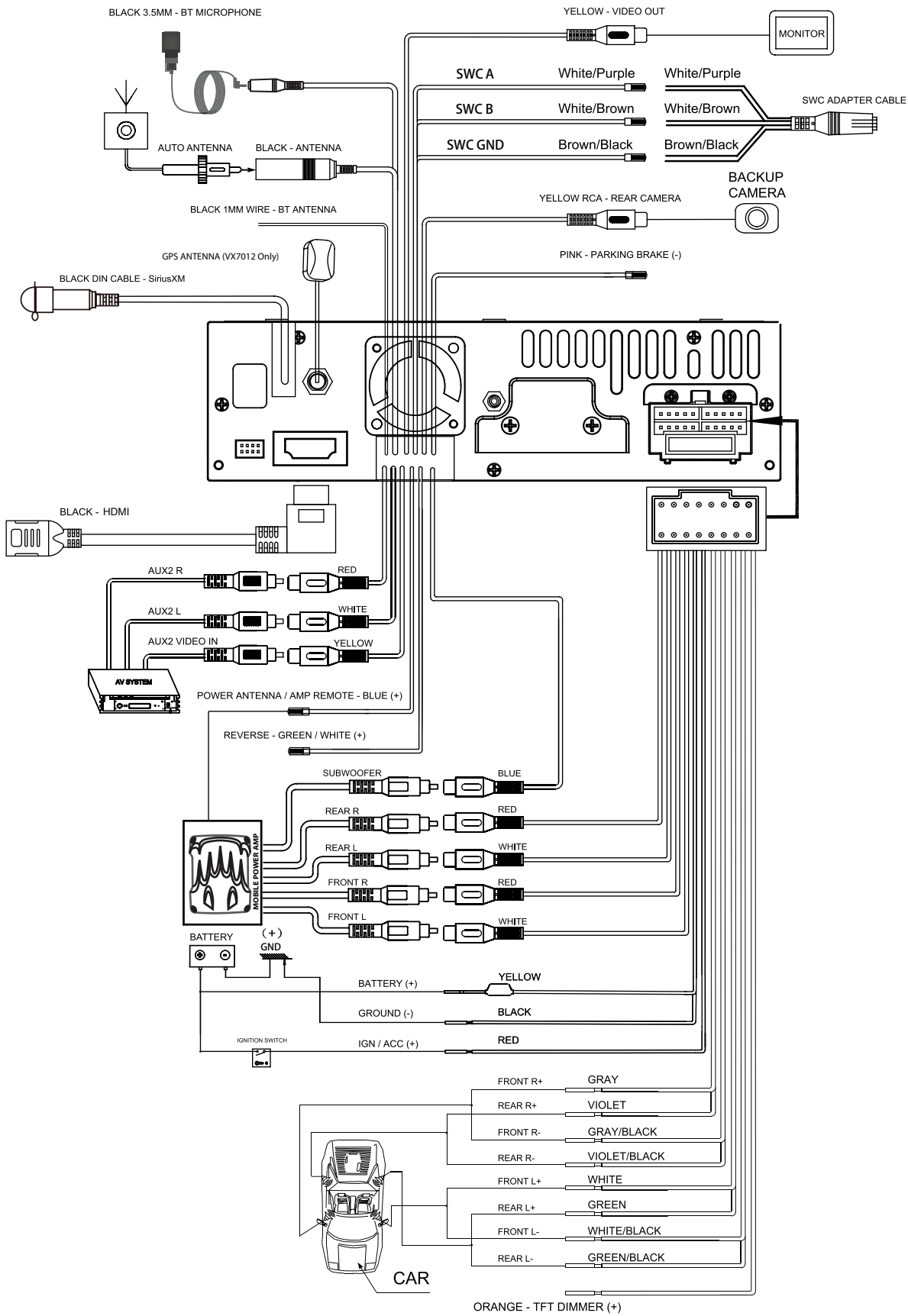
**NOTE: For proper operation of the CD/DVD player, the chassis must be mounted within 30° of horizontal. Make sure the unit is mounted within this limitation.**

# Wiring Diagram

**CAUTION! IMPORTANT: Incorrect wiring connections can damage the unit. Follow the wiring instructions carefully, or have the installation handled by an experienced technician.**

**Need Help?** For technical assistance, call the Jensen customer support line at 1-800-323-4815.

Some vehicles may not support all SWC functions. Professional installation is recommended.



## QUICK START GUIDE

### Turning the Unit ON or OFF

Press the front panel volume knob to turn the unit ON. Press and hold the volume knob > 1 second to turn the unit OFF.

### Selecting an Audio/Video Source, Phone, Steering Wheel Controls, Backup Camera or Pandora

To select a source:

1. Press the front panel MENU button or touch the SRC icon to view the Main Source Menu



2. Touch the desired source icon on one of the two main menu screens. Screen 1 of 2: Disc, Radio, USB, AV-IN1, Settings, Phone or Camera. Touch Next at the bottom of the screen to access Screen 2 of 2: Steering Wheel Controls (SWC), AV-IN2, Pandora or SiriusXM (SXM).

### Volume Adjustment / Turn On Volume

To increase or decrease the volume level, rotate the rotary encoder knob. The unit's front panel screen will display the volume level for 2 seconds. The volume level ranges from 0 to 50. To set the Turn-On volume, press and hold the rotary encoder knob 1 second while the green volume bar is displayed after setting the desired volume level. You will hear 2 beeps to confirm the new Turn-On volume level.

### Audible Beep Confirmation

An audible beep tone confirms each function selection. The beep tone can be disabled through the Setup menu.

### Muting the Audio

Press the front panel volume knob (Ⓞ) to mute the audio from the unit. Mute icon is displayed on the LCD screen. Press the front panel volume knob again to restore the audio volume to its previous level. Adjusting the volume or using any of the audio setup features cancels the mute function.

### Equalizer Controls

Equalizer (EQ): Adjustment can be made after entering one of the audio/video sources (Disc, Radio, USB, AV-IN or SXM). Touch the Equalizer (EQ) icon to view the Equalizer Control Screen to select a desired preset setting (Optimal, Classic, Rock, Jazz, Techno or Pop), Flat setting, custom User setting, make adjustments to the audio Balance and Fader levels or to turn the Loudness option ON or OFF. Touch the SRC icon to return to the current source.

**Voxx Electronics Corporation**

**Hauppauge, NY 11788**

**Technical Assistance: 800-323-4815**

**www.jensenmobile.com © 2015 Printed in China**