



Model APS-510E
Installation Manual
Remote Control Vehicle
Security System

Table Of Contents:	
Before You Begin	Page 2
Wire Harnesses Quick View	Page 3
Mounting Of The Major Components	Page 4
6 Pin Power Connector	Page 5
14 Pin Main Wiring Connector	Page 5 - 8
2 Pin LED / Valet Switch Connectors	Page 8
4 Pin Shock Sensor Connector	Page 8
3 Pin Door Lock/Unlock Connector & Wiring	Page 8 - 11
4 Pin Upgrade Telematic Module	Page 12
Completing The Installation	Page 12
Dome Delay Learning Proceedure	Page 12
Adjusting The Shock Sensor	Page 12
Final Steps Wire Dressing and Operation Explanation	Page 13
Programming Bank 1 (Transmitters)	Page 14
Programming Bank 2 (Alarm Features)	Page 14 - 15
Circuit Wiring Layout	Page 16

PATENTED: www.voxxintl.com/company/patents

Before You Begin

PROFESSIONAL INSTALLATION IS STRONGLY RECOMMENDED

Roll down window to avoid locking the keys in the vehicle during installation.

Avoid mounting components or routing wires near hot surfaces or near moving parts like the steering wheel as it may prevent proper operation of the vehicle.

Tape or loom wires under the hood and dash for protection as well appearance.

Use grommets when routing wires through metal surfaces to prevent chafing and shorting.

Use a Digital Multi Meter for testing and verifying circuits. **DO NOT USE A "TEST LIGHT" OR "COMPUTER SAFE PROBE"** as these can set off air bags or damage sensitive vehicle computers and electronics.

**For technical support go to www.avxtech1.com
or call 1 800 225 6074**

FCC COMPLIANCE

This device complies with FCC Rules Part 15 and with RSS-210 of Industry Canada.

Operation is subject to the following two conditions:

- (1) This device may not cause harmful interference and
- (2) This device must accept any interference that may be received, including interference that may cause undesired operation.

Warning!

Changes or modifications not expressly approved by the party responsible for compliance could void the user's authority to operate the equipment.

NOTE: The manufacturer is not responsible for any radio or TV interference caused by unauthorized modifications to this equipment. Such modifications could void the user's authority to operate the equipment.

14 Pin Main Wiring Harness**Part # 1124303**

1 Black/White	(-) Horn Output
2 LT. Green	(-) Additional Negative Trigger Input
3 NA	Empty Cavity
4 Brown	(-) Negative Door Trigger Input
5 DK. Green	(-) Negative Trigger Input Hood & TNK
6 Purple	(+) Positive Door Trigger Input
7 Orange/White	(-) Ground Out When Disarmed
8 Yellow	Ignition Input (12 VDC On & Start)
9 White/Blue	(-) Output For Headlight Illumination
10 Green/White	(-) Output For Interior Light Illumination
11 LT. Blue/Green	(-) Output Channel 5
12 DK. Blue	(-) Output Channel 3 Trunk
13 Green/Black	(-) Output Channel 4
14 DK. Blue/Black	(-) Output CH 3 Alternate

6 Pin Power Harness**Part #1124297**

1 Red/White	(+) 12VDC Module Power
2 Orange	(-) Starter Inhibit O/P
3 Black	Chassis Ground
4 White/Black	(+) Positive Output For Siren
5 Red	(+) Parking Relay Power
6 White	(+) Parking Relay Output

3 Pin Door Lock Output Harness**Part #1122906**

1 Red	Neg. Lock 300mA Max.
2 Green	Neg. Unlock 300mA Max.
3 Red/Black	2nd Neg. Unlock 300mA Max.

MOUNTING OF THE MAJOR COMPONENTS

Control Module:

Part # 1365411

Select a mounting location inside the passenger compartment (up behind the dash), and secure using the two screws or cable ties.

Do Not mount the control module in the engine compartment, as it is not waterproof. You should also avoid mounting the unit directly onto factory installed electronic components. These components may cause RF interference, which can result in poor transmitter range or intermittent operation.

Siren:

Part # AS9903E

Select a mounting location in the engine compartment that is well protected from access below the vehicle. Avoid areas near high heat components or moving parts within the engine compartment. To prevent water retention, the flared end of the siren must be pointed downward when mounted. Mount the siren to the selected location using the screws and bracket provided.

Hood or Trunk Pin Switch: (Optional)

Part #1363699

An optional pin switch should be used for protecting the hood or trunk (or hatchback) of the vehicle. The switch must always be mounted to a grounded, metal surface of the vehicle. It is important to select a location where water cannot flow or collect, and to avoid all drip gutters on hood and trunk fender walls. Choose locations that are protected by rubber gaskets when the hood or trunk lid is closed. The pin switch can be mounted using an optional bracket or can be directly mounted by drilling a ¼" diameter mounting hole. Keep in mind that when properly mounted, the plunger of the pin switch should depress at least ¼" when the hood or trunk lid is closed.

Pushbutton LED Combination Switch:

Part # PBLED

Select a mounting location known and accessible to the operator of the vehicle. A dashboard plug or front dashboard panel is desirable because the pushbutton LED assembly needs the LED to be visible from the outside of the vehicle. It will be used for valet modes, programming features, programming transmitters, and for overriding the system when the transmitter is not functioning. Inspect behind the chosen location to insure that adequate clearance is allowed for the body of the switch, and also that the drill will not penetrate any existing factory wiring or fluid lines. Drill a 5/16" or 8mm hole in the desired location and mount the switch by passing the connectors, one at a time, through the panel from the front side and pressing on the bezel until the switch is fully seated.

Shock Sensor:

Part # AS9492a

Select a solid mounting surface for the shock sensor on the firewall inside the passenger compartment, and mount the sensor using the two screws provided. The shock sensor can also be secured to any fixed brace behind the dash using tie straps. Whichever mounting method is selected, make certain that the sensitivity adjustment is accessible for use later in the installation.

STARTER INHIBIT RELAY:

Part # 1363731

Select a mounting location within 12" of the ignition switch's low current start solenoid wire. Secure the relay to an existing harness in the chosen location using a cable tie around the relay's wiring harness. Wire the relay as per the diagram found later in this manual.

CAUTION! Do not wire tie the metal bracket to an existing wiring harness as vibration may cause chaffing and shorting damaging the factory wiring. If an existing harness is not available then secure the relay's metal mounting tab to an under dash metal brace with a #8 self tapping sheet metal screw. Wire the relay as per the diagram found later in this manual.

WIRING THE SYSTEM

6 Pin Power Connector:

P/N 1124297

Red/White (5 Amp) & Red Fused (15 Amp) Wires : +12 VDC Constant Battery Source

This wire supplies power to the alarm's control module as well as the input to the parking light relay. Connect this input to a constant on +12 Volt supply.

Orange Wire: 300 mA Ground Output When Armed

This wire is provided to control the starter cut relay. Connect the Orange Wire to terminal #86 of the relay. Connect relay terminal #85 to an ignition wire in the vehicle that is live when the key is in the on and crank positions and off when the key is in the off position. (This is where the Yellow Wire from the alarm should be connected).

Cut the low current starter solenoid wire in the vehicle, and connect one side of the cut wire to relay terminal #87A. Connect the other side of the cut wire to relay terminal #30.

NOTE: This is a normally closed starter cut arrangement and when power is removed from the security system, the starter disable feature will not operate, allowing the vehicle to start. Audiovox does not recommend using the Orange Wire to interrupt anything but the starting circuit of the vehicle.

Black Wire: Chassis Ground

Connect this wire to a solid, metal part of the vehicle's chassis. Do not confuse this wire with the thin black antenna wire that exits the control module independently.

White w/ Black Trace Wire: Positive Output to Siren

Route this wire through a rubber grommet in the firewall, and to the siren location.

Connect the White / Black Wire to the positive wire of the siren. Secure the black ground wire of the siren to chassis ground.

Red Wire: + 12 Volts Module Supply

See the Red/White Wire above.

White Wire: + 12 VDC Pulsed Parking Light Output (15 Amp Max)

This wire is provided to flash the vehicle's parking lights. Connect the White Wire to the positive side of one of the vehicle's parking lights.

14 Pin Main Wiring Connector

P/N 1124303

1 Black w/ White Trace Wire: 300 mA Horn Output

The Black w/ White Trace Wire is provided to beep the vehicle's horn. This is a transistorized low current output, and should only be connected to the low current ground output from the vehicle's horn switch.

If the vehicle uses a +12 VDC horn switch, then connect the Black w/ White Trace Wire to terminal #86 of the AS 9256 relay (or an equivalent 30 Amp automotive relay), and connect relay terminal #85 to a fused +12 VDC battery source. Connect relay terminal #87 to the vehicle's horn switch output, and connect relay terminal #30 to a fused +12 VDC battery source.

2 Light Green Wire: (-) Instant Trigger Zone 1

This is an instant on ground trigger input intended for the connection of optional triggering devices. The ground trigger output wire of motion detectors, microwave detectors, or glass break detectors, can be connected to this Light Green trigger input wire.

3 No Connection, Empty Cavity

4 Brown Wire: - Door Trigger

If the vehicle's courtesy light switches have a (-) ground output when the door is opened (GM and most Imports), you must connect this wire to the negative output from one of the door switches.

WARNING: Do not use the Brown Wire if the vehicle has +12 Volt output type door switches. (See Purple Wire). Note for vehicles with interior delay lighting - see programming under the title "Completing The Installation".

5 Dark Green Wire: (-) Instant Trigger Zone

This is an instant on ground trigger wire. It must be connected to the optional previously installed hood and trunk pin switches when used.

6 Purple Wire: + Door Trigger

If the vehicle's door courtesy light switches have a +12 Volt output when the door is opened (most Fords and some Imports), you must connect this wire to the positive output from one of the door switches.

WARNING: Do not use the Purple Wire if the vehicle has ground output type door switches. (See Brown Wire). Note for vehicles with interior delay lighting - see programming under the title "Completing The Installation".

7 Orange w/ White Trace Wire: 300 mA Ground Output When Disarmed - N. O. Starter Disable

(Optional Relay Required).

This wire is provided to control the starter cut relay. Connect the orange w/white wire to terminal 86 of the relay. Connect relay terminal #85 to an ignition wire in the vehicle that is live when the key is in the on and crank positions, and off when the key is in the off position. (This is where the yellow wire from the alarm should be connected).

Cut the low current starter solenoid wire in the vehicle, and connect one side of the cut wire to relay terminal #87. Connect the other side of the cut wire to relay terminal #30.

NOTE: This is a normally opened starter cut arrangement, and when power is removed from the security system, the starter disable feature will remain operational, and the vehicle will not start. Audiovox does not recommend using the Orange w/ White Trace Wire to interrupt anything but the starting circuit of the vehicle.

8 Yellow Wire: + 12 VDC Ignition Source

Connect this wire to a source that is live when the key is in the on and crank positions. Be sure that this source is off when the key is in the off position.

9 White w/ Blue Trace Wire: Low Current (-) Ground Headlight Output

The White w/ Blue Trace Wire is provided to operate the optional headlamp illumination feature of the system. This is a low current (300mA) output and must be connected to an external relay to control the high current switching circuit of the vehicle's headlamps. To use this option, Connect the White /w Blue Trace Wire to terminal #86 of a P&B VF45F11 relay or equivalent. Connect Terminals #85 and #30 to a fused +12 Volts source with a current capability equal to or in excess of the factory headlamp fuse. Connect terminal #87 of the relay to the switched +12 Volt wire feeding the vehicle's headlamp circuit.

NOTE: For ground switched headlamp circuits, connect the White /w Blue Trace Wire to terminal #86 of a P&B VF45F11 relay or equivalent. Connect Terminal #85 to a fused +12 Volts source. Connect terminal #30 to a clean chassis ground. Connect terminal #87 to the ground switched headlamp control wire in the vehicle.

10 Green w/ White Trace Wire: Entry Illumination Ground Output

This wire provides a 30 second ground output (300 mA Max) whenever the remote is used to disarm the alarm or to unlock the doors and provides a continuous pulsed output whenever the alarm is triggered. This wire should be connected to an external relay and wired to the vehicle's interior entry lighting whenever the optional Interior Illumination circuit is desired. See Wiring Diagram for details.

11 Light Blue/Green Wire: Delayed 300 mA Pulsed Output / Channel 5

The Light Blue/Green Wire pulses to ground via an independent RF channel from the keychain transmitter. This is a transistorized, low current output, and should only be used to drive an external relay coil.

WARNING: Connecting the Light Blue/Green Wire to the high current switched output of trunk release circuits, some remote start trigger inputs, will damage the control module. Connect the Light Blue/Green Wire to terminal #86 of a 30 A automotive relay, connect terminal #85 to a +12 Volt source, and wire the remaining relay contacts to perform the selected function of channel 5.

12 Dark Blue Wire: Delayed 300 mA Pulsed Output / Channel 3

The Dark Blue Wire pulses to ground via an independent RF channel from the keychain transmitter. This is a transistorized, low current output, and should only be used to drive an external relay coil.

CAUTION: Connecting the dark blue wire to the high current switched output of trunk release circuits, and some remote start trigger inputs, will damage the control module. In these cases, connect the Dark Blue Wire to terminal 86 of an Automotive 30 AMP relay, terminal #85 to +12 Volts, and wire the remaining relay contacts to perform the selected function of channel 3.

13 Dark Green w/ Black Trace Wire: Latching Output / Channel 4

The Green w/ Black Trace Wire latches to ground via an independent RF channel from the keychain transmitter. This is a transistorized, low current (300 mA) output, and should only be used to drive an external relay coil.

This wire provides an immediate ground signal, and stays at ground for as long as the button(s) on the keychain transmitter remains pressed.

CAUTION: Connecting the Dark Green w/ Black Trace Wire to the high current switched output of trunk release circuits will damage the control module. Connect the Dark Green w/ Black Trace Wire to terminal 86 of the AS 9256 relay (or an equivalent 30 Amp automotive relay), and wire the remaining relay contacts to perform the selected function of channel 4.

14 Dark Blue w/Black Trace Wire: Alternate Channel 3 Output (Dbl. Push Required)

This wire is controlled from the transmitter button programmed to the receiver's channel 3. By double pressing this the transmitter button, this output will become active for 1 second. This is a transistorized, low current (300 mA) output, designed to provide an output only when the transmitter is intentionally operated, such as is the case with remote start add on modules. If you require more than 300mA drive from this output, you must drive an external relay coil, and arrange the relays contacts to preform the specified function.

NOTE: Pressing the transmitter button, then immediately pressing and holding it will cause this output to be active as long as the transmitter button is depressed.

2 Pin White Connector: DASH MOUNTED LED.

Route the red and blue wires in the 2 pin white connector from the LED to the control module, and plug it into the mating white connector on the side of the module.

2 Pin Blue Connector: PUSH BUTTON VALET SWITCH P/N Pbled

Route the black and gray wires in the two pin blue connector from the push button valet switch to the control module and plug it into the mating connector on the side of the module.

4 Pin White Connector: SHOCK SENSOR P/N 1122591

Route the red, black, blue, and green wires in the 4 pin white connector from the shock sensor to the control module, and plug one end into the shock sensor, and the other end into the mating white connector on the side of the module.

Red, Green, & Red / Black 3 Pin White Connector: Door Lock Outputs P/N 1122906

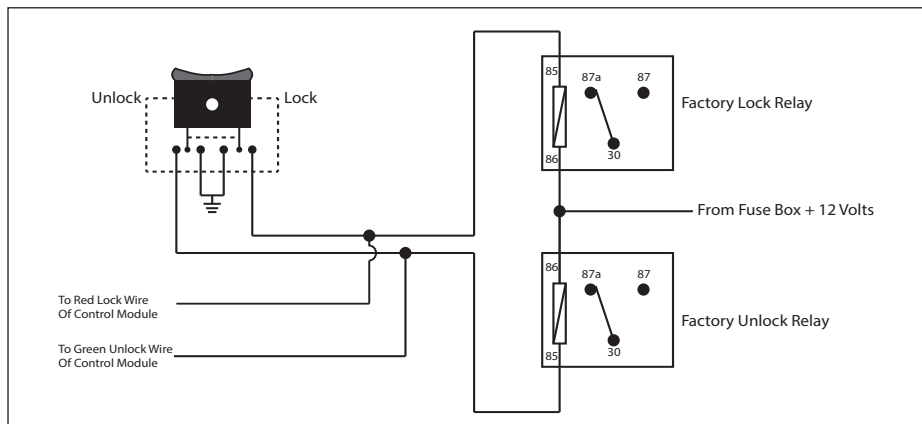
The Red and Green & Red/Black Wires provide a pulsed ground output to the factory door lock control relay. The maximum current draw through these outputs must not exceed 300 mA. The Red w/Black Trace Wire will provide an output when the unlock button of the transmitter is pressed a second time after a first unlock command was issued. This is used for second step unlock or all doors unlock in a two step circuit. In this arrangement, Green is used to control the drivers door unlock relay, and the Red/Black Wire will be used to control unlock of all other doors.

3 Wire Ground Switched Single Step Door Locks

In this application, the **Red Wire** provides a ground pulse during arming, or the **pulsed ground lock** output. Connect the Red Wire to the wire that provides a low current ground signal from the factory door lock switch to the factory door unlock control relay.

The **Green Wire** provides a ground pulse during disarming, or the **pulsed ground unlock** output. Connect the Green Wire to the wire that provides a low current ground signal from the factory door unlock switch to the factory door unlock control relay.

Red/Black Not Used.



3 Wire Ground Switched 2 Step Door Locks

In this application, the **Red Wire** provides a ground pulse during arming or locking, connect the red wire to the wire that provides a low current ground signal from the factory door lock switch to the factory door lock control relay.

The **Green Wire** provides the first ground pulse during disarming or unlocking, connect this wire to the **drivers door unlock** relay that requires a low current ground signal to unlock only the drivers door.

If the vehicle does not have a separate drivers door relay, one will have to be added. Locate the drivers door unlock motor wire and cut it at a convenient location to allow wiring of an optional relay.

Connect the door side of the cut wire to terminal #30 of the optional relay added.

Connect the vehicle side of the cut wire to terminal #87a of the optional relay added.

Connect the green wire of the 3 pin harness to terminal #86 of the optional relay added.

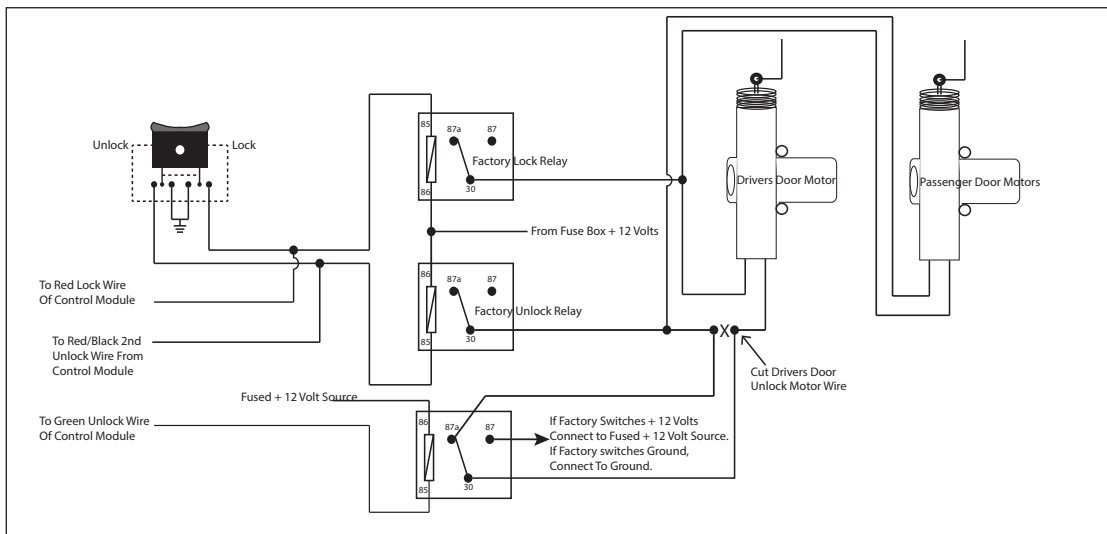
Connect terminal #85 of the optional relay added to a fused constant +12 Volt source.

Most vehicles door lock/unlock motor legs rest at ground, and switch +12 Volts to the door lock/unlock motor legs for operation, if this is the case in the vehicle you are working on, connect the remaining terminal, #87, to a fused +12 Volt source.

In the rare instance that the vehicle door lock/unlock motor legs rest at +12 Volts and switches ground to the door lock/unlock motors, connect the remaining terminal, #87, to chassis ground.

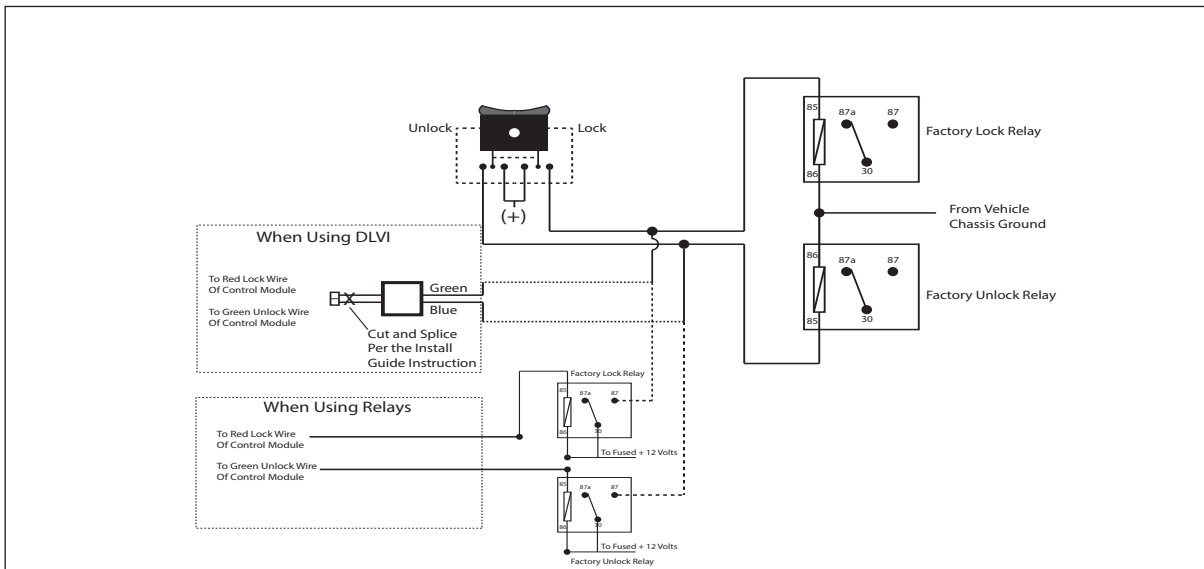
The Red/Black Wire provides a pulse ground output when the unlock button of the transmitter is pressed a second time after disarming.

Connect the Red/Black Wire to the wire that provides a low current ground signal from the factory door unlock switch to the factory door lock control relay.



3 Wire Positive Switched Door Locks:

For three wire positive door lock circuits, you will have to invert the output of the door lock wires, with relays or with the "DLVI" Door Lock Voltage Inverter. The DLVI converts a negative pulse to a 1A positive pulse. When using the DLVI, cut the 3 Pin Green & Blue Connector, and splice the Blue from the DLVI to the Green Door Unlock Wire of the 2 or 3 pin module's door lock harness, and splice the Green of the DLVI to the Red Door Lock Wire of the 2 or 3 pin module's door lock harness. Connect the Red from the DLVI to a fused 12 Volt Source. Connect the Blue (+) Unlock control output from the DLVI to the vehicle's low current (+) Door Unlock Wire. Connect the Green (+) Lock control output from the DLVI to the vehicle's low current (+) Door Lock Wire.



3 Wire Positive Switched 2 Step Door Locks

Connect the DLVI as mentioned above, or use relays to invert the negative output pulse from the 3 pin connector Red & Red/Black to control the lock & all door unlock functions by properly arranging the relay contacts to pulse the vehicle's lock wire, and unlock wire respectively.

For the driver priority unlock, if the vehicle does not have a separate drivers door relay, one will have to be added. Locate the drivers door unlock motor wire and cut it at a convenient location to allow wiring of an optional relay.

Connect the door side of the cut wire to terminal #30 of the optional relay added.

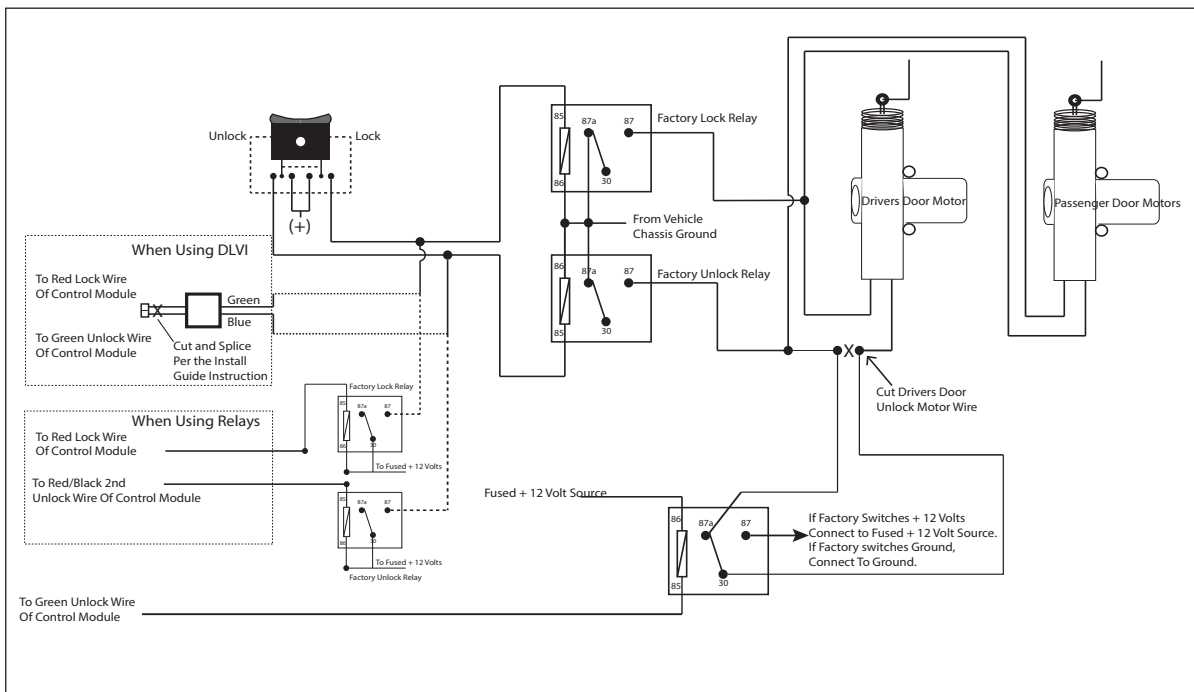
Connect the vehicle side of the cut wire to terminal #87a of the optional relay added.

Connect the Green wire of the 3 pin harness to terminal #86 of the optional relay added.

Connect terminal #85 of the optional relay added to a fused +12 Volt source.

Most vehicles door lock/unlock motor legs rest at ground, and switch +12 Volts to the door lock/unlock motor legs for operation, if this is the case in the vehicle you are working on, connect the remaining terminal, #87, to a fused +12 Volt source.

In the rare instance that the vehicle door lock/unlock motor legs rest at +12 Volts and switches ground to the door lock/unlock motors, connect the remaining terminal, #87, to chassis ground.



Resistive Circuits, As Well As 4 Wire Polarity Reversal and 5 Wire Alternating 12 Volt Door Lock Control Circuits

These applications require the use of additional components which may include relays, fixed resistors, a door lock interface, or a data module. You can search the vehicle @ www.avxtech1.com, Flash-It.com for vehicle specific information, or contact our tech service line or web site for additional information.

4 Pin Upgrade Telematic Module:

Red = + 5 Volts
Black = Ground
White = Data TX
Yellow = Data RX

Connect the 4 pin harness found in the Telematic one way module kit to the mating port on the telematic module and the other side to the connector on the alarm or keyless entry module.

NOTE: If using the TWO WAY Telematic module, only Ground, TX, and RX are used on this port, the +12 Volt supply for the two way module must be sourced separately or the unit will not operate.

COMPLETING THE INSTALLATION

NOTE: This unit has the ability to learn the dome light delay time, up to 60 seconds. If the vehicle has delay interior lights, and you wish to avoid three chirp, defect zone, indication normally associated with this type of interior light, we suggest you learn the interior light delay.

TO LEARN THE DOME LIGHT ENTRY DELAY START WITH ALL DOORS CLOSED:

1. Use the transmitter to Lock / Unlock / Lock / Unlock / Lock / Unlock / Lock, the system. The LED turns on solid to confirm the system entered the learn mode.
2. Immediately open and close the door of the vehicle to initiate the dome delay. The unit will monitor the door trigger input Positive, (Purple), and Negative, (Brown) when active. When the dome light turns off, the unit will add 2 seconds then exit the learn mode.
3. The LED will begin flashing the Armed indication indicating the unit has exited the learn mode and is armed.

Antenna Wire:

Be sure to extend the thin black antenna wire to its full length, and cable tie into place where it cannot be damaged. Avoid wrapping this wire around major, high current wire looms.

Adjusting the Shock Sensor:

P/N AS9492A

If used, the sensitivity of the pre - detect circuit is automatically set 30% less sensitive than the full trigger circuit.

Using a small screwdriver, gently turn the adjustment screw fully counterclockwise. (DO NOT over turn this screw. Maximum rotation for this adjustment is 270°). Close the hood and trunk lids, and arm the alarm. Wait 6 seconds for the accessories trigger zone to stabilize, then firmly strike the rear bumper with the side of a closed fist considering the amount of force required to break a window.

WARNING: **Never perform this test on the vehicle's glass, as you may break the window.** Turn the adjustment screw clockwise (increasing sensitivity) about ¼ turn and re-test. Repeat this procedure until the alarm sounds. Ultimately, one firm strike to the rear bumper will cause the alarm to emit pre-detect warning tones.

CAUTION: Setting the sensitivity too high can cause false alarms due to noise vibrations from passing trucks and heavy equipment. To decrease sensitivity, turn the adjustment screw counter clockwise.

Wire Dressing:

Always wrap the alarm wires in convoluted tubing, or with a spiral wrap of electrical tape. Secure these looms along the routing using cable ties. This will ensure that the alarm wires are not damaged by falling onto hot or sharp moving surfaces in the vehicle.

Operation:

Take a few moments to check off the appropriate option boxes in the owner's manual, and to fully explain the operation of the system to your customer.

PROGRAMMING BANK 1 (TRANSMITTERS):

1. Turn the ignition key to the on position.
2. Press and release the valet/programming switch 3 times (Siren Chirps).
3. Press the Lock Button of each transmitter you want programmed until you hear a chirp from the horn or siren.
4. Turn the ignition switch off.

The above action programs the Lock, Unlock, Start/Trunk, and Option 1 buttons of the system. For additional channel programming see transmitter programming guide found within the literature bag packaged with this kit.

PROGRAMMING BANK 2 (ALARM FEATURES):

You can enter bank 2 from bank 1 by turning the ignition key off then on from step 4 of Bank 1. (Siren Short then Long Chirp), or You can also go right to bank 2 by:

1. Turn the ignition key to the on position.
2. Press and release the valet/programming switch 3 times (Siren Chirps).
3. Turn the ignition key off then on. (Siren Short Then long Chirp)
4. Press the pushbutton switch once to advance to feature 1, twice to advance to feature 2, etc,,, then use the lock button of the transmitter to select the feature setting.

Example to set passive arming:

1. Turn the ignition key to the on position.
2. Press and release the valet/programming switch 3 times (Siren Chirps).
3. Turn the ignition key off then on. (Siren Short Then long Chirp)
4. Press the pushbutton switch six times to advance to features 6, Pass/Act Arm, then use the lock button of the transmitter to select two chirps "Passive Arm".
5. To exit the programming mode, turn the ignition key off. The program mode is automatically exited 6 seconds after the ignition switch transitions off.

The selectable features of this unit can be set manually as explained above, or online by using our web link. The Accessory VE-PROG kit will include the necessary cables to connect to your computer along with the web access information and application required to take advantage of this feature.

If Programming via PC while connected to +12 VDC, (Already Installed), you must manually enter the programming mode as shown below:

1. Turn the ignition on.
2. Press and release valet switch 3 times.
3. Turn ignition off then on, off then on, off then on, off then on to enter web/on-line feature selection Bank 5. Siren chirps 5 times indicating access to feature program mode.
4. Launch the application on your PC. Connect the module via the USB to DBI harness and follow program prompts.

New ,The chirp and LED patterns have been changed to make it easier to determine what feature you are in. As well, the feature bank will not time out until the ignition switch is off for more than 5 seconds. The change will be noted when you get to feature # 11, the LED pattern will be 1 pause, 1, #12 will be 1 pause, 2, #13 will be 1 pause 3, #18 will be 1 pause 8, etc,,, This will make it eaised for the technician to determine what feature they are up to.

Feature Bank Reset: If you wish to reset a feature bank to the default settings,,, from within that bank, press and hold the pushbutton on the receiver/antenna for 5 seconds or until a chirp / flash is heard from the system. This action resets the feature bank. The feature banks are reset individually so resetting Bank 2 will not effect bank 3 & visa versa.

SELECTABLE FEATURES

The selectable features of this unit can be set manually as explained on the previous page, or online by using our web link. The Accessory VE-PROG kit will include the necessary cables to connect to your computer along with the web access information and application required to take advantage of this feature. Factory default settings are indicated by **BOLD** text below.

Note: The method of manual override can either be selected to operate from the valet switch or operate by custom code. Custom Code programming is found in the owners guide. Be certain to place a check mark indicating the method used in the box located on the last page of the owner's manual.

NOTE: Manual programming Keyless Entry Models with no horn output will Flash the Parking Lights instead of chirp where chirp is indicated. Also, No data will be indicated if a feature is not available for a particular model. The unit will enter the feature but no selection will be available.

RF Programmable Feature Bank 1 Is For Transmitter Programming See Transmitter Programming Guide.

RF Programmable Features Bank 2 Is Alarm Selectable Features:

Feature_Selection	1 Chirp	2 Chirps	3 Chirps	4 Chirps	5 Chirps	6 Chirps
1st DoorL/U/L	500 mS	3.5 Sec.	500mS L, Dbl. U/L	Dbl L, 500mS U/L	Dbl L, Dbl U/L	500mS/350mS ul
2nd Accy Lock	Auto Lock On	Auto Lock Off				
3rd Accy. UL	Auto UL Dr.	Auto UL All	Auto UL Off			
4th Headlights	On Arm	On Disarm	On Both	Off		
5th Passive Locks	Passive	Active				
6th Pass/Act Arm	Passive Arm	Active Arm				
7th Siren/Horn	Siren/Horn	Siren Only	Horn Only			
8th Horn Chirp	10mS	16mS	30mS	40mS	50mS	
9th O/R Method	Custom Code	Valet				
10th 2 Step U/L	On	Off				
11th Chp Del Tx	On	Off				
12th Trigger Circuits	Not Available					
13th L/U/L Poll	Not Available					
14th Aux Ch 5 Sel	Pulse	Push & Hold	10 Sec	20 Sec	Latch On/Off	Hold 3/S For O/P
15th Aux Ch 6 Sel	Not Available					
16th Aux Ch 7 Sel	Not Available					
17th Trigger Delay	Not Available					
18th Data Port Select	DBI Protocol	ADS Protocol				

If Programming via PC while connected to +12 VDC you must manually enter the programming mode as shown below:

1. Turn the ignition on.
2. Press and release valet switch 3 times.
3. Turn ignition off then on, off then on, off then on, off then on to enter web/on-line feature selection Bank 5. Siren chirps 5 times indicating access to feature program mode.
4. Launch the application on your PC, Connect the module via the USB to DBI harness and follow program prompts.

