



APS596Z

Vehicle Security / Keyless Entry System

Installation and Reference Guide

Thank you for trusting Prestige products! **If you are a consumer, please note: Professional installation is strongly recommended.**

This manual assumes the installer has adequate knowledge of the following expertise. Therefore, it does not cover these topics in detail:

- 12-volt electronics
- Testing and verifying circuits
- Making safe and lasting wiring connections
- Factory ignition, power, lighting, data bus and sensing systems
- Factory systems and components to avoid
- Safe wire routing, circuit protection and product placement
- Access to vehicle-specific technical information

In addition, this manual assumes the installer has the **proper tools, skill and facilities** to perform a professional installation. **Performing an improper installation could result in damage to the vehicle or its components, improper system function, unsafe vehicle operation or physical injury.** Such instances would not be covered by the vehicle manufacturer's warranty, nor by Voxx Electronics, Inc.

Detailed Descriptions

2	Wire Harness Colors and Functions
2	Power / Notification Connector
3	Input / Output Connector
6	External Components
6	Shock Sensor
6	RF Antenna Kit
6	Data Bus Interface (DBI)
6	Telematics
7	Setup Options
7	Remote Programming
8	Security Control
12	Negative Output Control (NOC)
14	AUX Output Control
15	PIC Input Control
16	System Operation
16	Remote Operation

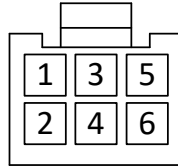
Quick Reference

17	System Programming
17	Programming Mode Entry / Exit
18	Feature Bank Options
18	Data Port Protocol Selection
19	Dome Light
19	Silent Arm and Disarm
19	User Selectable LED
19	System Diagnostics
19	Troubleshooting Trigger Zones
19	Adjusting Shock Sensor
20	Alarm Override Procedures
21	Wiring Diagrams
21	Door Lock Connections
24	Starter Kill Relay
25	Full System Connections

Detailed Descriptions: Wire Harness Colors and Functions

Power / Notification Connector (6-pin connector) [See page 25 for the full system diagram.](#)

These wires are listed in order of their placement in the harness connector.



1. WHITE – Parking Light Relay Output (Internal Relay Pin 30)

At its default setting, the WHITE wire supplies 12-Volt (+) or Ground (-) to the vehicle's park light wire based on the connection of the relay input (WHITE/RED wire).

Verification: The vehicle parking light wire registers 12-Volt (+) or Ground (-) when the park lights are turned on.

Note: This wire can be programmed to perform the **Trunk Release Output** function by changing its options. [Refer to Bank 2, Feature 14 on page 8.](#)

2. BLACK – Ground Input (-)

The BLACK wire connects to a reliable vehicle ground (-) source to power the system.

Verification: The vehicle ground (-) source wire registers ground (-) at all times.

Note: Before making this connection, remove all module fuses until the system is completely connected.

3. WHITE/RED – Parking Light Relay Input (Internal Relay Pin 87)

The WHITE/RED connects to vehicle 12-Volt (+) or Ground (-) to supply the relay output (WHITE wire).

Verification for default setting:

- If the vehicle parking light wire registers 12-Volt (+) when the park lights are on, connect the WHITE/RED wire to a constant 12-Volt (+) vehicle wire.
- If the vehicle parking light wire registers Ground (-) when the park lights are on, connect the WHITE/RED wire to a reliable vehicle ground source.

Note: This wire can be programmed to perform the **Trunk Release Output** function by changing its options. [Refer to Bank 2, Feature 14 on page 8.](#)

4. YELLOW – Ignition Input (+)

The YELLOW wire connects to the vehicle's primary ignition wire. This wire will be used for system programming and override.

Verification: This ignition wire registers 12-Volt (+) when the key is in the accessory, ignition, and start positions.

Note: Before making this connection, remove all module fuses until the system is completely connected.

5. WHITE/BLACK – Siren Output (+)

The WHITE/BLACK wire supplies 12-Volt (+) to power the siren. After mounting the siren, connect its BLACK wire to a reliable ground source, and connect the BROWN wire to the siren's RED wire.

6. RED – 12-Volt Input (+)

The RED wire connects to the vehicle's primary 12-Volt (+) wire to power the system.

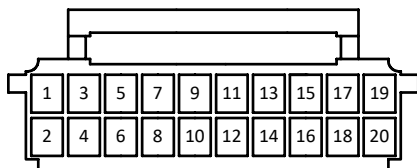
Verification: The power wire registers 12-Volt (+) at all times.

Note: Before making this connection, remove all module fuses until the system is completely connected.

Detailed Descriptions: Wire Harness Colors and Functions

Input / Output Connector (20-pin connector) [See page 25 for the full system diagram.](#)

These wires are listed in order of their placement in the harness connector.



1. RED – Door Lock (-) (NOC 1)

The RED wire supplies Ground (-) when the Lock function is activated from the remote control or system.

Verification: The vehicle lock wire registers 12-Volts (+) or Ground (-) when the Lock button is activated. Additional parts may be required. [See Page 21 for common door lock wire diagrams.](#)

Note: This wire is programmable. [Refer to NOC Programming on page 12.](#)

2. Empty

This position is empty on this harness.

3. GREEN – Door Unlock (-) (NOC 2)

The GREEN wire supplies Ground (-) when the Unlock function is activated from the remote control or system.

Verification: The vehicle lock wire registers 12-Volt (+) or Ground (-) when the Unlock button is activated. Additional parts may be required. [See Page 21 for common door lock wire diagrams.](#)

Note: This wire is programmable. [Refer to NOC Programming on page 12.](#)

4. PURPLE/BROWN – Door Trigger Input (-/+)

The PURPLE/BROWN wire connects to the vehicle's door trigger wire. This wire will detect 12-Volt (+) or Ground (-) input. The default detection is Ground (-). If the vehicle requires 12-Volt (+) detection, see Feature Programming on page 8.

Verification: The vehicle door trigger wire registers 12-Volt (+) or Ground (-) when a door is opened and opposite when closed.

Note: Programming is required if the door trigger wire registers 12-Volt (+). [Refer to Bank 2, Feature 13 on page 8.](#)

5. WHITE/BLUE – Headlight Output (-) (NOC 3)

The WHITE/BLUE wire supplies a Ground (-) when the lock or unlock button is pressed on the remote. This output will automatically turn off after 30 seconds. This feature is controlled by feature bank 2, Feature 4; Exterior Illumination.

Note: Additional part may be required. This wire is programmable. [Refer to NOC Programming on page 12.](#)

6. GRAY/BLACK – Hood Input (-) (PIC 1)

The GRAY/BLACK wire connects to the vehicle's hood switch, or an installed switch that registers Ground (-) when triggered. *Verification:* The vehicle hood switch wire registers Ground (-) when the hood is opened.

Note: This wire is programmable. [Refer to PIC Programming on page 15.](#)

7. DARK BLUE – Trunk Release Output (-) (NOC 4)

At its default setting, the DARK BLUE wire connects to the vehicle trunk release wire or relay and supplies Ground (-) when activated from the remote control.

Verification: The vehicle trunk release wire registers 12-Volt (+) or Ground (-) when the trunk release button is activated.

Note: This wire can be programmed to perform the Parking Lights Output function by changing its options. [Refer to Bank 2, Feature 14 on page 8](#) and [NOC Programming on page 12.](#)

Detailed Descriptions: Wire Harness Colors and Functions

Input / Output Connector (20-pin connector) (Cont.) [See page 24 for the full system diagram.](#)

These wires are listed in order of their placement in the harness connector.

8. LIGHT GREEN – Trunk / Hatch Input (-) (PIC 2)

The LIGHT GREEN wire connects a device or switch that, when triggered, supplies a Ground (-) output. If the system is armed, this input will trigger the alarm.

Note: This wire is programmable. [Refer to PIC Programming on page 15.](#)

9. GREEN/LIGHT BLUE – Ch. 4 Aux. Output (-) (NOC 5)

The GREEN/LIGHT BLUE wire supplies Ground (-) when activated from the remote control.

Note: This wire is programmable. [Refer to NOC Programming on page 12.](#)

10. DARK GREEN – Instant Trigger Input (-) (PIC 3)

The DARK GREEN wire connects a device or switch that, when triggered, supplies a Ground (-) output. If the system is armed, this input will trigger the alarm.

Note: This wire is programmable. [Refer to PIC Programming on page 15.](#)

11. LIGHT BLUE/GREEN – Ch. 5 Aux. Output (-) (NOC 6)

The LIGHT BLUE/GREEN wire supplies Ground (-) when activated from the remote control.

Note: This wire is programmable. [Refer to NOC Programming on page 12.](#)

12. GREEN/YELLOW – Arm 1 Input (-/+)

The GREEN/YELLOW wire connects to the vehicle's Positive (+) Lock Motor wire. This wire will ARM the alarm when a Positive (+) pulse is detected.

Verification: The vehicle's door lock motor wire will test Positive (+) when the Lock function is pressed on the factory keyless entry remote or from the door lock trim switch.

13. GREEN/WHITE – Dome Light Output (-) (NOC 7)

The GREEN/WHITE wire supplies Ground (-) when Unlock is activated from the Remote Control. This output will automatically turn off after 30 seconds.

Note: This wire is programmable. [Refer to NOC Programming on page 12.](#)

14. GREEN/BLACK – Arm 2 Input (-/+)

The GREEN/BLACK wire connects to the vehicle's lock trim switch wire. This wire will prevent the alarm from arming when the Lock function is performed from the vehicle's door lock trim switch.

Verification: The vehicle's door lock trim switch wire will test Positive (+) or Ground (-) when the Lock function is pressed on the door lock trim switch.

Note: This input is programmable. [Refer to Bank 2, Feature 18 on page 8.](#)

15. DARK BLUE/BLACK -- External Start Output (-) (NOC 8)

The DARK BLUE wire connects to an external remote start. If the vehicle ignition is off, this input will activate the remote start function.

Note: This wire is programmable. [Refer to NOC Programming on page 12.](#)

16. RED/YELLOW – Disarm 1 Input (-/+)

The RED/YELLOW wire connects to the vehicle's Positive (+) Unlock Motor wire. This wire will disarm the alarm when a Positive (+) pulse is detected.

Verification: The vehicle's door unlock motor wire will test Positive (+) when the unlock function is pressed on the factory keyless entry remote.

Detailed Descriptions: Wire Harness Colors and Functions

Input / Output Connector (20-pin connector) (Cont.) [See page 24 for the full system diagram.](#)

These wires are listed in order of their placement in the harness connector.

17. BLACK/WHITE – Horn Output (-) (NOC 9)

The BLACK/WHITE wire connects to the vehicle's horn wire and supplies Ground (-) when activated from the system.

Verification: The vehicle horn wire registers Ground (-) when the horn is activated.

Note: This wire is programmable. [Refer to NOC Programming on page 12.](#)

18. RED/BLACK – Disarm 2 Input (-/+)

The RED/BLACK wire connects to the vehicle's unlock trim switch wire. This wire will prevent the alarm from disarming when the unlock function is performed from the vehicle's door lock trim switch.

Verification: The vehicle's door unlock trim switch wire will test Positive (+) or Ground (-) when the unlock function is pressed on the door lock trim switch.

Note: This input is programmable. [Refer to Bank 2, Feature 19 on page 8.](#)

19. ORANGE – Starter Kill Output (-)

The ORANGE wire supplies Ground (-) when the alarm is armed and when the remote start is ON.

20. BLUE – Trunk Shunt Input (-/+)

The BLUE wire connects to the vehicle's trunk release motor wire. This wire will disable the alarm's LIGHT GREEN trunk trigger input and shock sensor when a pulse is detected.

Verification: The vehicle's trunk release motor wire will test Positive or Ground (-) when the trunk release function is performed on the vehicle's factory Keyless entry remote.

Note: This input is programmable. [Refer to Bank 2, Feature 20 on page 8.](#)

Detailed Descriptions: External Components

Shock Sensor

The shock sensor plugs into a 4-pin connector on the Prestige module. It should be securely attached to a vehicle surface or sturdy wire harness. Testing takes place after all connections are made and the system is powered up. **Refer to Quick Reference: System Diagnostics on page 19** for instructions on testing and adjusting the shock sensor.

RF Antenna / LED / Programming Port

The long-range antenna kit (sold separately) plugs into a 4-pin connector on the Prestige module.

1. Mount the supplied antenna/receiver to a clear spot on the vehicle's windshield that will not block the driver's vision. A suitable location is high on the windshield near the rear-view mirror.
2. Be careful not to mount the antenna/receiver on any metallic window film, as this will affect system range.
3. Route the antenna/receiver cable to the Prestige module, ensuring it does not block or interfere with deployment of the airbag (if equipped.) Plug into the antenna port.

Data Bus Interface (DBI) Port

The 4-pin Data Bus Interface enables a FlashLogic door lock or transponder interface to connect to and communicate with the vehicle data bus. The combined system saves installation time as many features that normally require individual connection can be accessed and controlled through the data bus. Please refer to the D2D (Data to Data) function list available per vehicle at www.FlashLogic.com.

FLCART Cartridge Port

This port is for installing the FlashLogic FLCART data immobilizer & door lock interface cartridge used to communicate with the vehicle's databus.

Weblink Programming Port

This 4-pin port is used for programming the FlashLogic FLCART interface cartridge via the FLPROG Weblink or Weblink Mobile. Refer to the FlashLogic website for more details.

FLCART Harness Port

This port is for the harness included with the FLCART interface cartridge. Refer to the FlashLogic website for more details.

Telematics Interface Port

The 4-pin Telematics port enables a connected interface such as CarLink to expand system control to a smartphone or tablet. The following features may be able to be activated from a connected device:

- Door Lock Control
- Trunk Release
- Auxiliary Output
- Sliding Doors

Detailed Descriptions: Setup Options

Bank 1: Add / Remove Remote Controls

Remote programming is located in Feature Bank 1. This system will Auto Program basic functions of the remote with one (1) button press. Basic functions are channels 1-3, Lock, Unlock, and Trunk / Start.

Feature Bank 1		Description	
Channel	1	Auto Program/Lock	Press Lock button on remote
	2	Unlock	Press Unlock button on remote
	3	Trunk/Start	Press Trunk/Start button on remote
	4	Ch. 4 AUX	Press button/buttons to control AUX Ch. 4
	5	Ch. 5 AUX	Press button/buttons to control AUX Ch. 5
	6	Ch. 6 AUX	Press button/buttons to control AUX Ch. 6
	7	Ch. 7 AUX	Press button/buttons to control AUX Ch. 7

To Auto Program a remote control:

1. Turn the ignition key to ON.
2. Press and release the valet/override button three (3) times.
3. The system will beep one (1) time, indicating you have accessed Bank 1, Remote Programming.
4. Press the Lock button of each remote control you wish to program. (Channels 1-3 of the remote control will be programmed.) The system will beep one (1) time when each remote control is added.
5. Turn the ignition key to OFF to exit programming mode, or cycle the ignition key OFF/ON to advance to the next Feature Bank.

To delete a remote control:

This system will store a **maximum of four (4) remote controls** in the memory. Additional programmed remote controls will delete the oldest-programmed remote control.

Deleting All Remotes:

1. Perform steps 1-3 above.
2. Press and hold the Valet/Override button for five (5) seconds.
3. The system will sound one (1) long beep. This indicates all remotes have been deleted from memory.

Notes:

- The system will store in the memory a **maximum of four (4) remote controls**. Additional programmed remote controls will delete the oldest-programmed remote control.
- The system will accept a maximum of two (2) 2-Way remote controls.
- During normal operation, the **Programmed Transmitter Notification (PTN) function** indicates how many remote controls are programmed by flashing the LED a certain number of times when the vehicle ignition is turned on.

AUX Output Controls.

AUX Output Controls are not configured during the Auto Programming sequence. This allows for customization by the installer or user. To program AUX Output Control:

1. Repeat steps 1-3 above.
2. Press the valet button to advance to the AUX Channel to be programmed. The system will beep to indicate the channel number.
3. Press the desired button or button combination selected to control the AUX output. The system will beep 1x to indicate the channel is programmed.
4. Repeat steps 2-3 until all desired AUX outputs are programmed or turn the ignition key to OFF to exit programming.

Detailed Descriptions: Setup Options

Security Control (Bank 2) [See page 17 for Programming Instruction.](#)

Features		Options					
		1 Chirp	2 Chirp	3 Chirp	4 Chirp	5 Chirp	6 Chirp
1	Lock / Unlock Function	500ms	3.5sec	500ms L, DBL UL	DBL L, 500ms UL	DBL L, DBL UL	500ms L, 350ms UL
2	Ignition Lock	OFF	ON				
3	Ignition Unlock	OFF	Unlock All	Unlock Driver			
4	Exterior Illumination	OFF	With Arm	With Disarm	With Arm & Disarm		
5	Auto Relock	OFF	Auto Lock Only	Auto Lock & Arm			
6	Auto Arming / Locking	OFF	Auto Arm Only	Auto Lock & Arm			
7	Notification Sound	Both	Siren	Horn			
8	Horn Timing	16ms	30ms	40ms	50ms	10ms	
9	Valet Override Method	Valet	Custom Code	Stand Alone Valet			
10	Driver Priority Unlock	OFF	ON				
11	Silent Choice	OFF	From Transmitter	OEM Style			
12	Security Profile	All On	Doors Off	Hood/trunk Off	All Off	All On w/ OEM RS	
13	Door Trigger Input	Negative	Positive				
14	Park Light / Trunk Swap	OFF	ON				
15	Data Port Protocol	ADS	DBI				
16	1 or 2 Wire Disarm	2 Wire	1 Wire				
17	Disarm Input	120ms Dr OR Pass	80ms Dr OR Pass	120ms, UL & Light	80ms, UL & Light		
18	Arm 1 Input	Auto Detect	Positive	Negative			
19	Disarm 1 Input	Auto Detect	Positive	Negative			
20	Arm 2 Input	Auto Detect	Positive	Negative			
21	Disarm 2 Input	Auto Detect	Positive	Negative			
22	Trunk Shunt Input	Auto Detect	Positive	Negative			
23	Dome Light Delay Timer	OFF / Program	15sec	30sec	45sec	60sec	120sec
24	Alarm Trigger Length	30sec	45sec	60sec	90sec	120sec	

Feature 1: Lock / Unlock Function

Function: **Set the lock / unlock output timing and functionality for specific vehicle lock types.**

Setting Choices:

- **Option 1** - Lock and Unlock outputs will pulse for **500 milliseconds**.
- **Option 2** - Lock and Unlock outputs will pulse for **3.5 seconds**.
- **Option 3** - **Lock** output will pulse for **500ms** ; **Unlock** output will pulse twice, **500ms each**.
- **Option 4** - **Lock** output will **pulse twice, 500ms each** ; **Unlock** output will pulse for **500ms**.
- **Option 5** - Lock and Unlock outputs will **pulse twice for 500ms**.
- **Option 6** - **Lock** output will pulse for **500ms** ; **Unlock** output will pulse for **350ms**.

Feature 2: Ignition-Activated Lock

Function: **Set the door locks to lock when brake is pressed after the ignition is turned ON.**

Setting Choices:

- **Option 1** - **Doors do not lock** with ignition.
- **Option 2** - **Doors Lock** when brake is pressed after **ignition on**.

Feature 3: Ignition-Activated Unlock

Function: **Set the door locks to unlock when the ignition is turned off with the key.**

Setting Choices:

- **Option 1** - **Doors do not unlock** with ignition **off**.
- **Option 2** - **All Doors** Unlock with ignition **off**.
- **Option 3** - **Driver Door** Unlocks with ignition **off**.

Detailed Descriptions: Setup Options

Security Control (Bank 2) (cont.) [See page 17 for Programming Instruction.](#)

Feature 4: Exterior Illumination

Function: **Set the parking lights and head lights to remain on for 30 seconds when the doors are locked or unlocked with the remote control.**

Setting Choices:

- **Option 1** - The lights will function normally.
- **Option 2** - The lights will remain on for **30 seconds when the doors are locked** with the remote control.
- **Option 3** - The lights will remain on for **30 seconds when the doors are unlocked** with the remote control.
- **Option 4** - The lights will remain on for **30 seconds when the doors are locked or unlocked** with the remote control.

Feature 5: Auto ReLock Setting

Function: **Set the doors to re-lock if the system has been accidentally disarmed.**

Setting Choices:

- **Option 1** - Auto ReLock is **disabled**.
- **Option 2** - If the system has been disarmed but no doors have been opened in 3 minutes, the system will **relock the doors but not re-arm** the alarm.
- **Option 3** - If the system has been disarmed but no doors have been opened in 3 minutes, the system will **relock the doors and re-arm** the alarm.

Note: This feature is not associated with the auto locking / arming feature.

Feature 6: Automatic Arming

Function: **Set the system to arm automatically after exiting the vehicle.**

Setting Choices:

- **Option 1** - System will arm and doors will lock **only when the alarm is armed from the remote control**.
- **Option 2** - System will arm **automatically 1 minute after the last door is closed**, and when the alarm is armed from the remote control.
- **Option 3** - System will **Arm and Lock doors automatically 1 minute after the last door is closed**, and when the alarm is armed from the remote control.

Feature 7: Notification Sounds

Function: **Set the siren and/or horn to notify when the system is armed or disarmed.**

Setting Choices:

- **Option 1** - **Siren and horn** will emit audible beeps when the system is armed and disarmed.
- **Option 2** - **Siren** will emit audible beeps when the system is armed and disarmed.
- **Option 3** - **Horn** will emit audible beeps when the system is armed and disarmed.

Note: Siren and horn will both sound if the system is triggered, regardless of this setting.

Feature 8: Horn Output Duration

Function: **Set the horn output to activate for a set time.**

Setting Choices:

- **Option 1** - Output pulses for **16 milliseconds**.
- **Option 2** - Output pulses for **30 milliseconds**.
- **Option 3** - Output pulses for **40 milliseconds**.
- **Option 4** - Output pulses for **50 milliseconds**.
- **Option 5** - Output pulses for **10 milliseconds**.

Detailed Descriptions: Setup Options

Security Control (Bank 2) (Cont.) [See page 17 for Programming Instruction.](#)

Feature 9: Override Method

Function: **Set the Alarm Override Method. This will be used if the Remote is lost or inoperable.**

Setting Choices:

- **Option 1** - Alarm Override method is normal. **Ignition Key ON, press Valet button 1x**
- **Option 2** - Alarm Override method is set for a **Custom Code**.
- **Option 3** - Alarm Override method is set for **Stand Alone Valet Mode**.

Note: See Alarm Override and Custom Code Programming procedures on page 18.

Feature 10: Driver Priority

Function: **Set the behavior of unlock outputs when arming and disarming the system.**

Setting Choices:

- **Option 1** - Unlock pulse will be on the **Green wire unlock output only**.
- **Option 2** - **First press** of unlock on remote will pulse **Green wire** ; **Second press within 10sec** will pulse **RED/BLACK wire**.

Feature 11: Silent Choice™

Function: **Set audible beeps on or off when arming and disarming the system.**

Setting Choices:

- **Option 1** - Pressing Lock or Unlock at any time will perform the function **with audible beeps**.
- **Option 2** - **Pressing Lock or Unlock for 1.5sec** on remote will control system **without an audible beep**.
- **Option 3** - **First press** of Lock or Unlock on the remote control will perform the function **without an audible beep**. **Second press within 10sec will result in audible beeps**.

Feature 12: Security Profile

Function: **Set the system to function as a keyless entry / convenience system or full-featured alarm / convenience system.**

Setting Choices:

- **Option 1** - All security, keyless entry and convenience features are **enabled**.
- **Option 2** - **Door** Trigger zone is **disabled**.
- **Option 3** - **Hood and Trunk** Trigger zones are **disabled**.
- **Option 4** - **All security trigger zones** are **disabled**.

Feature 13: Door Detection

Function: **Set the system to detect 12-Volt (+) or Ground (-) when the vehicle door is opened**

Setting Choices:

- **Option 1** - Door Trigger detection is set for **Ground (-)**.
- **Option 2** - Door Trigger detection is set for **12-Volt (+)**.

Feature 14: Park Light / Trunk Relay Function

Function: **Reverse the functionality of the trunk and park light outputs (i.e. when the built-in relay is needed for the trunk connection but not needed for the park light connection.)**

Setting Choices:

- **Option 1** - Functionality follows **default settings**.
- **Option 2** - The **Trunk Release Output (Dark Blue)** wire works with the Parking Lights function; the **Parking Lights Input (White/Red)** and **Parking Lights Output (White)** wires work with the trunk release function.

Detailed Descriptions: Setup Options

Security Control (Bank 2) (Cont.) [See page 17 for Programming Instruction.](#)

Feature 15: Data Bus (DBI) Port Protocol

Function: **Set functionality of the data bus connector to accept integration modules of differing protocols.**

Setting Choices:

- **Option 1** - The data bus connector will be configured to work with modules that use the **ADS Protocol**.
- **Option 2** - The data bus connector will be configured to work with modules that use the **DBI Protocol**.

Feature 16: 1 or 2 Wire Disarm

Function: **Set the disarm input detection**

Setting Choices:

- **Option 1** - 2 Wire Detection, Will monitor Disarm input 1 and 2 for disarm pulse.
- **Option 2** - 1 Wire Disarm, Will monitor Disarm input 1 Only for pulse.

Feature 17: Disarm Input & Timing

Function: **Set Arm and Disarm Input and Timing**

Setting Choices:

- Option 1 - System will disarm when a pulse of **120ms is detected on Disarm 1 only**.
- Option 2 - System will disarm when a pulse of **80ms is detected on Disarm 1 only**
- Option 3 - System will Disarm when a pulse of **120ms is detected on Disarm 1 & 2**.
- Option 4 - System will disarm when a pulse of **80ms is detected on Disarm 1 & 2**

Feature 18: Arm 1 Input Polarity

Function: **Set the Arm 1 input polarity**

Setting Choices:

- **Option 1** - System will **Auto Detect the input polarity on power-up** .
- **Option 2** - System will **Arm when Positive (+)** Pulse is detected.
- **Option 3** - System will **Arm when Negative (-)** pulse is detected.

Feature 19: Disarm 1 Input Polarity

Function: **Set the Disarm 1 input polarity**

Setting Choices:

- **Option 1** - System will **Auto Detect the input polarity on power-up** .
- **Option 2** - System will **Disarm when Positive (+)** Pulse is detected.
- **Option 3** - System will **Disarm when Negative (-)** pulse is detected.

Feature 20: Arm 2 Input Polarity

Function: **Set the Arm 2 input polarity**

Setting Choices:

- **Option 1** - System will **Auto Detect the input polarity on power-up** .
- **Option 2** - System will **Arm when Positive (+)** Pulse is detected.
- **Option 3** - System will **Arm when Negative (-)** pulse is detected.

Detailed Descriptions: Setup Options

Security Control (Bank 2) (Cont.) [See page 17 for Programming Instruction.](#)

Feature 21: Disarm 2 Input Polarity

Function: **Set the Disarm 2 input polarity**

Setting Choices:

- **Option 1** - System will **Auto Detect the input polarity on power-up** .
- **Option 2** - System will **Disarm when Positive (+)** Pulse is detected.
- **Option 3** - System will **Disarm when Negative (-)** pulse is detected.

Feature 22: Trunk Shunt Input Polarity

Function: **Set the Trunk Shunt input polarity**

Setting Choices:

- **Option 1** - System will **Auto Detect the input polarity on power-up** .
- **Option 2** - System will **Bypass the Trunk and Shock input when Positive (+)** Pulse is detected.
- **Option 3** - System will **Bypass the Trunk and Shock input when Negative (-)** pulse is detected.

Feature 23: Dome Light Delay Timer

Function: **Set the delay timer when using the vehicle's Dome Light as a door trigger.**

Setting Choices:

- **Option 1** - OFF / Delay Timer will be OFF or use the programmed time. See page ## for dome light delay programming procedure
- **Option 2 - 15 seconds**, System will wait 15 seconds before monitoring the door trigger input.
- **Option 3 - 30 seconds**, System will wait 30 seconds before monitoring the door trigger input.
- **Option 4 - 45 seconds**, System will wait 45 seconds before monitoring the door trigger input.
- **Option 5 - 60 seconds**, System will wait 60 seconds before monitoring the door trigger input.
- **Option 6 - 120 seconds**, System will wait 120 seconds before monitoring the door trigger input.

Feature 24: Alarm Trigger Length

Function: Set the **length of time** the **Alarm Notification** will sound for each cycle.

Setting Choices:

- **Option 1 - 30 seconds**, System will Alarm Cycle will sound for 30 second.
- **Option 2 - 45 seconds**, System will Alarm Cycle will sound for 45 second.
- **Option 3 - 60 seconds**, System will Alarm Cycle will sound for 60 second.
- **Option 4 - 90 seconds**, System will Alarm Cycle will sound for 90 second.
- **Option 5 - 120 seconds**, System will Alarm Cycle will sound for 120 second.

Note: The system will check the trigger inputs between each Alarm Cycle. If the trigger input is still active the system will notify the user with another cycle.

Detailed Descriptions: Setup Options

NOC Outputs (Negative Output Control)

Negative Output Control (NOC) allows the installer to program any NOC output for any NOC option. For example, if an installer is not using the GREEN/WHITE Dome Light output, but requires a second Unlock Output, the system can be programmed to change the output timing. Once programmed in the NOC Menu, the GREEN/WHITE wire will operate with the same function as the GREEN (Unlock Output).

Note: This can only be programmed using the FlashLogic Weblink or Weblink Mobile.

Lock Output	Ground While Armed (GWA)
Unlock Output	Ground While Disarmed (GWD)
2nd Unlock Output	Ch. 3 ALT Output
Trunk Output	Ch. 4 AUX Output
Dome Light Output	Ch. 5 AUX Output
Head Light Output	Ch. 6 AUX Output
Horn Output	Ch. 7 AUX Output
LED Output	

Door Lock

This option supplies a pulse when the Lock function is activated from the remote control or system.

Door Unlock

This option supplies a pulse when the Unlock function is activated from the remote control or system.

2nd Door Unlock

This option supplies a pulse when the Unlock function is activated from the remote control or system (2) two times within 10sec. This requires Feature Bank 2, Feature 10 to be programmed ON.

Trunk Release

This option supplies a pulse when the trunk function is activated from the remote control or system

Dome Light

This option will supply an output for 30 seconds with the unlock function from the remote control or system.

Headlight

This option will supply an output for 30 seconds with the option selected in Feature Bank 2, Feature 4.

Horn

This option will supply an output to pulse the vehicle's horn with the timing selected in Feature Bank 2, Feature 8.

LED

This option will supply a pulsed output when the alarm is armed.

Ch. 4 AUX

This option will supply an output when the AUX 1 function is pressed on the remote control or CarLink system. See page 18 for AUX Output Options.

Ch. 5 AUX

This option will supply an output when the AUX 2 function is pressed on the remote control or CarLink system. See page 18 for AUX Output Options.

Ch. 6 AUX

This option will supply an output when the AUX 3 function is pressed on the remote control or CarLink system. See page 18 for AUX Output Options.

Detailed Descriptions: Setup Options

Ch. 7 AUX

This option will supply an output when the AUX 4 function is pressed on the remote control or CarLink system. See page 18 for AUX Output Options.

Ground While Armed (GWA)

This option will supply an output when the Alarm System is Armed.

Ground While Disarmed (GWD)

This option will supply an output when the Alarm System is Disarmed.

Auxiliary Output Control (AUX Control)

Auxiliary (AUX) output control allows each AUX Channel output to be customized to the user or vehicle's need. See the list below for a detailed description of the available options. AUX Ch. Outputs can only be programmed using the FlashLogic Weblink or Weblink Mobile.

1 Second Pulse	20 Second Pulse
5 Second Pulse	30 Second Pulse
10 Second Pulse	Push & Hold
15 Second Pulse	Latch ON/OFF

1 Second Pulse

This option supplies a 1 second pulse each time the AUX Ch. is activated from the remote or CarLink System

5 Second Pulse

This option supplies a 5 second pulse each time the AUX Ch. is activated from the remote or CarLink System

10 Second Pulse

This option supplies a 10 second pulse each time the AUX Ch. is activated from the remote or CarLink System

15 Second Pulse

This option supplies a 15 second pulse each time the AUX Ch. is activated from the remote or CarLink System

20 Second Pulse

This option supplies a 20 second pulse each time the AUX Ch. is activated from the remote or CarLink System

30 Second Pulse

This option supplies a 30 second pulse each time the AUX Ch. is activated from the remote or CarLink System

Push & Hold

This option will supply an output when the remote button is pressed by the user and will remain on until the user releases the remote button.

Latch ON/OFF

This option will supply an output when the AUX Ch. is activated from the remote control or CarLink system and remain on until the AUX Ch. is activated again.

Detailed Descriptions: System Operation

Programmable Input Control (PIC Control)

Programmable Input Control (PIC) allows each PIC input to be customized to the user or vehicle's need. See the list below for a detailed description of the available options. PIC Inputs can only be programmed using the FlashLogic Weblink or Weblink Mobile.

Door Trigger	Instant Trigger
N.C. Door Trigger	Pre-Warn Shock Trigger
Hood Trigger	Fill Shock Trigger
Trunk Trigger	

Door Trigger Input

This option will be used for all Door trigger functions including Alarm Trigger. If using an LCD RF kit this input will display the Door icon when the Alarm is triggered.

Normally Closed Door Trigger Input

This option will be used in vehicles with a Normally Closed Door Trigger. This type of circuit will be show Ground (-) or Positive (+) when the vehicle door is closed then switch to an Open Circuit when the door is open. If using an LCD RF kit this input will display the Door icon when the Alarm is triggered.

Hood Trigger Input

This option will be used for all Hood trigger functions including Alarm trigger. If using an LCD RF kit this input will display the Hood icon when the Alarm is triggered.

Trunk Trigger Input

This option will be used for all Trunk trigger functions including Alarm trigger. If using an LCD RF kit this input will display the Trunk icon when the Alarm is triggered.

Instant Trigger Input

This option will be used to trigger the Alarm system. If using an LCD RF kit this input will display an audible warning only. No icon will be displayed on the LCD screen.

Full Shock Trigger Input

This option will be used to add additional security sensors to the alarm system. When this input is detected the system will trigger a full alarm cycle. If using an LCD RF kit this input will display the Shock icon when the alarm is triggered

Pre-Warn Shock Trigger Input

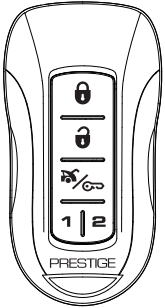
This option will be used to add additional security sensors to the alarm system. When this input is detected the system will beep four (4) times quickly to warn away any potential thief. If using an LCD or LED RF kit this input will not provide a warning when the Pre-Warn input is detected.

Detailed Descriptions: System Operation

Remote Control Operation

This system is compatible with multiple different remote configurations; one (1) button, five (5) button, and LCD remotes. The matrix below describes how each remote offering will control the basic system functions. See Owner's Guide for more detailed information

Five Button Remotes (1-Way & 2-Way LED)



Button	Action	Function
🔒	Press 1x	Lock
	Hold 3 Seconds	Panic ON/OFF
🔓	Press 1x	Unlock
	Hold 3 Seconds	Panic ON/OFF
🚗	Press 2x	Ch. 3 ALT Output
	Hold 3 Seconds	Trunk Release
1	Press 1x	Programable AUX
	Press & Hold	
2	Press 1x	Programable AUX
	Press & Hold	

LCD Remotes (2-Way)



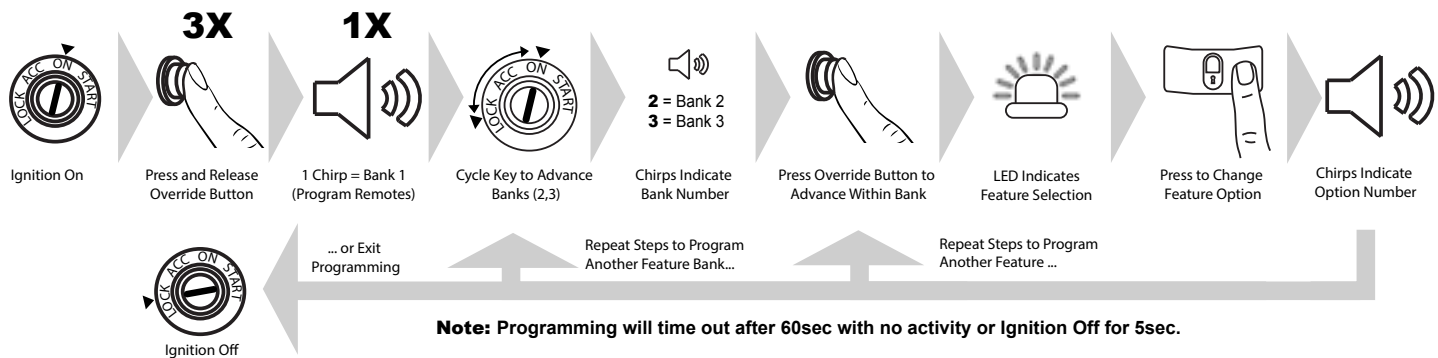
Button	Action	Function
🔒	Press 1x	Lock
	Hold 3 Seconds	Panic ON/OFF
🔓	Press 1x	Unlock
	Hold 3 Seconds	Panic ON/OFF
🚗	Press 2x	Ch. 3 ALT Output
	Hold 3 Seconds	Trunk Release
OPT	Press 1x	Programable AUX
	Press & Hold	
🔒+🔓	Press 1x	Programable AUX
	Press & Hold	
🔒+🚗	Press 1x	Programable AUX
	Press & Hold	
🔒+🔓+🚗	Press 1x	Programable AUX
	Press & Hold	

Quick Reference: System Programming

Programming Mode Entry and Exit Procedure

Once the system is installed and powered up, you will use the vehicle ignition, override button and a programmed remote control to set all system options. Feature options are divided into categories, or **Banks**, as described throughout this section. **Ensure that at least one remote control is programmed** to the system. If not, or if you need to program more remote controls, use the diagram steps to access **Bank 1**.

The siren and LED will indicate your status and selections. Follow the diagram below to enter and maneuver through the programming procedure.



1. Turn the ignition ON.
2. Press and release the valet/override button three (3) times.
3. The system will beep (1) one time, indicating you have accessed Bank 1.
4. Each cycle of the Ignition, OFF/ON, will advance to the next bank (up to Bank 3) then restart at Bank 2. (Note: To re-access Bank 1 for transmitter programming, you will need to exit and re-enter programming mode.)
5. The system will beep a number of times to indicate the Bank number:
 - 1 beeps: **Bank 1 - [Programming Remote Controls](#)**
 - 2 beeps: **Bank 2 - [Security Control Options](#)**
6. Once you have accessed the desired bank, press the valet/override button to advance through the features. The LED will flash a number of times to indicate the feature, based on the charts that follow this section. The system will chirp a number of times to indicate the Option programmed.
7. Once you have accessed the desired feature, press the LOCK button on the remote control to advance through the feature's setting options. The system will beep a number of times to indicate the Option setting, based on the charts that follow this section.
8. Once you have made the desired setting, you can press the valet/override button to advance through the features within the bank, or cycle the Ignition key OFF/ON to advance to the next bank.
9. Once you have completed programming, **you MUST turn the ignition key to OFF** to exit the programming mode. Programming will automatically exit after 60 seconds of inactivity.

Quick Reference: System Programming

Bank 1: Transmitter Programming Options [See page 7 for a detailed description.](#)

Feature Bank 1		Description	
Channel	1	Auto Program/Lock	Press Lock button on remote
	2	Unlock	Press Unlock button on remote
	3	Trunk/Start	Press Trunk/Start button on remote
	4	Ch. 4 AUX	Press button/buttons to control AUX Ch. 4
	5	Ch. 5 AUX	Press button/buttons to control AUX Ch. 5
	6	Ch. 6 AUX	Press button/buttons to control AUX Ch. 6
	7	Ch. 7 AUX	Press button/buttons to control AUX Ch. 7

Bank 2: Security Options [See pages 8-10 for detailed descriptions.](#)

Features		Options						
		1 Chirp	2 Chirp	3 Chirp	4 Chirp	5 Chirp	6 Chirp	
Features	1	Lock / Unlock Function	500ms	3.5sec	500ms L, DBL UL	DBL L, 500ms UL	DBL L, DBL UL	500ms L, 350ms UL
	2	Ignition Lock	OFF	ON				
	3	Ignition Unlock	OFF	Unlock All	Unlock Driver			
	4	Exterior Illumination	OFF	With Arm	With Disarm	With Arm & Disarm		
	5	Auto Relock	OFF	Auto Lock Only	Auto Lock & Arm			
	6	Auto Arming / Locking	OFF	Auto Arm Only	Auto Lock & Arm			
	7	Notification Sound	Both	Siren	Horn			
	8	Horn Timing	16ms	30ms	40ms	50ms	10ms	
	9	Valet Override Method	Valet	Custom Code	Stand Alone Valet			
	10	Driver Priority Unlock	OFF	ON				
	11	Silent Choice	OFF	From Transmitter	OEM Style			
	12	Security Profile	All On	Doors Off	Hood/trunk Off	All Off	All On w/ OEM RS	
	13	Door Trigger Input	Negative	Positive				
	14	Park Light / Trunk Swap	OFF	ON				
	15	Data Port Protocol	ADS	DBI				
	16	1 or 2 Wire Disarm	2 Wire	1 Wire				
	17	Disarm Input	120ms Dr OR Pass	80ms Dr OR Pass	120ms, UL & Light	80ms, UL & Light		
	18	Arm 1 Input	Auto Detect	Positive	Negative			
	19	Disarm 1 Input	Auto Detect	Positive	Negative			
	20	Arm 2 Input	Auto Detect	Positive	Negative			
	21	Disarm 2 Input	Auto Detect	Positive	Negative			
	22	Trunk Shunt Input	Auto Detect	Positive	Negative			
	23	Dome Light Delay Timer	OFF / Program	15sec	30sec	45sec	60sec	120sec
	24	Alarm Trigger Length	30sec	45sec	60sec	90sec	120sec	

Data Port Protocol Selection

The default data port protocol of this model is ADS (iDatalink 2-Way). This model is capable of detecting the correct data port protocol (ADS or DBI) and automatically configuring Feature Bank 2; Feature 18. To initialize the detection procedure:

1. Press and hold the valet button.
2. Cycle the vehicle's Ignition ON/OFF two (2) times.
3. Release the valet button.

Note: This feature is only available on module firmware v2.0 or higher.

Quick Reference: System Programming & Diagnostics

Dome Light Delay

To program the Prestige system to wait until the dome light turns off before arming:

1. Close all doors.
2. With the vehicle ignition off, press LOCK, UNLOCK, LOCK, UNLOCK, LOCK, UNLOCK, LOCK on the remote control. The dash-mounted LED will turn on.
2. Immediately OPEN then CLOSE the door WITHOUT disarming the system. After the dome light turns off, the LED will flash to indicate programming completion.
3. Disarm and exit the vehicle.

To return the system to default dome light sensing:

1. Turn the vehicle ignition ON then OFF three (3) times, then press and hold the valet button for five (5) seconds.
2. The system will beep one (1) time indicating the learned delay has been cleared.

Silent Arm and Disarm

Program the Prestige system to arm and disarm without notification beeps. (The siren will sound if the system is triggered while armed.)

1. Turn the ignition ON then OFF.
2. Press and release the valet/programming button three (3) times. The system will respond with one (1) beep for ON or two (2) beeps for OFF.

User Selectable LED

This feature will control whether the LED is ON or OFF when the system is Armed/Locked. This will be selectable in feature programming OR on-the-fly without entering the programming feature banks.

1. Turn the ignition ON, OFF, ON, OFF.
2. Press and hold valet button for five (5) seconds.

The LED will flash one (1) time for ON, two (2) times for OFF. This feature will not affect LED flash during programming.

Troubleshooting Trigger Zones

Test the doors, hood, trunk, and shock sensor to ensure they trigger the security system. Once triggered, the LED flashes to indicate the trigger source:

1	Shock
2	Trunk/Hood
3	Door

Adjusting the Shock Sensor

1. Arm the system, wait 5-10 seconds, then with an open palm carefully apply impact to areas of the vehicle to test the shock sensor's sensitivity.
2. To adjust, turn the adjustment knob on the shock sensor counter-clockwise for less sensitivity; clockwise for more sensitivity.
3. If the proper sensitivity still cannot be achieved, re-locate the shock sensor.

Quick Reference: Alarm Override Procedures

Valet Alarm Override

The Valet Override procedure will disable the alarm when the remote is not available or has become inoperative. If the vehicle door is opened without disarming, the alarm will sound and the vehicle will not start when attempting to start with the key. To disable the alarm:

1. Turn the vehicle ignition to ON.
2. Within five (5) seconds, press and release valet button one (1) time.

The alarm will silence and the vehicle will now start normally with the key.

Custom Code Override

Unlike the default Valet Override, Custom Code Override is a user personalized code that offers a higher level of security. If the user chooses to use Custom Code Override, Feature Bank 2 ; Feature 9 must be programmed for "Custom Code". Once the option has been selected the code must be programmed. Once the Custom Code is programmed it cannot be changed without first disarming the alarm.

Custom Code Override Procedure

The Custom Code is made up of 2 numbers. Each chosen number must be between digits 1-9. The default Custom Code is "11". To disarm the alarm using the Custom Code option:

1. Turn the vehicle ignition to ON.
2. Within five (5) seconds, Press the valet button one (1) time.
3. Within five (5) seconds, Turn the ignition OFF/ON.
4. Within five (5) seconds, Press the valet button one (1) time.
5. Turn the vehicle ignition to OFF then ON to start the vehicle.

Custom Code Programming Procedure

In this example, the user has selected Custom Code "23". To program a user selected custom code start with the alarm disarmed:

1. Turn the ignition to the ON position
2. Within ten (10) seconds, press the valet button three (3) times to enter programming.
3. Within ten (10) seconds, Cycle the ignition OFF/ON, OFF/ON, OFF/ON. The system will beep one (1) time.
4. Within ten (10) seconds, Press the valet button two (2) times. This number will indicate the first digit of the chosen Custom Code.
5. Within ten (10) seconds, Cycle the ignition OFF/ON.
6. Within ten (10) seconds, Press the valet button three (3) times. This number will indicate the second digit of the chosen Custom Code.
7. Cycle the ignition OFF.

If the Custom Code was accepted the LED will flash the first number (2), pause, then the second number (3). This will repeat two (2) more times to confirm the Custom Code entry. If after 15sec the LED does not flash please repeat steps 1-7.

Stand Alone Override

Stand Alone Valet Override is an option available to override the alarm without the use of the valet button. This requires Feature Bank 2, Feature 9 to be programmed for "Stand Alone Valet". Once programmed, to disarm the alarm without the use of the remote or valet button:

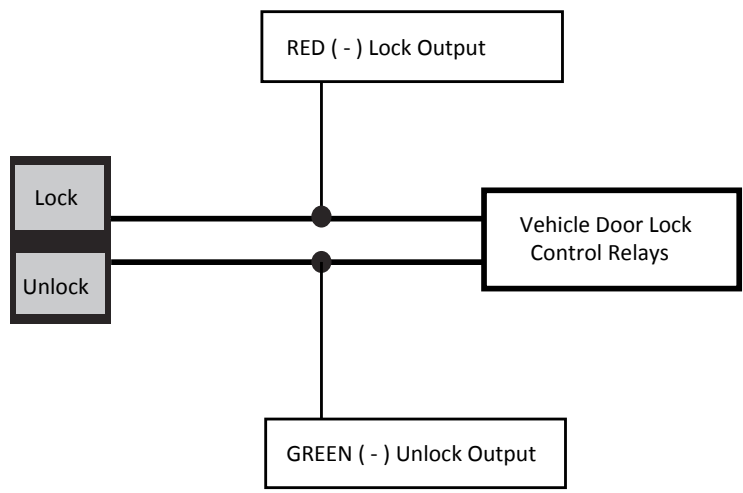
1. Within five (5) seconds, Cycle the ignition ON, OFF, ON.
2. Within Five (5) seconds, Press brake pedal three (3) times.

Quick Reference: Wiring Diagrams

Door Lock Connections

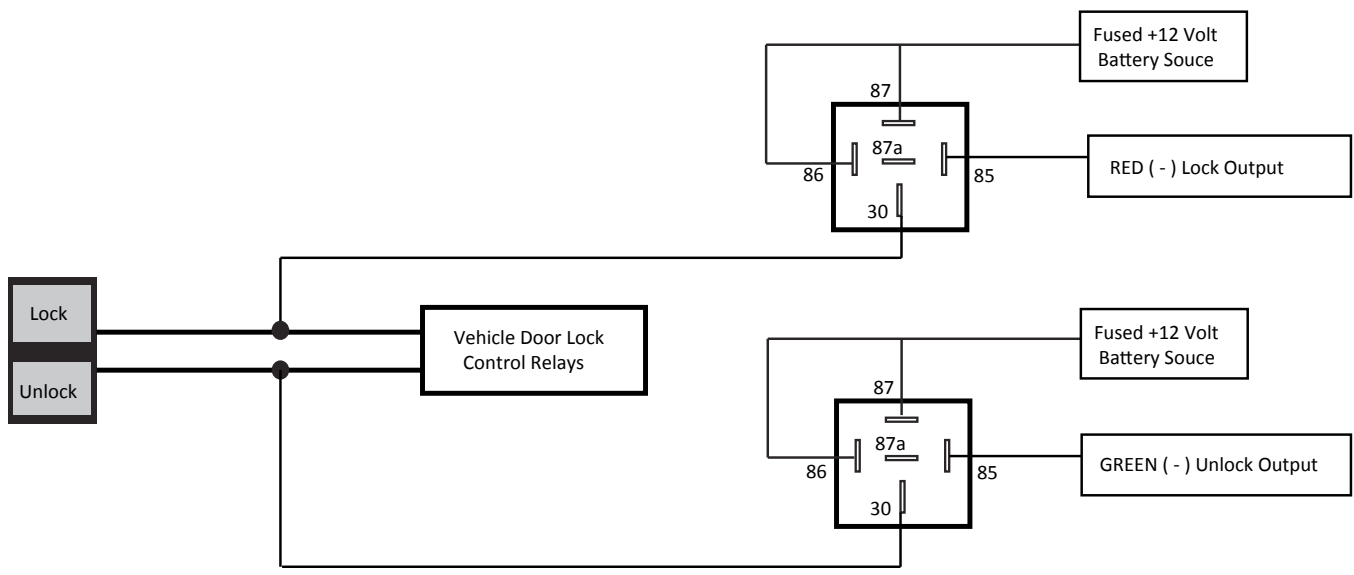
Negative-Trigger Door Locks

Verification: The vehicle wires register Ground when the Lock and Unlock switches are activated.



Positive-Trigger Door Locks

Verification: The vehicle wires register 12V+ when the Lock and Unlock switches are activated.

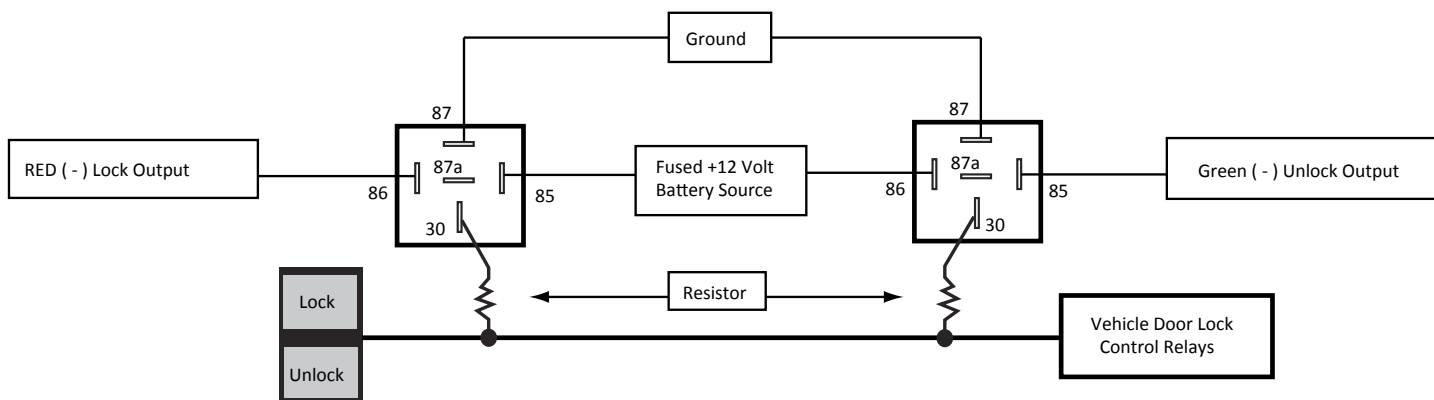


Quick Reference: Wiring Diagrams

Door Lock Connections

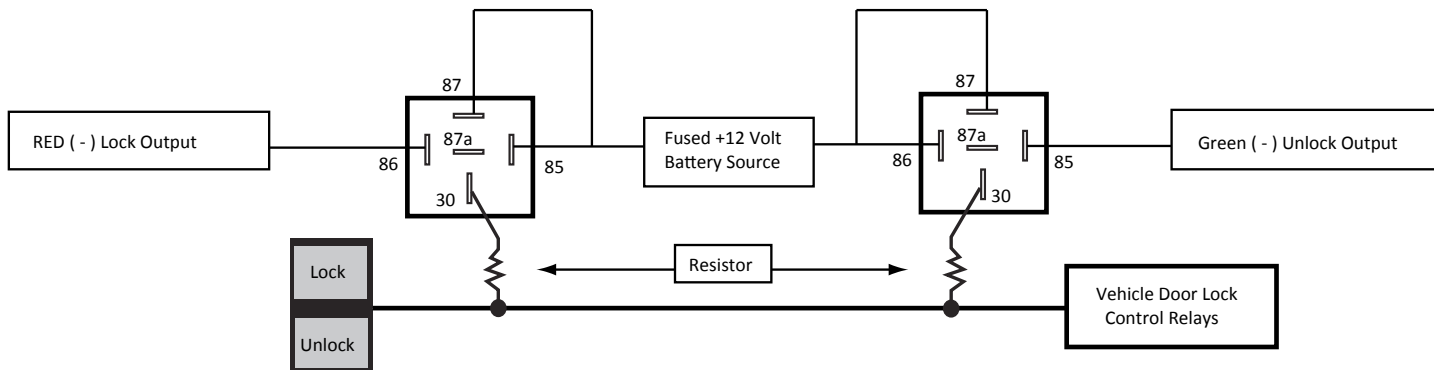
Single-Wire Negative Multiplex Door Locks (Relays required)

Verification: The vehicle wire registers variable Ground values when the Lock and Unlock switches are activated. Please consult the vehicle-specific wire and location chart for resistor values.



Single-Wire Positive Multiplex Door Locks (Relays required)

Verification: The vehicle wire registers variable 12V+ values when the Lock and Unlock switches are activated. Please consult the vehicle-specific wire and location chart for resistor values.

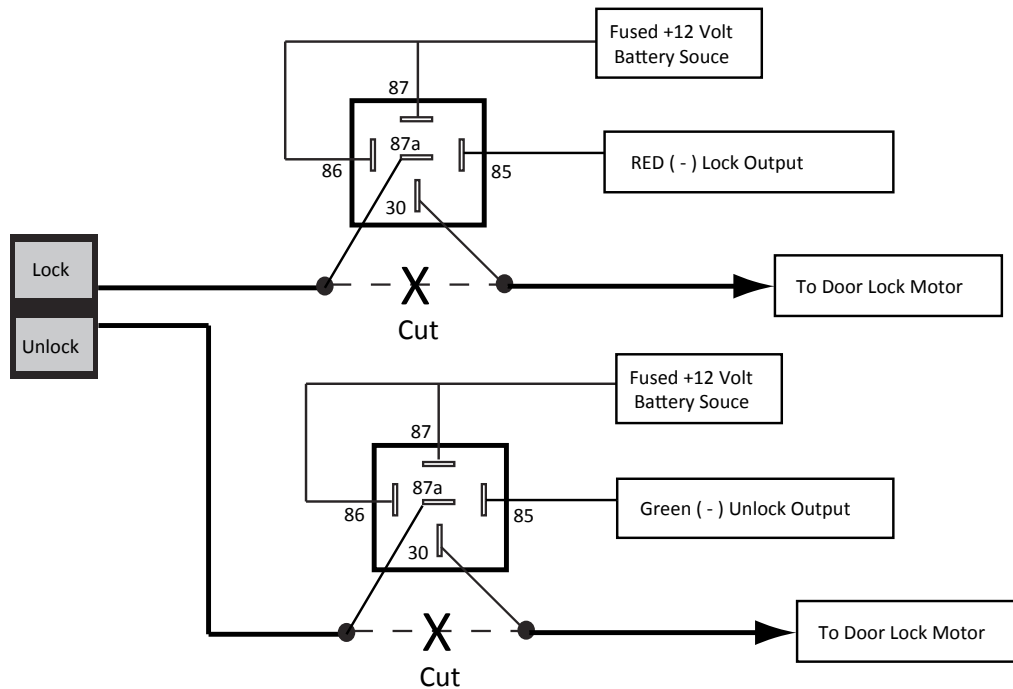


Quick Reference: Wiring Diagrams

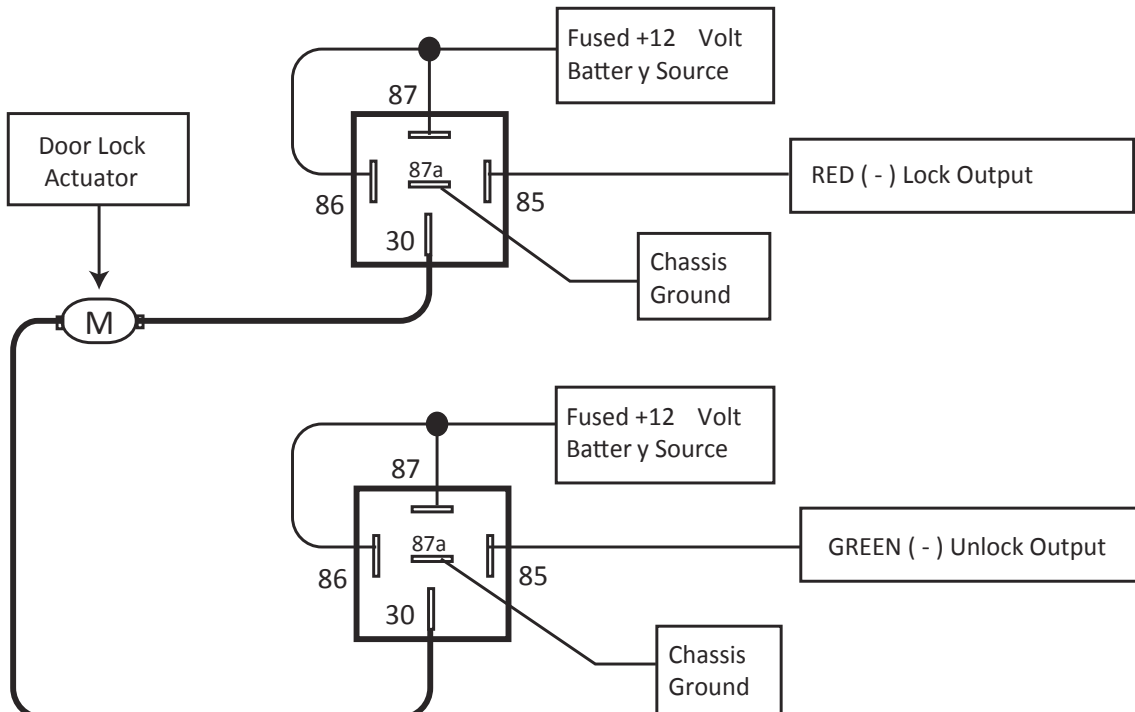
Door Lock Connections

Reverse-Polarity Door Locks (Relays required)

Verification: The vehicle wires rest at Ground and register 12V+ when the Lock and Unlock switches are activated.



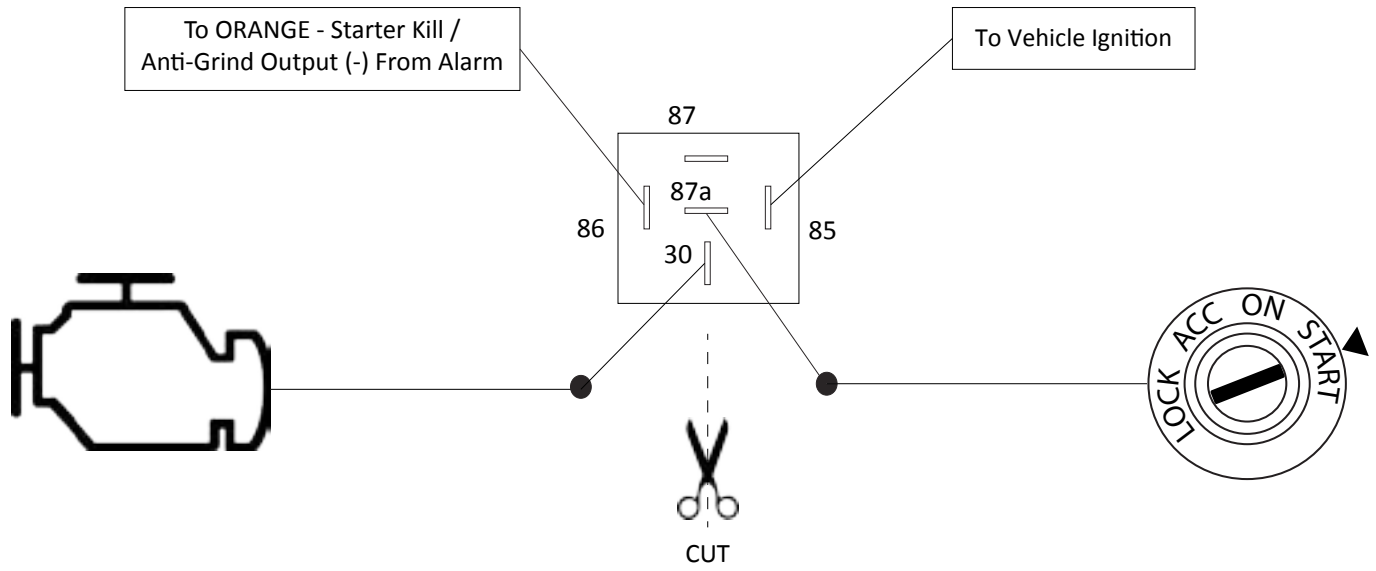
Aftermarket Actuators (Relays and door lock actuators required)



Quick Reference: Wiring Diagrams

Starter Kill / Anti-Grind Relay Connections

Included Starter Kill / Anti-Grind Relay



Quick Reference: Wiring Diagrams

