

## Car Link Installation Guide

The Car Link system is compatible with any Code Alarm, Prestige or Pursuit models that have the Telematic/Tracking port or with ANY make or model having an external start activation input. Car Link can also be used as a stand alone keyless entry system.

### **DATA MODE**

This configuration is used when connecting to the telematic/tracking port of a Code Alarm, Prestige or Pursuit module.

#### **RED BATTERY 12V (+)**

Connect the RED wire to a fused 12V battery source.

#### **BLACK GROUND**

Connect the BLACK wire to a solid chassis ground point. Remove any paint from the grounding point. Do not ground with any other vehicle components.

#### **GREEN AUX 1 OUTPUT (-)**

In data mode this wire is controlled by the AUX 1 icon and provides a 1, 3.5 or 10 second ( - ) 500mA output capable of driving relays. This wire can be used to control power sliding doors, window control modules or other accessories.

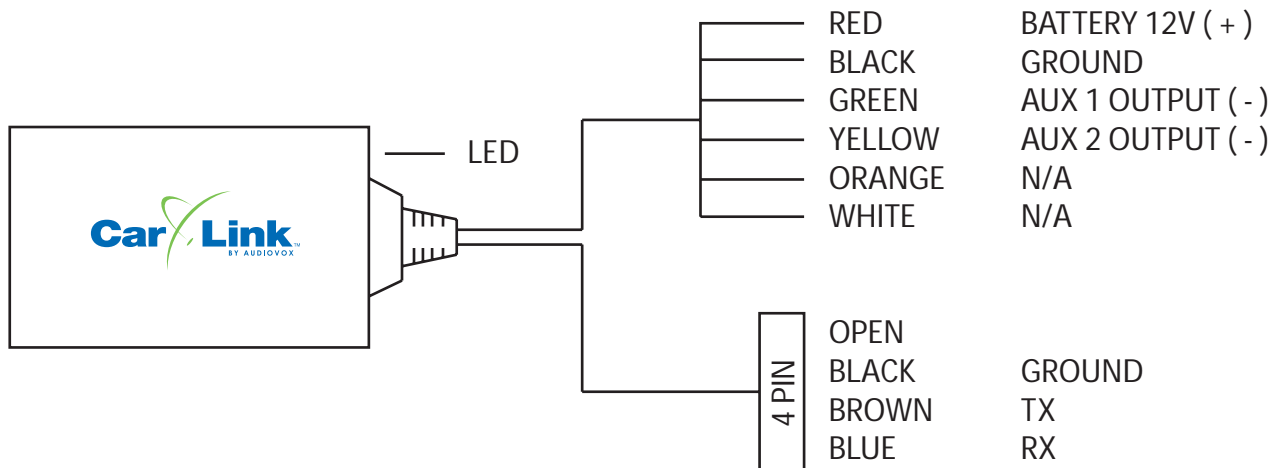
#### **YELLOW AUX 2 OUTPUT (-)**

In data mode this wire is controlled by the AUX 2 icon and provides a 1, 3.5 or 10 second ( - ) 500mA output capable of driving relays. This wire can be used to control power sliding doors, window control modules or other accessories.

#### **4 PIN CONNECTOR**

Connect directly to the telematic/tracking port of the security/remote start module for control of convenience features.

## DATA MODE



## **ANALOG MODE**

This configuration is used where the telematic/tracking port is not present. For remote start activation, an external remote start activation input must be present.

### **RED                    BATTERY 12V (+)**

Connect the RED wire to a fused 12V battery source.

### **BLACK                GROUND**

Connect the BLACK wire to a solid chassis ground point. Remove any paint from the grounding point. Do not ground with any other vehicle components.

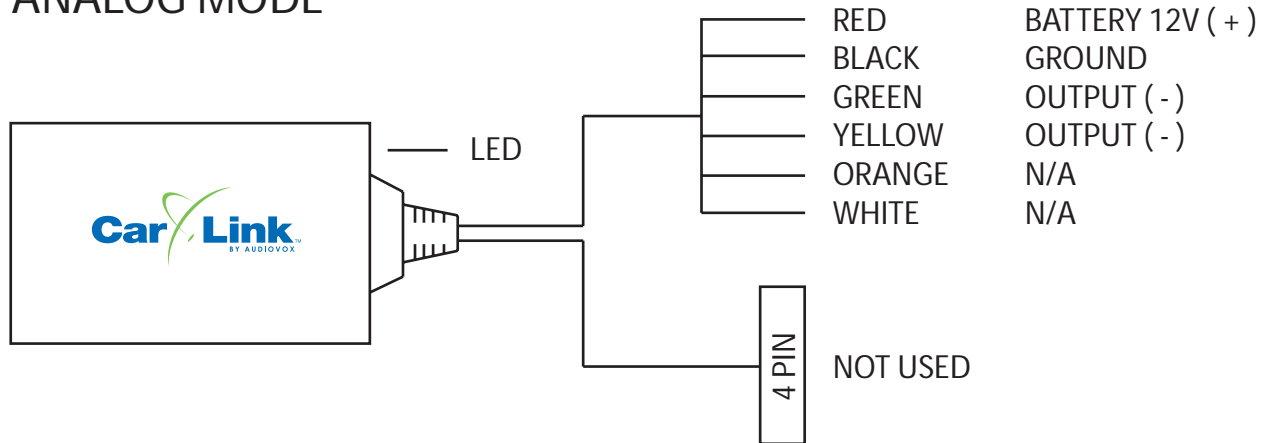
### **GREEN                OUTPUT (-)**

In analog mode this wire is controlled by the UNLOCK icon and provides a 1, 3.5 or 10 second ( - ) 500mA output capable of driving relays.

### **YELLOW              OUTPUT (-)**

In analog mode this wire is controlled by the START icon and provides a 1, 3.5 or 10 second ( - ) 500mA output capable of driving relays. Connect this wire to the external remote start activation wire of the remote start system.

## **ANALOG MODE**



## **Status LED's**

### **ORANGE - Comm LED**

OFF	Modem Off
Slow Blink	Comm On - Searching
Fast Blink	Network Available
Solid to Fast Blink	Registered / no inbound acknowledgment
Solid	Registered / received inbound acknowledgment



**Technical Support (800) 225-6074**  
or go to  
<http://techservices.audiovox.com>