

# BTHFMOD Installation Instructions

**PROFESSIONAL INSTALLATION STRONGLY RECOMMENDED**

## **Installation Precautions:**



Roll down window to avoid locking keys in vehicle during installation



Avoid mounting components or routing wires near hot surfaces



Avoid mounting components or routing wires near moving parts



Tape or loom wires under hood for protection and appearance



Use grommets when routing wires through metal surfaces



Use a Digital Multi Meter for testing and verifying circuits. **DO NOT USE A TEST LIGHT, OR "COMPUTER SAFE PROBE"** as these can set off air bags or damage vehicle computers.



**Technical Support (800) 225-6074**  
or go to  
<http://techservices.audiovox.com>

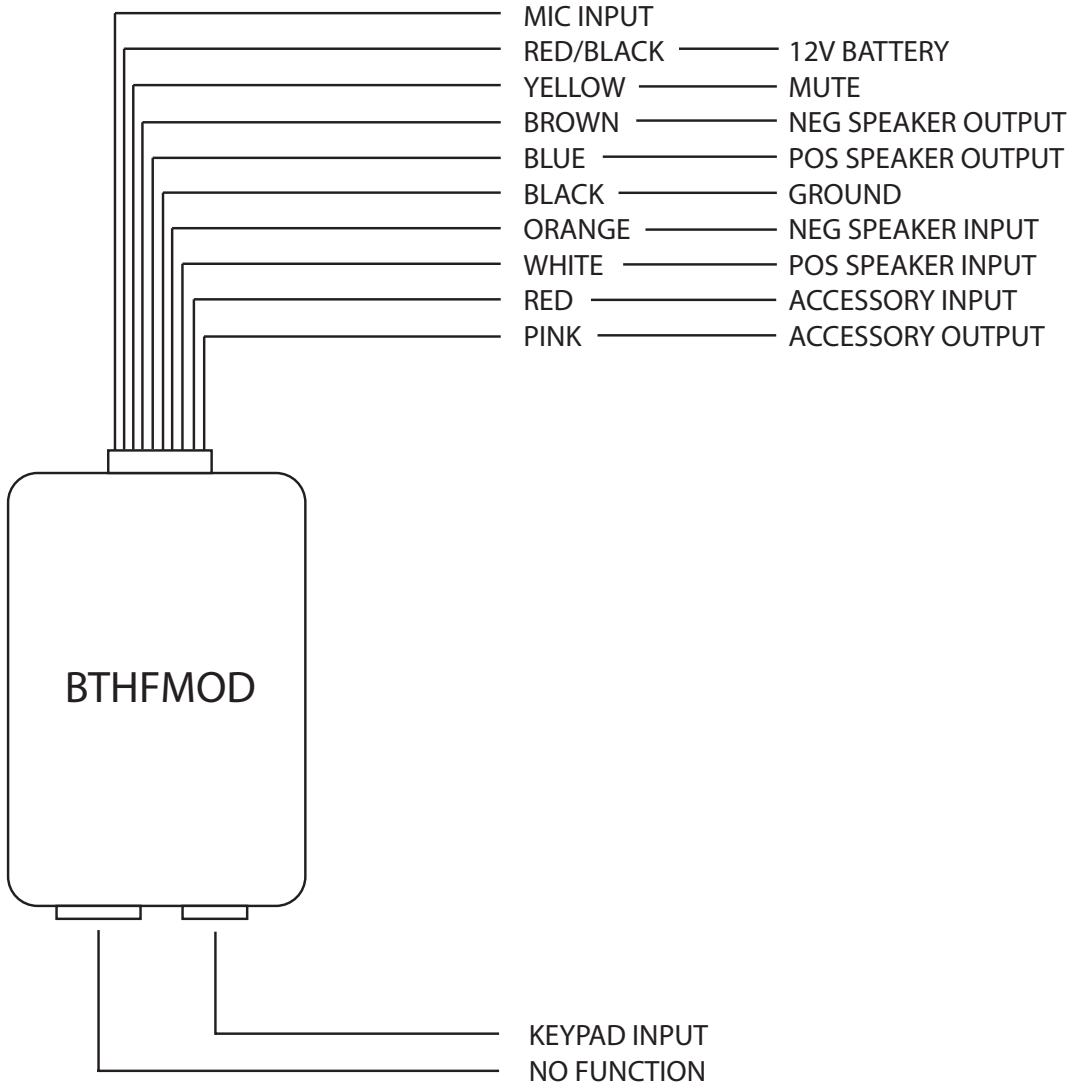
### **FCC COMPLIANCE**

This device complies with Part 15 of the FCC rules and with RSS-210 of Industry Canada. Operation is subject to the following two conditions:

1. This device may not cause harmful interference, and
2. This device must accept any interference received, including any interference that may cause undesired operation.

**Warning!** Changes or modifications not expressly approved by the party responsible for compliance could void the user's authority to operate the equipment.

# BTHFMOD System Layout



## MAIN POWER HARNESS

### RED/BLACK: Battery Power

Locate the factory radio's constant +12 Volt battery source behind the factory radio.

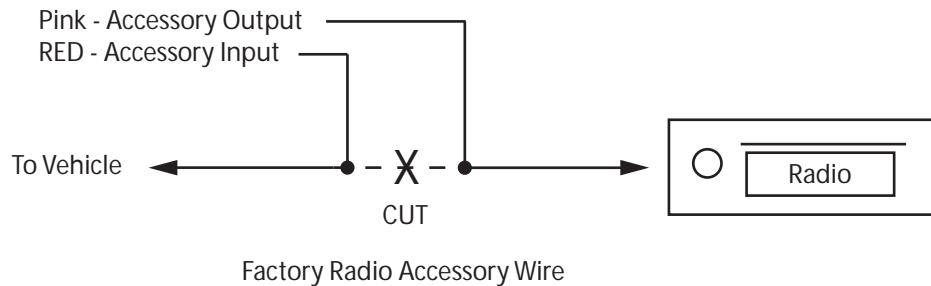
*Verification:* This wire will register voltage in all positions of the ignition switch.

- ▶ Connect the RED/BLACK wire to the factory radio's constant 12 Volt battery wire.

### RED: Accessory Input

### PINK: Accessory Output

Locate and cut the factory radio's +12 Volt accessory wire, connect the RED accessory input wire to the side going to the vehicle and connect the PINK accessory output wire to the side going to the radio. This will interrupt power going to the radio when the hands free kit is in use.



NOTE: When using the YELLOW radio mute output, it will not be necessary to cut the radio's accessory wire and the PINK wire will not be used.



### BLACK: Ground

Connect the BLACK wire to a known vehicle ground source or to a solid clean metal part of the chassis. Be certain to remove any paint or grease and secure this wire with a self tapping screw and ring terminal.

### YELLOW: Radio Mute Output (Optional)

Connect the YELLOW wire to the factory mute input wire (if equipped). This wire provides a ground output when the hands free kit is in use and will mute the factory radio.

## MAIN POWER HARNESS, CONTINUED

### ORANGE - NEG Speaker Input

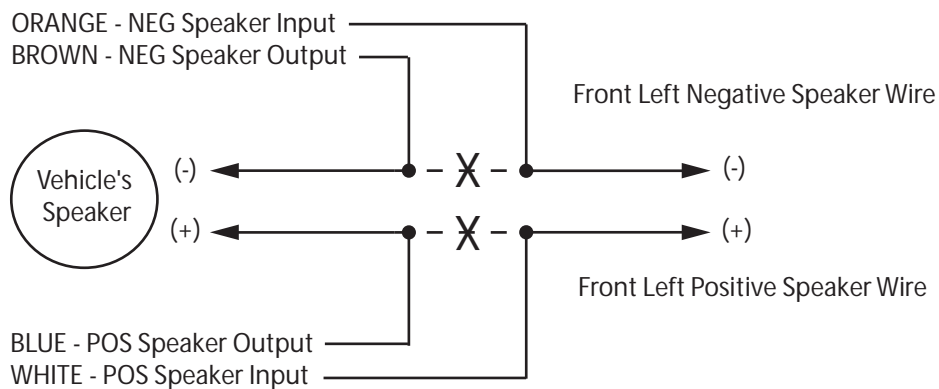
### BROWN - NEG Speaker Output

Locate and cut the front left negative speaker output, connecting the ORANGE input wire to the side going to the radio and connecting the BROWN output wire to the side going to the vehicle's speaker.

### WHITE - POS Speaker Input

### BLUE - POS Speaker Output

Locate and cut the front left negative speaker output, connecting the WHITE input wire to the side going to the radio and connecting the BLUE output wire to the side going to the vehicle's speaker.



### MICROPHONE

Determine a good mounting location for the microphone. It is recommended that the microphone be mounted at the top of the drivers A pillar. Use the supplied double sided tape to mount the base of the microphone and carefully run the cable to the MIC input of the control unit.

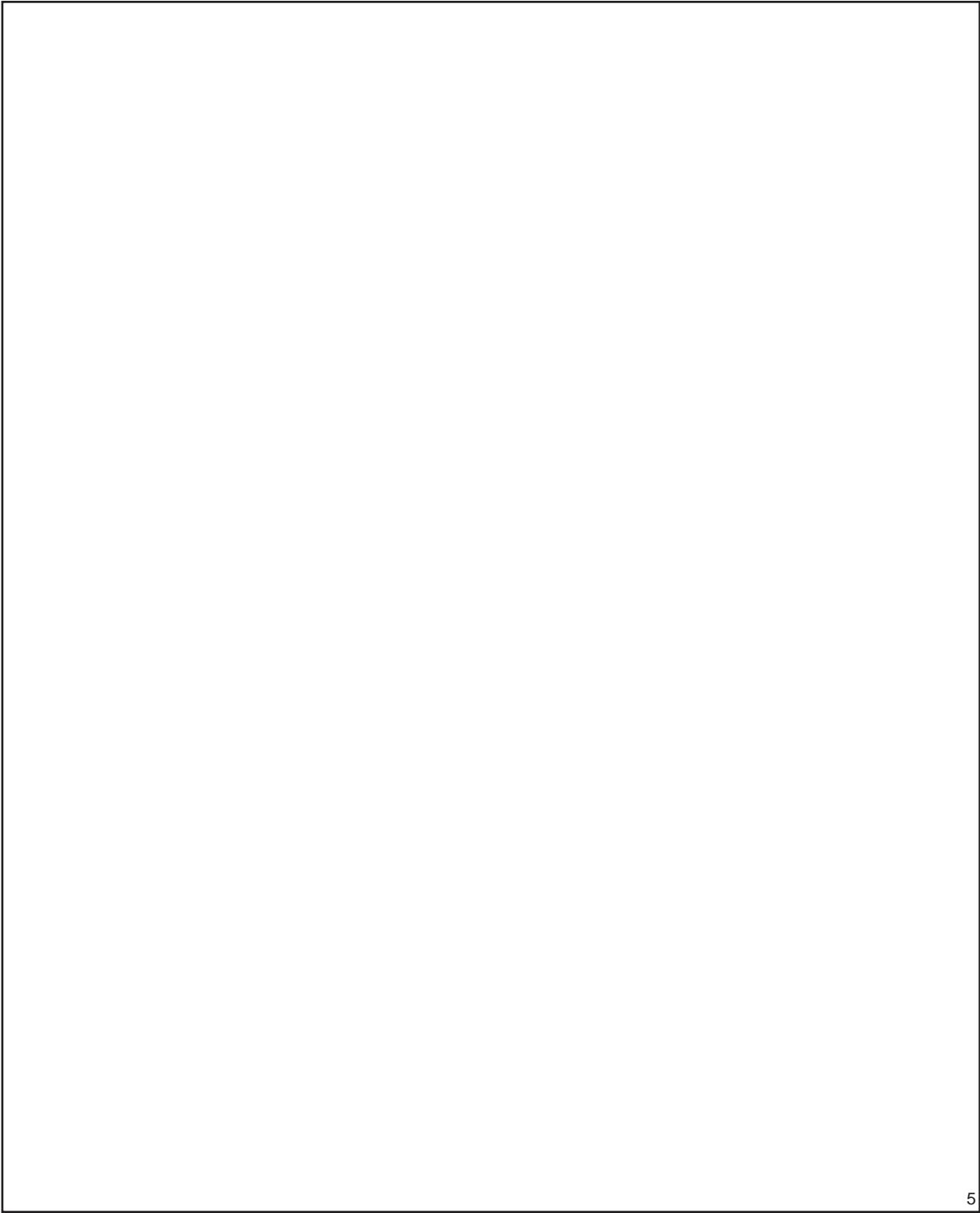
### KEYPAD

Mount the keypad and run the cable to the keypad input of the control unit.

### CONTROL UNIT

After all connections have been made and you have tested the system secure the control unit in place.

Installation complete.



///ADVENT®