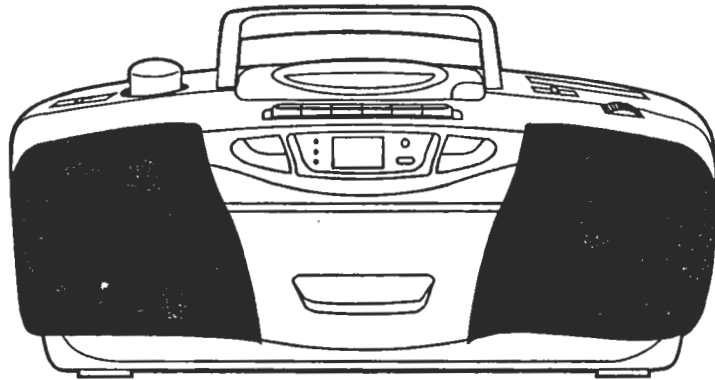


PORTABLE CD SYSTEM

OPERATION INSTRUCTIONS



The lightning flash and arrowhead within the triangle is a warning sign alerting you of "dangerous voltage" inside the product.

WARNING

**RISK OF ELECTRIC SHOCK
DO NOT OPEN**

CAUTION: TO REDUCE THE RISK OF ELECTRIC SHOCK, DO NOT REMOVE COVER (OR BACK) NO USER-SERVICEABLE PARTS INSIDE. REFER SERVICING TO QUALIFIED SERVICE PERSONNEL.



The exclamation point within the triangle is a warning sign alerting you of important instructions accompanying the product.

WARNING: TO REDUCE THE RISK OF FIRE OR ELECTRIC SHOCK, DO NOT EXPOSE THIS APPLIANCE TO RAIN OR MOISTURE.

WARNING

CAUTION
INVISIBLE LASER RADIATION
WHEN OPEN AND INTERLOCKS
DEFEATED.
AVOID EXPOSURE TO BEAM



This product contains a low power laser device.

PRECAUTIONS

Follow the advice below for safe and appropriate operations.

ON PLACEMENT

- Do not use the unit in places which are extremely hot, cold, dusty, or humid.
- Place the unit on a flat and even surface.
- Do not restrict the air flow of the unit by placing it in a place with poor air flow, by covering it with a cloth, or by placing it on a carpet.

ON SAFETY

- When connecting and disconnecting the AC cord, grip the plug and not the cord itself. Pulling the cord may damage it and create hazard.
- When you are not going to use the unit for a long period of time, disconnect the AC power cord.

ON AC VOLTAGE

- Before use, check that the rated voltage of your unit matches your local voltage.

ON CONDENSATION

- When left in a heated room where it is warm and damp, water droplets or condensation may form inside the CD player.
- When there is condensation inside the unit, the unit may not function normally.
- Let it stand for 1 to 2 hours before turning the power on, or gradually heat the room up and dry the unit before use.

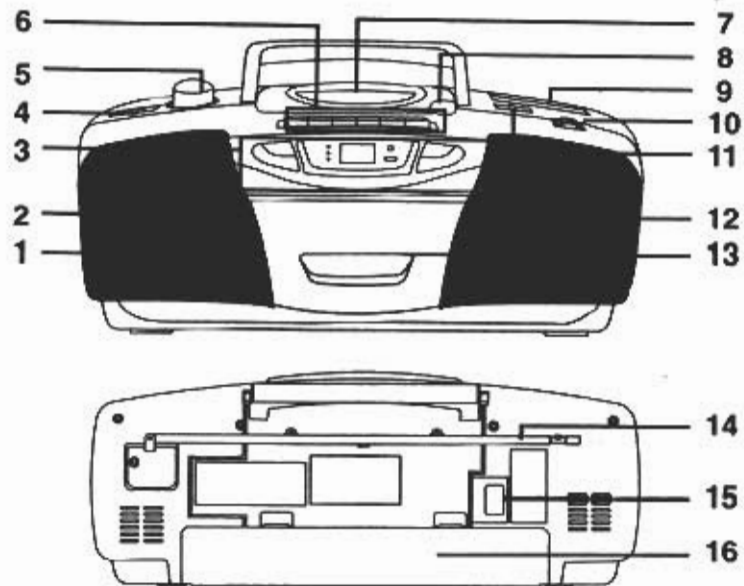
Should any trouble occur, disconnect the AC power cord and refer servicing to qualified personnel.

FCC INFORMATION

This device complies with Part 15 of FCC Rules. Operations are subject to the following two conditions:

- (1) This device may not cause harmful interference, and
- (2) This device must accept any interference received, including interference that may cause undesirable operations.

PARTS IDENTIFICATION



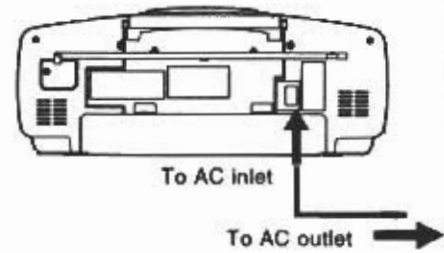
- | | |
|---------------------------------|---------------------------------|
| 1. PHONES jack (for Headphones) | 6. Cassette operation buttons |
| 2. TONE control | ▬▬ PAUSE |
| 3. CD operation section | ■▲ STOP/EJECT |
| ▬▬ Reverse Skip | ◀◀ F.FWD (Fast Forward) |
| ▶▶ Forward Skip | ▶▶ REWIND |
| PAUSE indicator | ◀ PLAY |
| REPEAT ALL indicator | ● RECORD |
| REPEAT ONE indicator | 7. CD compartment |
| CD Display Window | 8. CD door open button |
| REMOTE SENSOR | 9. Dial scale |
| REPEAT button | 10. TUNING control |
| ■ Stop | 11. BAND selector |
| ▶▬▬ Play/Pause | 12. BEAT CUT / FM MODE selector |
| 4. FUNCTION selector | 13. Cassette compartment |
| 5. VOLUME control | 14. Telescopic antenna |
| | 15. AC socket |
| | 16. Battery compartment |

POWER SUPPLY

USING HOUSE CURRENT

- Before use, check that the rated voltage of your unit matches your local voltage.

Caution: To prevent electrical shock, match wide blade of plug to wide slot, fully insert.



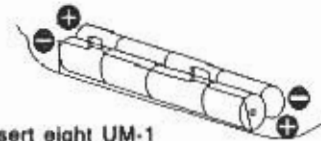
USING BATTERIES

Disconnect the AC power cord from the AC inlet of the unit. Battery power is cut automatically by the cord when it is connected.

When the volume decreases, or the sound distorts, replace all of the batteries with new ones.



Battery door



Insert eight UM-1 (size D) batteries

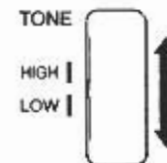
ADJUSTING THE SOUND

TO ADJUST THE VOLUME



TO ADJUST SOUND QUALITY

Select the tone for high or low frequency range.



WHEN RECORDING

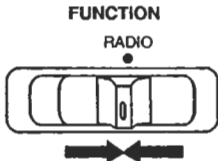
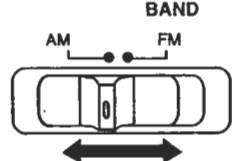
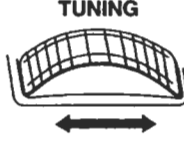

The VOLUME control and TONE control may be adjusted with no effect on the recorded signal.

FOR PRIVATE LISTENING

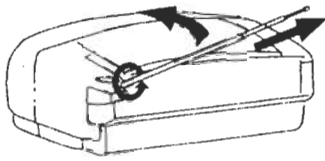
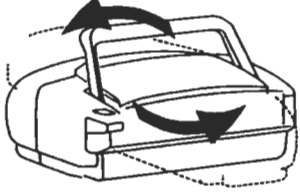
Connect a headphone (ø3.5mm stereo mini-plug) to the PHONES jack.

When the headphone is connected, speakers are automatically disconnected.

LISTENING TO THE RADIO

<p>1. Set to RADIO.</p> 	<p>2. Select a band.</p> 
<p>3. Tune into a station.</p> 	<p>4. Adjust the sound.</p> 

FOR BETTER RECEPTION

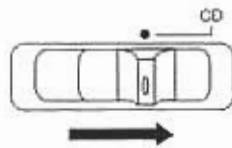
<p>FM</p> 	<p>AM</p> 
--	--

IF THE FM BROADCAST SIGNAL IS WEAK
Set the FM MODE selector to MONO.
Background noise will be reduced but the broadcast will become monaural.

AFTER LISTENING
Set the FUNCTION selector to TAPE.

COMPACT DISC PLAYBACK

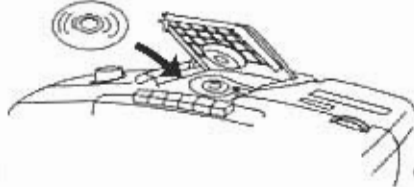
1. Set to CD. **FUNCTION**



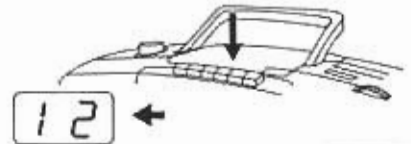
2. Open the disc holder by pushing the lid corner,



3. Insert a disc with the labelled side facing up.



4. Close the disc holder. The disc will rotate and the display window will show the total number of tracks for a few seconds.



5. Press the ►|| Play/Pause button.



TO INTERRUPT PLAYBACK

Press the ►|| Play/Pause button and the "PAUSE" indicator lights up. To resume playback, press the ►|| Play/Pause button again and the indicator turns itself off.



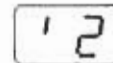
TO STOP PLAYBACK

Press the STOP button.



NOTE:

For tracks number 20-29, a ' / ' is used to represent ' 2 '. For example, 22:



TO SKIP TO THE BEGINNING OF A TRACK

- Press either one of the ◀◀ / ▶▶ skip buttons according to the desired skip direction.
- Playback resumes from the selected track.
- When the ◀◀ button is pressed once during play, the track being played starts again from the beginning.



REPEAT PLAY

This function allows a single track or all tracks on a disc to be played repeatedly.

TO REPEAT THE SAME TRACK

Press the REPEAT button once during playback so that REPEAT ONE indicator lights up.



TO REPEAT THE WHOLE DISC

Press the REPEAT button until REPEAT ALL indicator lights up.



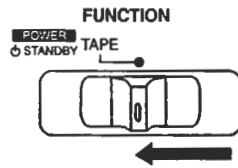
TO CANCEL REPEAT PLAY

Press the REPEAT button repeatedly until all REPEAT indicators are turned off.



TAPE PLAYBACK

1. Set to TAPE.



TO STOP PLAYBACK

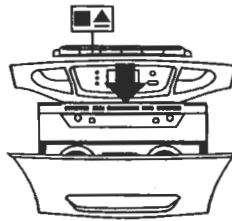
Press the ■▲ STOP/EJECT button.

TO INTERRUPT PLAYBACK

Press the || PAUSE button.

To resume play, press the || PAUSE button again.

2. Insert the cassette.

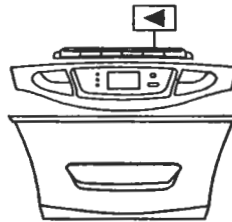


TO FAST WIND

Press the ►► REWIND or ◀◀ F.FWD button.




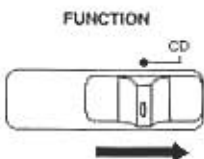
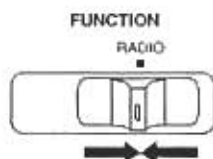

Press the ■▲ STOP/EJECT button to stop winding at the desired position.

3. Press the ◀ PLAY button.



RECORDING

• USE ONLY NORMAL (TYPE I) TAPES FOR RECORDING

<p>1. Insert a cassette tape.</p> 	<p>2. Press the PAUSE button.</p> 	<p>3. Press the ● RECORD button.</p> 	
<p>4. Prepare the source to be recorded and play it.</p> <p>Recording from a CD</p> <p>FUNCTION</p>  <p>Play the CD (see page 6)</p>		<p>Recording from the radio</p> <p>FUNCTION</p> <p>RADIO</p>  <p>Tune into a station (see page 5)</p>	
			<p>5. Press the PAUSE button.</p>

TO STOP RECORDING

Press the **■▲ STOP/EJECT** button.

TO INTERRUPT RECORDING

Press the **|| PAUSE** button.

To resume recording, press the **|| PAUSE** button again.

NOTE

If squealing sounds (beating) are heard when recording from AM(MW), slide the **BEAT CUT** switch at the **side** of the unit to different positions until the noise is eliminated.

TO ERASE A RECORDED TAPE

1. Set the **FUNCTION** selector to **TAPE**.
2. Insert a tape with the side you want to erase facing you.
3. Press the **● RECORD** button to start erasing.

MAINTENANCE



CLEANING CD

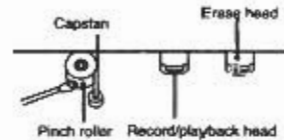
If the CD skips or will not play, the disc may need cleaning. Before playing, wipe the disc from the centre out with a cleaning cloth. After playing, store the disc in its case.

CLEANING THE UNIT

Do not use volatile chemicals on this unit. Clean by lightly wiping with a soft cloth.

IMPORTANT NOTICE:

- Should the CD door be opened before the reading of the CD is completed, a jamming noise may occur. This can be resolved by closing the CD door and then setting the FUNCTION selector temporarily to TAPE (POWER STANDBY).
- If an abnormal display indication or an operating problem occurs, disconnect the AC power cord and remove the batteries. Wait at least 5 seconds, then reconnect the AC power cord or reinstall the batteries.



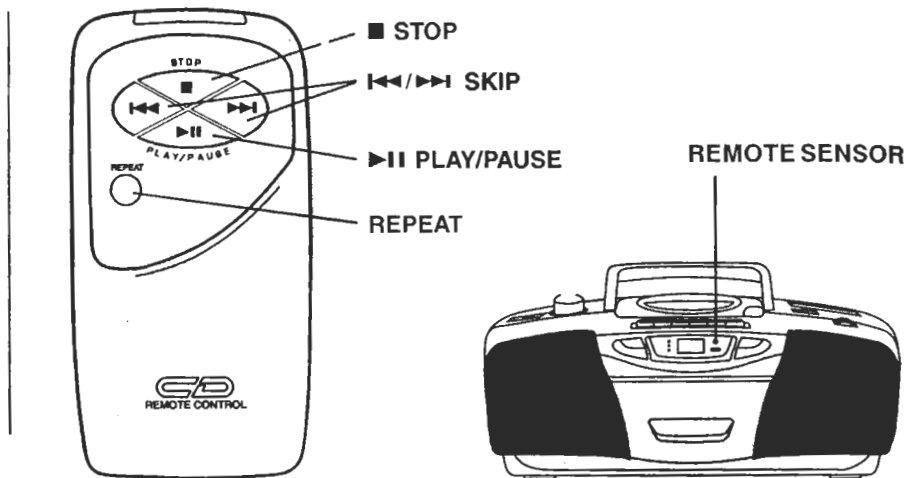
CLEANING THE TAPE HEADS

Clean the head with a cotton bud slightly moistened with cleaning fluid or denatured alcohol.

TROUBLE SHOOTING GUIDE

PROBLEMS	ITEMS TO CHECK
No power supply.	Is the power cord unplugged or loose? Are batteries installed? Are the batteries properly aligned?
The cassette cannot be inserted.	Is the cassette up-side-down?
The tape gets caught in the tape transport mechanism.	Is the pinchroller or capstan dirty? Is there excessive slack in the tape?
Tape running is unstable.	Is there excessive slack in the tape?
There is excessive noise, quivers or breaks in the sound.	Are the heads dirty?
The ● REC button cannot be pressed.	Is the cassette's erasure prevention tab broken off?
Recording cannot be done.	Are the heads dirty?
The previous recording cannot be erased.	Is the erasure head dirty?
The CD produces no sound.	Is the CD upside down? Is the CD or lens excessively dirty? Is the disc holder closed properly? Is the function selector set to CD? Is there condensation inside the unit?
The CD sound jumps.	Is the lens or CD excessively dirty? Is the unit subject to excessive vibration? Are there any bad scratches on the CD?

REMOTE CONTROL



INSTALLING BATTERIES

Install two 1.5 V, R03 (AAA or SUM-4) size batteries into the battery compartment of the Remote Controller.

BATTERY REPLACEMENT

When batteries become weak, the operating distance of the Remote Controller will be greatly reduced and the batteries will need to be replaced.

USING THE REMOTE CONTROLLER CORRECTLY

- Point the Remote Controller at the REMOTE SENSOR located to the right of the CD display window. Press the button required. The functions of the buttons are the same as those on the main unit.
- When there is a strong ambient light source, the performance of the infrared REMOTE SENSOR may be degraded, causing unreliable operation.

NOTE

- If the Remote Controller is not to be used for a long time, remove the batteries to prevent possible damage due to battery leakage.
- Do not mix different types of battery, or old batteries with new ones.

SPECIFICATIONS

CASSETTE SECTION

Track format:	4 tracks stereo
Recording system:	AC bias
Erasing system:	Magnetic erase
Tape speed:	4.75 cm/sec.
F.F. & REW time:	110 sec. (C-60 tape)
Frequency response:	40-12,000 Hz (normal/tape)

CD SECTION

Channels:	2 channels
S/N ratio:	60 dB
Wow & Flutter:	undetectable
Sampling frequency:	44.1 kHz
Quantization:	8 bits linear/ch
Pick up light source:	Semi-conductor laser
Pick up wave length:	790 nm

RADIO SECTION

Tuning ranges:	FM 88 - 108 MHz AM 530 - 1700 kHz
Antennas:	AM: Built-in ferrite bar FM: Telescopic antenna

GENERAL

Output power:	2.8W maximum (1.4 W/channel RMS)
Power consumption:	15 W
Terminal impedance:	PHONES 32 ohms
Power source:	AC 120 V ~ 60 Hz DC 12 V (8xLR20 "D" size or UM-1 batteries)
Unit dimensions:	410 x 161 x 234 mm (WxHxD) with handle 410 x 161 x 211mm (WxHxD) without handle
Unit weight (approx.):	2.9 kg (not included batteries)
Accessories:	AC power cord

Specifications subject to change without notice.