



D 1710

Quick Guide

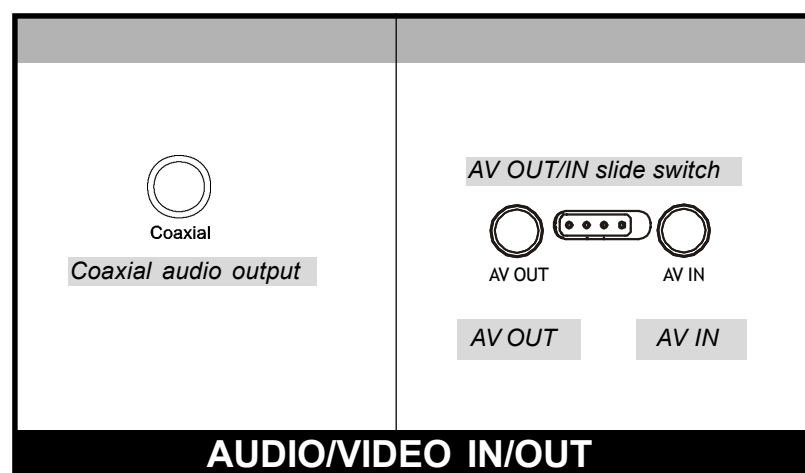
Welcome to the D1710 Quick Guide. This Guide will instruct you how to use your Portable DVD Player in a quick and easy way. Please carefully follow the instructions to set up your Portable DVD Player.

Package Contents

- 1.AC-DC Adapter
- 2.DC Car Power Adapter
- 3.AV-RCA Cable
- 4.NiMH 3800mAh Battery
- 5.Remote Control (with battery)

Getting to Know Your Portable DVD Player

SIDE PANEL



BATTERY INSTALLATION FOR THE REMOTE CONTROL

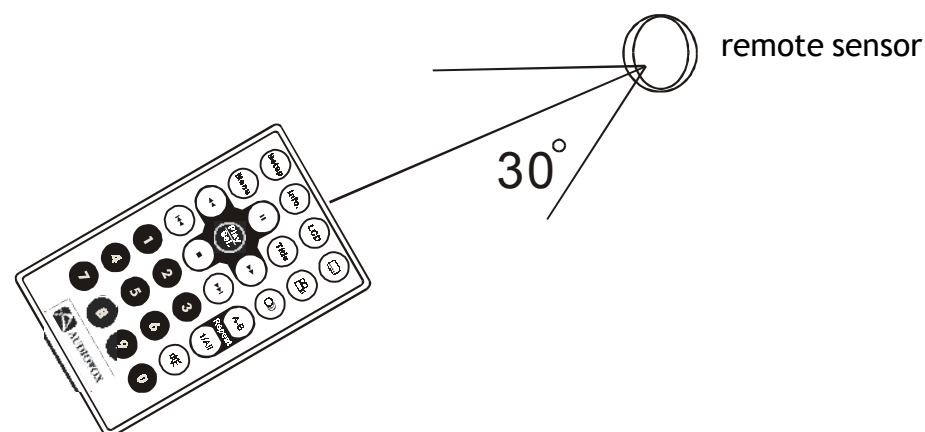
First-time use: Remove the insulating Mylon piece from the battery compartment.

Service life of battery

1. The battery normally lasts for about one year although this depends on how often and for what operations the remote control is used.
2. If the remote control unit fails to work even when it is operated near the player, replace the battery.
3. Insert the battery and match the (+) and (-) on batteries to the marks inside the battery compartment.
4. Use a 3V lithium battery.

REMOTE CONTROL OPERATION RANGE

Point the remote control unit no more than about 18 feet from the remote control sensor and within about 60° of the front of the unit.

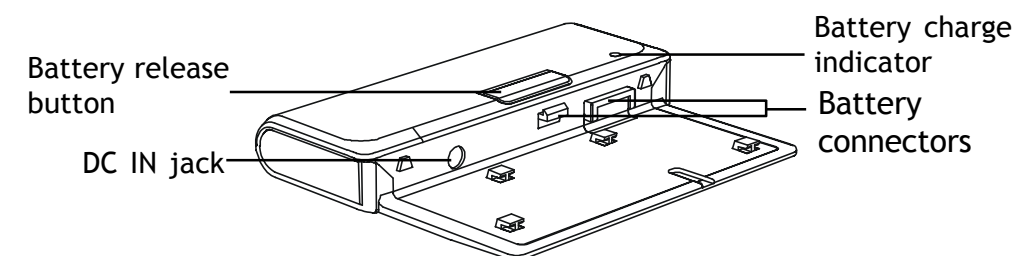


The operating distance may vary according to the brightness of the room.

Note:

1. Do not point bright lights at the remote control signal sensor.
2. Do not place objects between the remote control unit and the remote control signal sensor.
3. Do not use this remote control unit while simultaneously operating the remote control unit of any other equipment.

Using the Battery Pack



Before using the battery pack, make sure to charge it. You could choose to charge the battery pack directly or charge it while the battery pack attached to the D1710.

Battery Pack Information (Charge & Playback Time)

	Charge Time(hr)	DVD Playback Time(hr)
NiMH 3800mAh	3.5	2.5

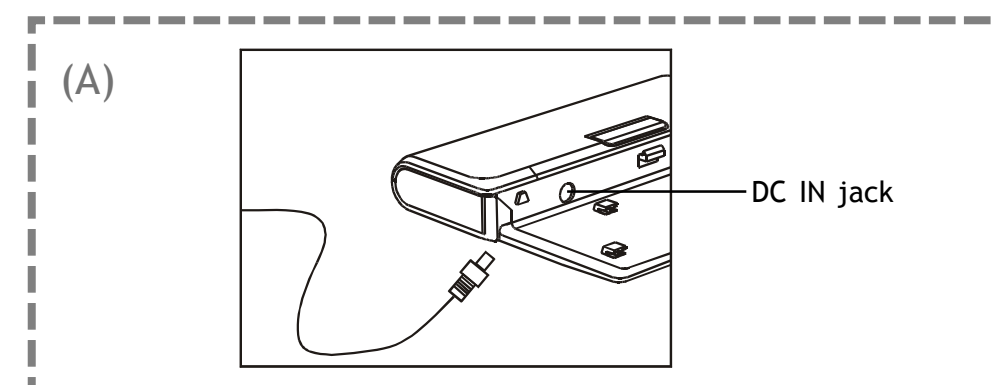
Power Adapter: 15W

A. TO CHARGE THE BATTERY PACK DIRECTLY

STEP 1. Connect the AC adapter(12V, 1.25A) to the DC IN jack on the left side of the battery pack and a household power outlet. (as figure (A) shown)

STEP 2. The battery charge indicator will turn red and start charging.

STEP 3. When the battery pack is fully charged, the battery charge indicator will turn green.



B. TO CHARGE THE BATTERY PACK WITH THE BATTERY PACK ATTACHED TO THE D1710.

STEP 1. Please align the DVD player's battery connectors with the battery pack's battery connectors. Then attach the battery pack to the D1710.(as shown figure (B))

Note:

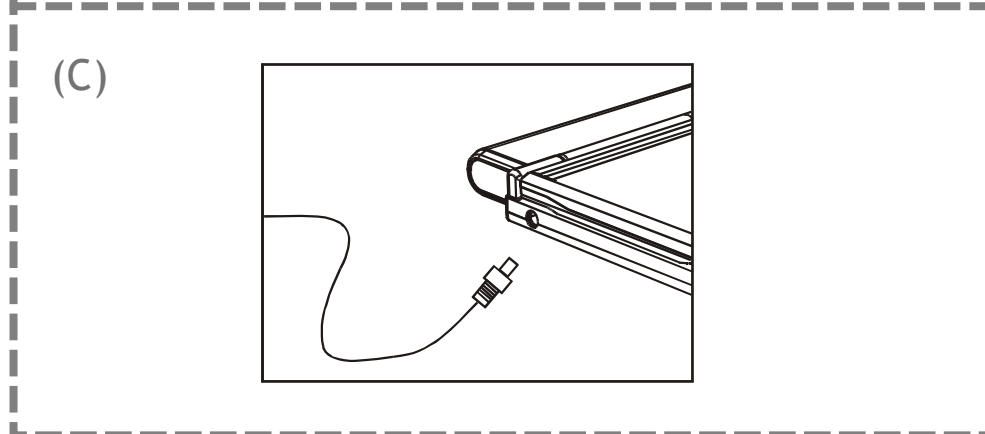
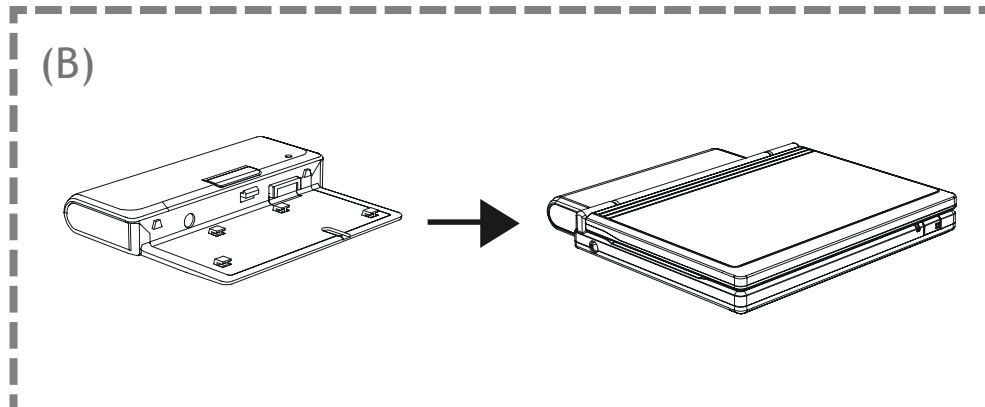
1. Please turn Power off when attaching or removing the battery pack.
2. If you want to remove the battery pack, press the battery release button, then slowly remove it.

STEP 2. Connect the AC adapter(12V, 1.25A) to the DC IN jack on the left side of the Portable DVD player and a household power outlet. (as shown figure (C))

STEP 3. Please repeat Step 2-3 mentioned in **A.TO CHARGE THE BATTERY PACK DIRECTLY.**

Note:

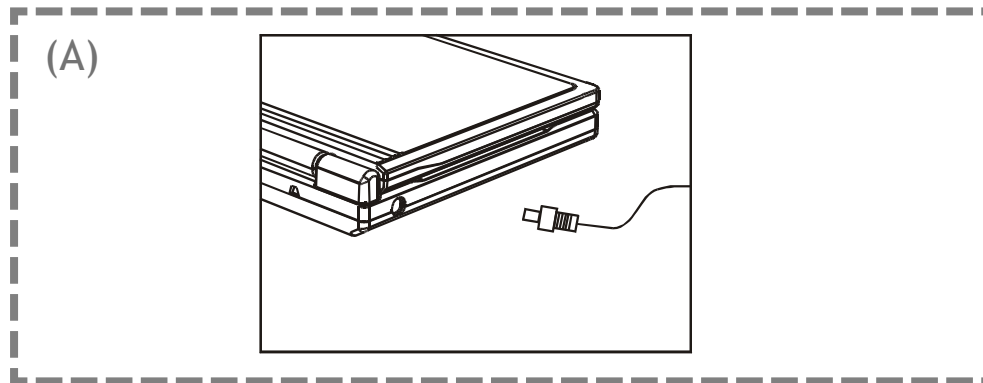
1. The battery pack is not being charged while the DVD player is turned on.
2. Please use the specific power adapter (12V, 1.25A) to charge the battery pack.



Quick Operation Guide

STEP 1. Connect it to Power (A)

Please connect the applied AC adaptor to the DC IN jack on the left side of this Portable DVD Player.

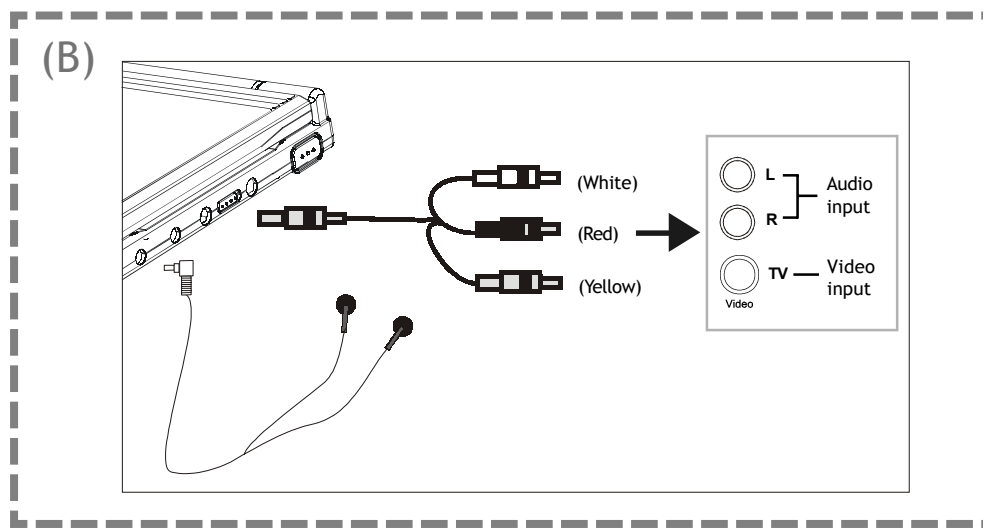


STEP 2. Connect it with headphones or connect it to other equipment. (B)

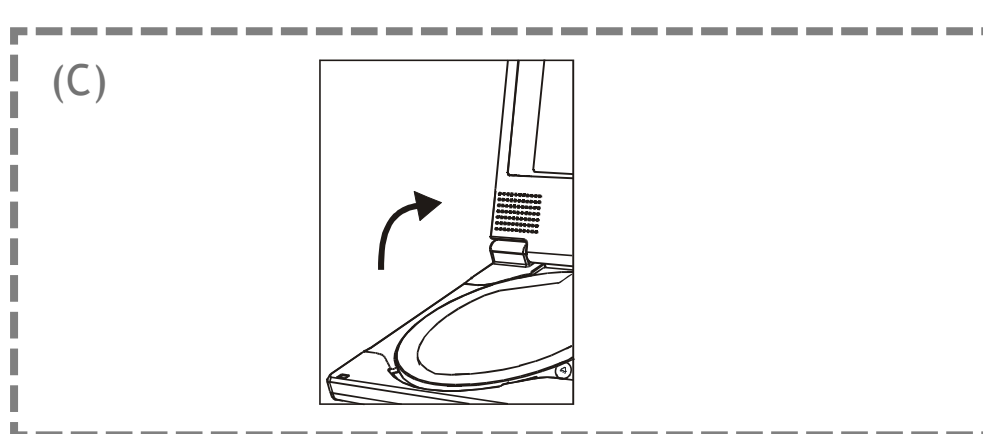
If you want to enjoy better listening and viewing quality, you can connect the D1710 to other equipment, such as a TV or an amplifier.

Note:

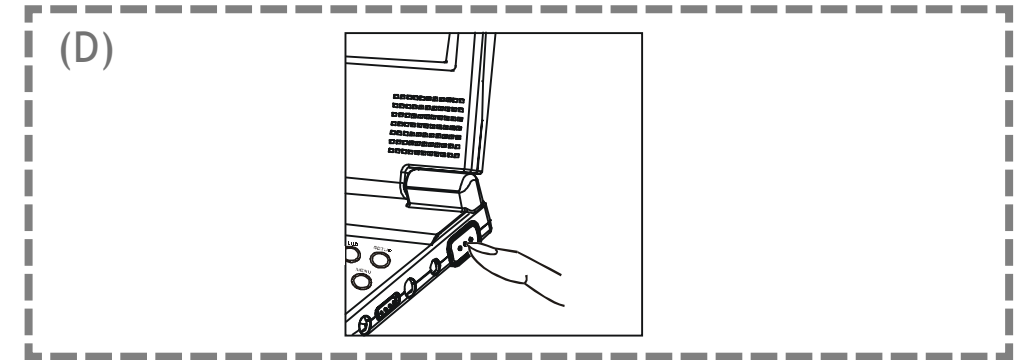
1. Before connecting, make sure to turn off the power of the Portable DVD Player and other equipment.
2. Make sure to slide AV OUT/IN switch to AV OUT.



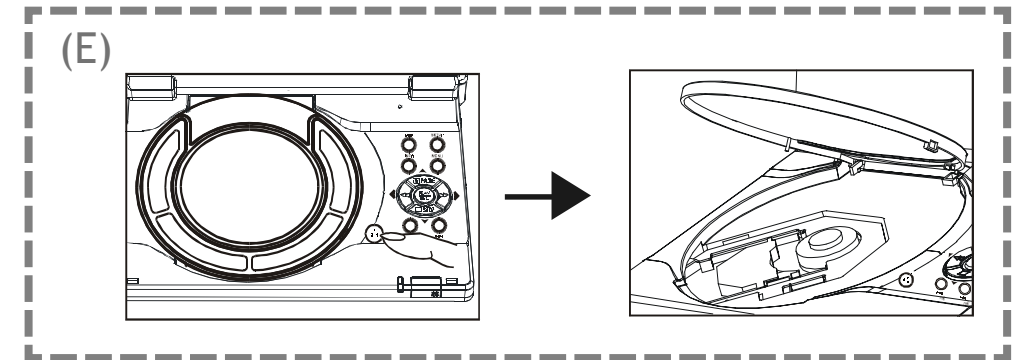
STEP 3. Open the display panel. (C)



STEP 4. Press POWER to turn on the DVD Player. (D)



STEP 5. Press OPEN to open the disc cover. (E)



STEP 6. Gently hold the edge of the disc, then put it in the center with the printed side up.

Note: Make sure the printed side of the disc is facing up.

STEP 7. Close the disc cover.

STEP 8. Press PLAY/SEL. to play the disc.

INPUT FROM OTHER EQUIPMENT

You can input images and sound from other equipment by connecting this Portable DVD player to other equipment with the AV-RCA cable.(F)

Note: Make sure to slide AV OUT/IN switch to AV IN.

