

DTOC

Owner's Manual



DTOC
Digital Flat Outdoor
Amplified Antenna

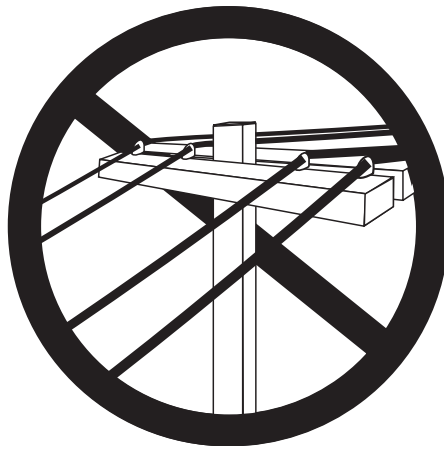
TERK

Safety Precautions

DTOC

Warning!

Use extreme caution when installing or removing an outdoor antenna that is located close to overhead wires such as power lines, telephone lines or cable TV lines. If any part of the antenna makes contact with overhead power lines, touching the antenna or the antenna cable can cause electrocution and death. If the antenna is in contact with any type of overhead wires, call your power company and ask them to send a qualified technician to remove the antenna. Do not attempt to remove it yourself!



Important Safety Precautions...

Many do-it-yourself and professional antenna installers are injured or killed each year by electric shock. While anyone can see the obvious danger of falling, the most resourceful sometimes fail to recognize overhead wires as being potentially lethal. To touch any part of the antenna to these overhead wires is the same as touching the wires with your bare hand. A very serious shock is almost sure to result when contacting an electrical wire, and in the case of primary wires on the top of poles, the shock is like being struck by a bolt of lightning. Many power wires are within 20 to 25 feet of the ground and could easily be touched by an assembled antenna.

Please read and follow these important safety precautions:

- Be sure to select an antenna site well away from all overhead wires.
- Do not try to guess which overhead wires carry high voltage. Check with the Power Company.
- If you notice anything making contact with the overhead wires, call the Power Company to have it removed safely. Do not run the downlead cable over power wires.
- Get help from a qualified professional when removing the old antenna if there is any doubt of clearing overhead wires.
- Never install the antenna outdoors at night, when it is windy, or during rain or snow.
- Make sure the antenna installation is secure.
- Do not stand on, lean on, hang from or hang anything on the antenna once it is mounted.

Lightning Protection and Grounding

Always plug your TV and other electronics devices into a quality surge protector for maximum protection against lightning and power surges.

- Do not run the downlead cable over power wires.
- Make sure the antenna downlead is connected to suitable lightning arrestors.

All outdoor antenna installations should be properly grounded. To effectively protect the installation, the coaxial cable(s) should be grounded before they enter the house. The grounding of the coaxial cable is made using a “ground block” and copper wire (not supplied). For information and the materials needed to ground your antenna installation, visit your local electronics store.

About Your New TERK DTC Antenna

DTC

Your TERK DTC antenna is engineered specifically to provide superior reception of high-definition (HDTV) and digital television channels. The DTC's patented multi-directional reception technology provides outstanding reception from any direction, producing the clearest, cleanest signals available from a compact, unobtrusive design that blends well with any home decor.

The DTC's weatherproof, hermetically sealed housing offers ultra-reliable performance year after year. The DTC comes with all necessary mounting hardware for flexible placement indoors or outdoors.

Your DTC Antenna Includes:

- (1) DTC Antenna
- (1) Amplifier Insert
- (1) Power Adapter
- (1) Mounting Base (1) Mounting Arm
- (1) 100ft Coaxial Cable
- Mounting Hardware:
 - (2) Screws (4) Screw Covers
 - (2) Lock Washers (2) Hex Nuts
 - (2) U-Bolts (2) Clamps
 - (4) Wing Nuts
 - (4) Wood Screws
 - (1) Rubber Boot for Antenna Connector/Coaxial Cable

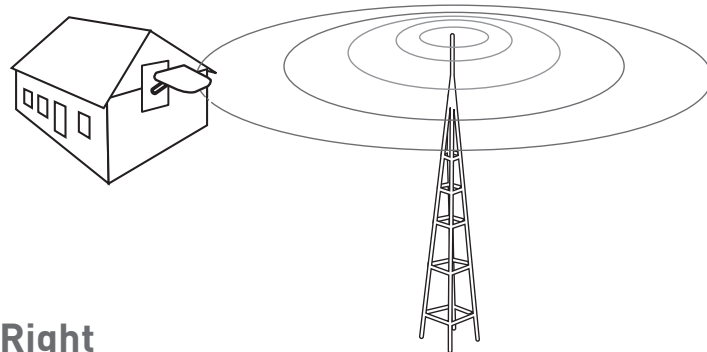
3

Before You Start

DTOC

Before you mount the DTOC, consider the following factors in reception performance:

- The DTOC usually performs best when mounted horizontally
- The DTOC should be mounted on the side of your house that faces most of your local broadcast towers (See illustration below) Visit www.antennaweb.org to see the locations of your local broadcast towers.
- The higher the elevation of the antenna, the better the reception performance will be.



Right

On the side of the house facing the broadcast tower

Wrong

Not on the side of the house facing the broadcast tower



Mounting the DTOC Antenna

DTOC

The DTOC mounting bracket gives you the flexibility in mounting the antenna. The DTOC can be mounted:

- To a surface, such as a rooftop, eaves, siding, or rafters in an attic

OR

- To a standard mast (not included)

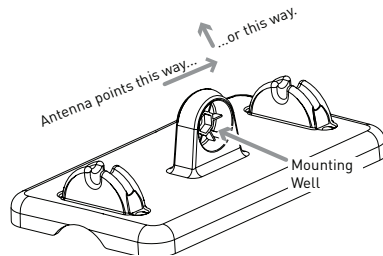
WARNING: Never hang anything from the DTOC; never attach foreign objects to the DTOC.

NOTES:

- Do not install the DTOC on any metal surface, including aluminum siding. Mounting on a metal surface will seriously degrade reception quality.
- In most cases, the DTOC provides the best performance when mounted outdoors in a high location (such as on the roof or high up on the side of your house). The DTOC can also be mounted in an attic.

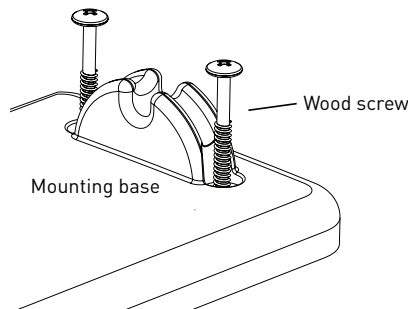
5

Mounting the DTC to a surface



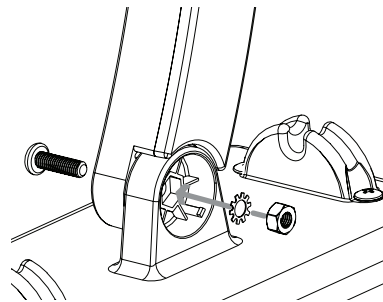
1. Orient the antenna base.

Note: For best performance, mount this antenna horizontally. Make sure the base is oriented correctly for the direction you want to point the antenna. Use the illustration on the left as a guide.



2. Mount the base to the surface.

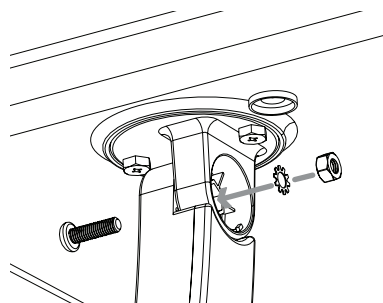
Find the four wood screws included in this package. Using these screws, attach the base to the surface as shown here.



3. Attach the arm to the base.

Find one of the screws, washers, and nuts included in the package.

First, set the washer and nut in the mounting well. Then position the arm over the other side of the well. Attach the arm to the base as shown here.

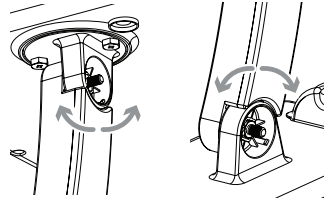


4. Attach the antenna to the arm.

Find the other screw, washer, and nut.

First, set the washer and nut in the antenna's mounting well. Then position the arm over the other side of the well. Attach the arm to the antenna as shown here.

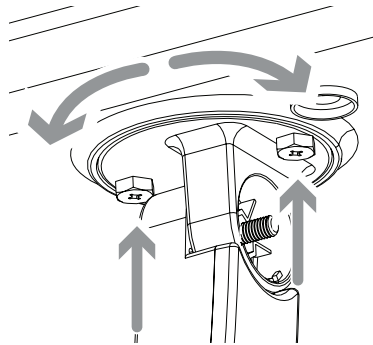
**Mounting the DTOC to a surface
(continued)**



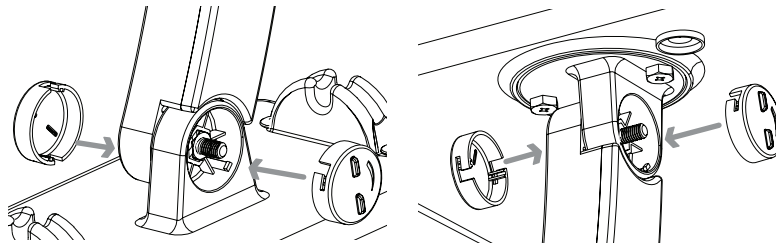
5. Position and orient the antenna.

Loosen the screws between the arm and the base or antenna just enough so that you can position and orient the antenna the way you want.

You can also adjust the antenna's orientation on the antenna itself. On the antenna's underside, next to the arm, there are two screws. Loosen these just enough so that you can rotate the antenna on the arm. Once you've found the orientation you want, tighten these screws.

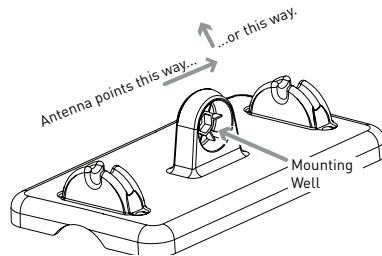


6. Tighten all screws. Attach the screw covers.



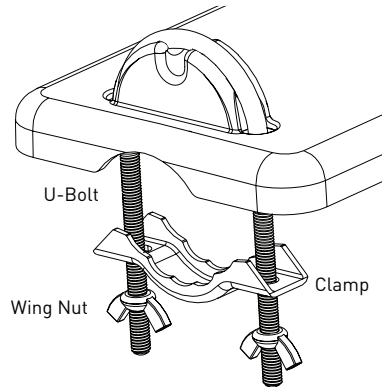
7. Skip to the "Connecting the DTOC to a TV" section to complete installation.

Mounting the DTOC to a standard mast



1. Orient the antenna base.

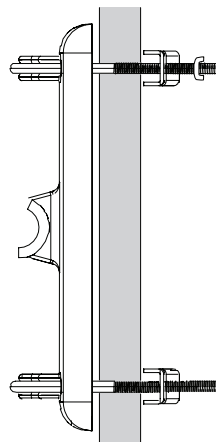
Make sure the base is oriented correctly for the direction you want to point the antenna. Use the illustration on the left as a guide.



2. Attach the clamp assemblies to the base.

Find the two U-Bolts, the four wing nuts, and the two clamps included in this package.

Insert each U-Bolt into the base as shown here. Then position a clamp and two wing nuts on the end of each of U-Bolt as shown here.



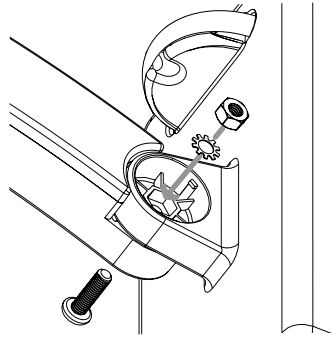
3. Mount the base to the mast (not included).

Slide the antenna clamp assembly over the mast as shown here, positioning the mast between the clamp and the antenna.

Position the DTOC antenna as high as possible on the mast. Orient the base in the direction you want. Then tighten the clamps and wing nuts securely onto the mast.

continues on next page...

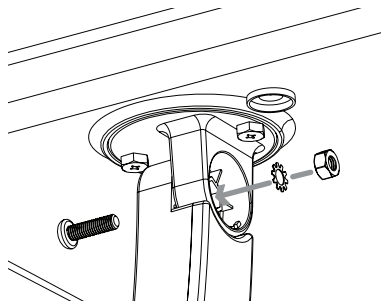
Mounting the DTOC to a standard mast (continued)



4. Attach the arm to the base.

Find one of the screws, washers, and nuts included in the package.

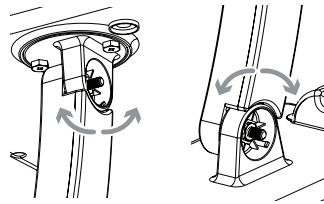
First, set the washer and nut in the mounting well. Then position the arm over the other side of the well. Attach the arm to the base as shown here.



5. Attach the antenna to the arm.

Find the other screw, washer, and nut.

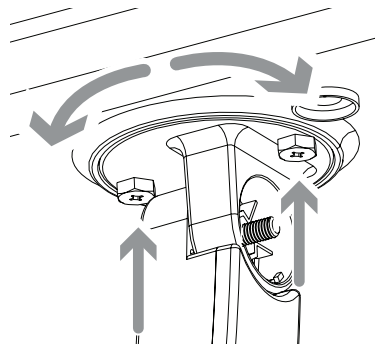
First, set the washer and nut in the antenna's mounting well. Then position the arm over the other side of the well. Attach the arm to the antenna as shown here.



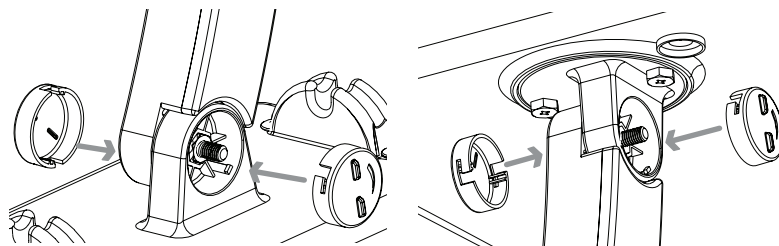
6. Position and orient the antenna.

Loosen the screws between the arm and the base or antenna just enough so that you can position and orient the antenna the way you want.

You can also adjust the antenna's orientation on the antenna itself. On the antenna's underside, next to the arm, there are two screws. Loosen these just enough so that you can rotate the antenna on the arm. Once you've found the orientation you want, tighten these screws.



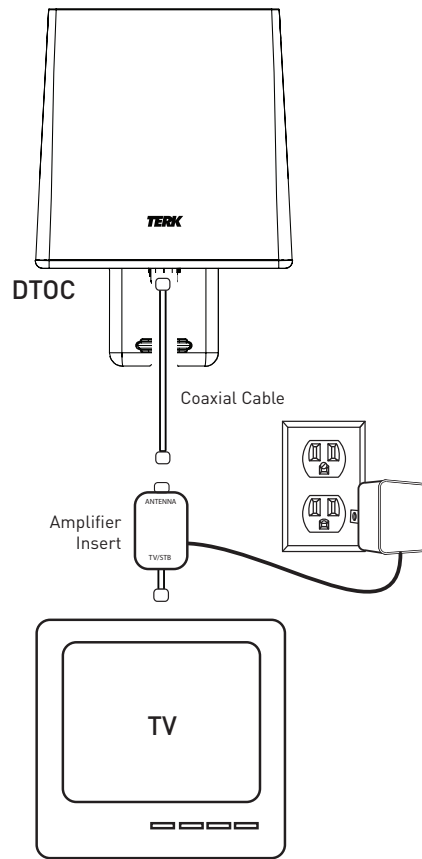
6. Tighten all screws. Attach the screw covers.



7. Skip to the "Connecting the DTOC to a TV" section to complete installation.

Connecting the DTOC to a TV

DTOC



The amplifier insert connects directly to the back of your TV via the built-in cable connector.

1. Run the provided coaxial cable from the antenna towards your television set. Connect the coaxial cable to the ANT jack on the supplied amplifier insert.
2. Connect the built-in coaxial cable on the amplifier insert to the antenna input jack on your TV or converter box.

Note: If you want to split the signal coming from the antenna, connect the short coaxial cable built into the amplifier insert to your splitter (splitter sold separately). DO NOT PUT THE SIGNAL SPLITTER BETWEEN THE AMPLIFIER INSERT AND THE ANTENNA.

3. After all other connections are made, connect the power adapter into the amplifier insert. Plug it into a standard AC outlet.

Important: This power adapter should be plugged in so that it stays vertical or lays flat.

The amplifier insert should always be located indoors.

4. Turn on your TV and scan for channels.

Important: Channel line-ups change from time to time. For best performance, do a channel scan periodically to check for updates.

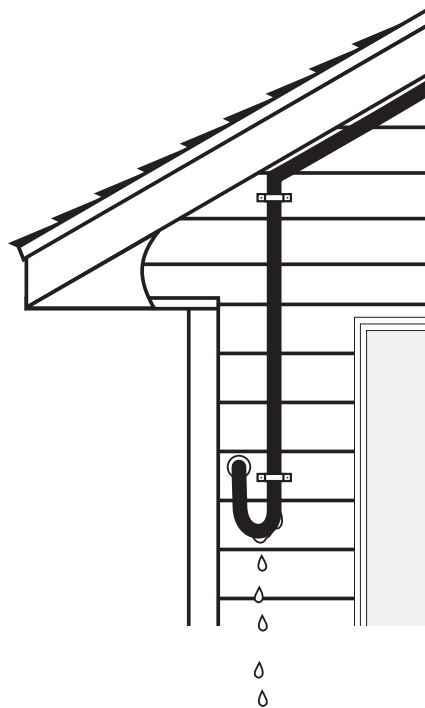
Avoiding Water Damage

DTOC

Water Damage Prevention:

At the point where your coaxial cable lead enters the house, you should allow for some slack in the coaxial cable as a “drip loop.” This will prevent moisture from running down the coaxial cable and entering the house.

Run the coaxial cable approximately six inches below the wall entry point and then turn it upwards towards this spot (see Fig 8). Any moisture that accumulates on the coaxial cable will drip off in the bend instead of running into the house. You should seal the point where the cable enters your home with a rubber weather insulator or silicone caulking (not included). An “F” connector wall plate can be used inside the home to cover the inside portion of the hole. You can typically find an “F” connector wall plate at any local electronics or hardware store.



Troubleshooting

DTOC

- Q. I am not getting any channels above channel 13.
- A. Most TV's today are cable ready. When a cable ready TV is in the CABLE or CATV mode and you try to use an antenna with it, you will not receive any channels above 13. Access the TV's set-up menu and switch it from CABLE or CATV mode to ANTENNA or AIR mode.
- Q. I am not receiving channels clearly.
- A. Plug in the amplifier; then unplug it. Determine which position is best suited to receive your channels. NOTE: Some channels may come in clearer without the amplifier insert.
- Q. I am not receiving all channels.
- A. Reposition the DTOC to a different location, such as the other side of the house or to a higher location. Obstructions such as other houses or buildings, large trees, mountains and water towers can cause poor reception. As a general rule, the higher the antenna is mounted the better your reception will be.
- Q. I am seeing ghosts or double images in the picture.
- A. Ghosting is caused by multi-path. This happens when the antenna signal reflects off of a tall obstruction and hits your antenna multiple times. Each reflection causes a ghost. To solve this problem, try repositioning the DTOC to a location where the reflections are prevented from hitting it, such as the other side of the house or to a higher location.

Need more help?

Call 1-800-768-1969 for Technical Support Monday through Friday 9:00AM to 5:00PM EST, or contact us at www.terk.com.

If your TV has a connection not mentioned in this manual, contact Terk for the appropriate adapter.

12 Month Limited Warranty

DTOC

Audiovox Accessories Corporation (the "Company") warrants to the original retail purchaser of this product that should this product or any part thereof, under normal use and conditions, be proven defective in material or workmanship within 12 months from the date of original purchase, such defect(s) will be repaired or replaced (at the Company's option) without charge for parts and repair labor. To obtain repair or replacement within the terms of this Warranty, the product along with any accessories included in the original packaging is to be delivered with proof of warranty coverage (e.g. dated bill of sale), specification of defects(s), transportation prepaid, to the Company at the address shown below. Do not return this product to the Retailer.

This Warranty is not transferable and does not cover product purchased, service or used outside the United States or Canada. The Warranty does not extend to the elimination of externally generated static or noise. This Warranty does not apply to costs incurred for installation, removal or reinstallation of the product, or, if in the Company's opinion, the product has been damaged through acts of nature, alteration, improper installation, mishandling, misuse, neglect, or accident. This Warranty does not cover damage caused by an AC adapter not provided with the product.

THE EXTENT OF THE COMPANY'S LIABILITY UNDER THIS WARRANTY IS LIMITED TO THE REPAIR OR REPLACEMENT PROVIDED ABOVE AND, IN NO EVENT, SHALL THE COMPANY'S LIABILITY EXCEED THE PURCHASE PRICE PAID BY PURCHASER FOR THE PRODUCT. This Warranty is in lieu of all other express warranties or liabilities. ANY IMPLIED WARRANTIES, INCLUDING ANY IMPLIED WARRANTY OF MERCHANTABILITY OR FITNESS FOR A PARTICULAR PURPOSE, SHALL BE LIMITED TO DURATION OF THIS WARRANTY. ANY ACTION FOR BREACH OF ANY WARRANTY HEREUNDER, INCLUDING ANY IMPLIED WARRANTY, MUST BE BROUGHT WITHIN A PERIOD OF 24 MONTHS FROM THE DATE OF ORIGINAL PURCHASE. IN NO CASE SHALL THE COMPANY BE LIABLE FOR ANY CONSEQUENTIAL OR INCIDENTAL DAMAGES WHATSOEVER. No person or representative is authorized to assume for the Company any liability other than expressed herein in connection with the sale of this product.

Some states/provinces do not allow limitations on how long an implied warranty lasts or the exclusion or limitation of incidental or consequential damage so the above limitations or exclusions may not apply to you. This Warranty gives you specific legal rights and you may also have other rights which vary from state/province to state/ province.

U.S.A.: Audiovox Return Center, 150 Marcus Blvd., Hauppauge, NY 11788

CANADA: Audiovox Return Center, c/o Genco, 6685 Kennedy Road, Unit 3, Door 16, Mississauga, Ontario L5T 3A5

**For customer service and
technical information:: 1-800-768-1969**

DTOC IB US 00