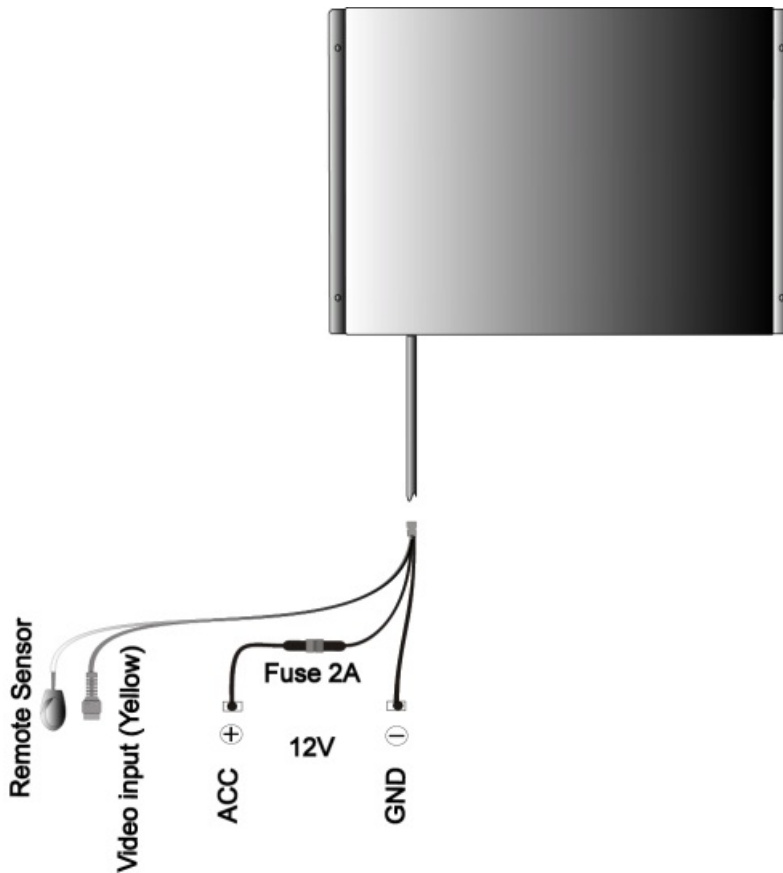




**Model Number MM104R
10.4" Color LCD Monitor
Operation Manual**



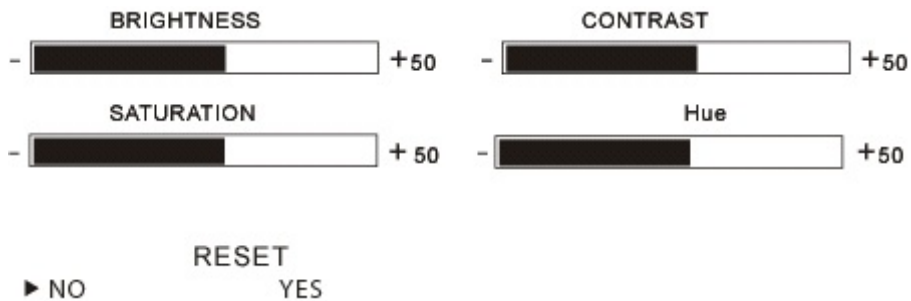
Wiring Diagram

FEATURES:

- High Resolution 10.4" Active Matrix 4:3 Display
- Resolution: 640 x 480
- Source of Signal: VIDEO
- Power Supply: DC12V
- Power Consumption: 12W
- System: NTSC/PAL
- Dimensions: 11.1 x 7.4 x .98inch (284 x 190 x25mm)

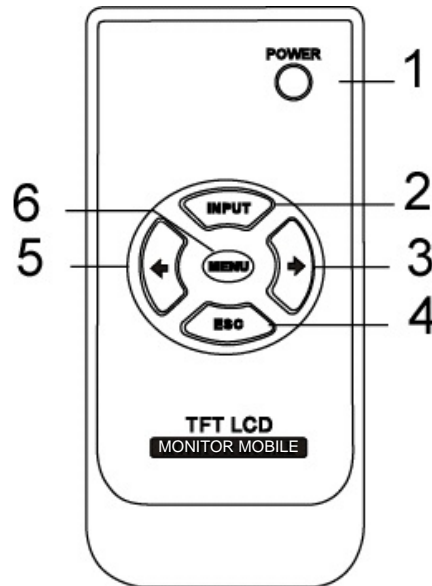
On Screen Display (OSD) Functions:

Press the MENU button on the Remote Control. Brightness, Saturation, Contrast, Hue and Reset will appear.



Using the remote control press the arrow button on the right to increase the adjustment or the arrow button on the left to decrease the adjustment. The brightness, contrast, saturation and hue can be adjusted from -50 to +50. To access each of the adjustments, press the MENU button. Once the desired adjustment is reached use the right or left arrow buttons. If RESET is selected, pressing the right arrow button will reset the monitor to factory settings.

Remote Control



1. POWER On/Off Button: Turns the monitor on or off.

NOTE: There is a short delay after pressing the power button until video appears on the screen.

2. Input Video Switch Button : Selects the video source AV1*.

3. Right Arrow Button: This button is used to increase the video adjustment parameters.

4. ESC Button: Used to turn off the OSD.

5. Left Arrow Button: This button is used to decrease the video adjustment parameters.

6. MENU Button: This button is used to display the OSD and access the video adjustments.

*AV2 is not used on this model



12 MONTH LIMITED WARRANTY

Applies to Movies To Go Mobile Video Products

AUDIOVOX ELECTRONICS CORP. (the Company) warrants to the original retail purchaser of this product that should this product or any part thereof, under normal use and conditions, be proven defective in material or workmanship within 12 months from the date of original purchase, such defect(s) will be repaired or replaced with reconditioned product (at the Company's option) without charge for parts and repair labor. A game controller, if supplied, is similarly warranted for ninety (90) days.

To obtain repair or replacement within the terms of this Warranty, the product is to be delivered with proof of warranty coverage (e.g. dated bill of sale), specification of defect(s), transportation prepaid, to the Company at the address shown below.

This Warranty does not extend to the elimination of externally generated static or noise, to correction of antenna problems, to costs incurred for installation, removal or reinstallation of the product, or to damage to digital memory/media devices, gaming devices, discs, speakers, accessories, or vehicle electrical systems.

This Warranty does not apply to any product or part thereof which, in the opinion of the Company, has suffered or been damaged through alteration, improper installation, mishandling, misuse, neglect, accident, or by removal or defacement of the factory serial number/bar code label(s). THE EXTENT OF THE COMPANY'S LIABILITY UNDER THIS WARRANTY IS LIMITED TO THE REPAIR OR REPLACEMENT PROVIDED ABOVE AND, IN NO EVENT, SHALL THE COMPANY'S LIABILITY EXCEED THE PURCHASE PRICE PAID BY PURCHASER FOR THE PRODUCT.

This Warranty is in lieu of all other express warranties or liabilities. ANY IMPLIED WARRANTIES, INCLUDING ANY IMPLIED WARRANTY OF MERCHANTABILITY, SHALL BE LIMITED TO THE DURATION OF THIS WRITTEN WARRANTY. ANY ACTION FOR BREACH OF ANY WARRANTY HEREUNDER INCLUDING ANY IMPLIED WARRANTY OF MERCHANTABILITY MUST BE BROUGHT WITHIN A PERIOD OF 24 MONTHS FROM DATE OF ORIGINAL PURCHASE. IN NO CASE SHALL THE COMPANY BE LIABLE FOR ANY CONSEQUENTIAL OR INCIDENTAL DAMAGES FOR BREACH OF THIS OR ANY OTHER WARRANTY, EXPRESS OR IMPLIED, WHATSOEVER. No person or representative is authorized to assume for the Company any liability other than expressed herein in connection with the sale of this product.

Some states do not allow limitations on how long an implied warranty lasts or the exclusion or limitation of incidental or consequential damage so the above limitations or exclusions may not apply to you. This Warranty gives you specific legal rights and you may also have other rights which vary from state to state.

U.S.A. : AUDIOVOX ELECTRONICS CORPORATION 150 MARCUS BLVD., HAUPPAUGE, NEW YORK 11788 1-800-645-4994

CANADA : CALL 1-800-645-4994 FOR LOCATION OF WARRANTY STATION SERVING YOUR AREA

© 2007 Audiovox Electronics Corporation

128-6429F

© Copyright 2007 AEC, 150 Marcus Blvd. Hauppauge, NY 11788 128-7976



□ Copyright 2007 AEC, 150 Marcus Blvd. Hauppauge, NY 11788 128-7976