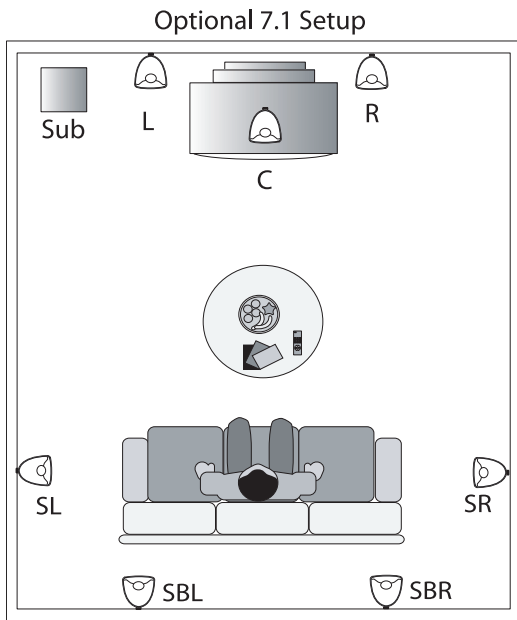


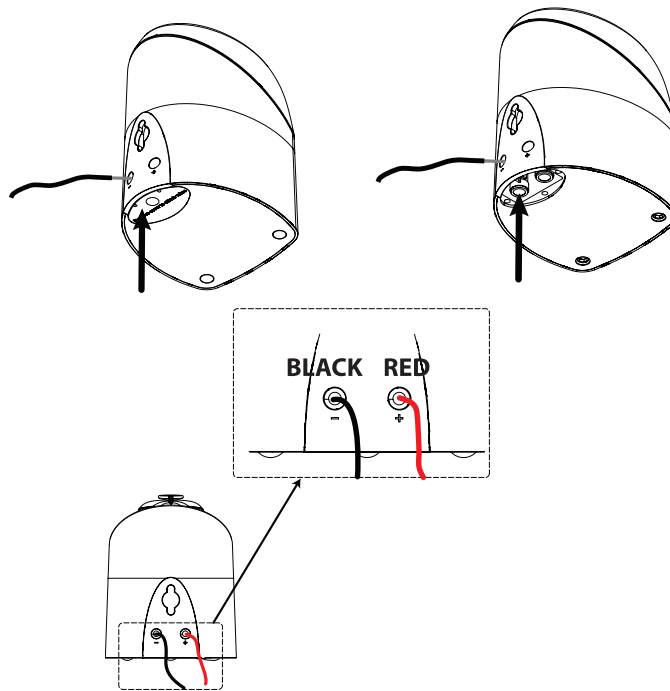
# MX Speaker owners manual

## 4. Recommended HT set-up



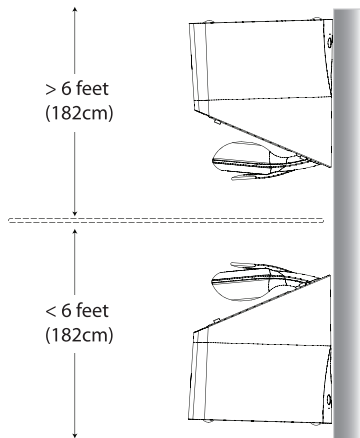
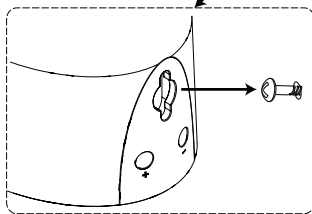
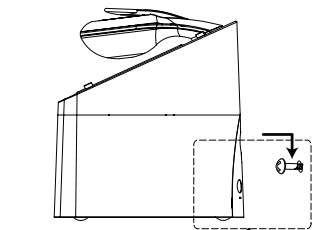
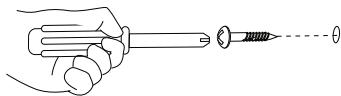
# MX Speaker owners manual

## 1. Connections



# MX Speaker owners manual

## 2. Mounting



# MX Speaker owners manual

## 3. Optional Stand Mount (example Sanus HTB-7 Black)

