



o w n e r s m a n u a l

**OASIS OMNI 5
OMNI 6**

Omnipolar Outdoor/Indoor Speaker System

Mirage[®]

PRINTED IN CHINA
7AI/OASOM56

IMPORTANT SAFETY INSTRUCTIONS - READ CAREFULLY!

Read Instructions: All safety and operating instructions should be read before the product is operated.

Retain instructions: Safety and operating instructions should be retained for future reference.

Heed Warnings: All warnings on the product and operation instructions should be adhered to.

Follow Instructions: All operating and use instructions should be followed.

Cleaning: Unplug the product from the wall before cleaning. Do not use aerosol or liquid cleaners, just a damp cloth.

DO NOT SUBMERGE THE SPEAKERS UNDERWATER –
PERMANENT DAMAGE WILL RESULT

Damage Requiring Service: The product should be serviced by qualified personnel when:

- A. The appliance does not appear to operate normally or exhibits a marked change in performance; or
- B. The product has been dropped, or the enclosure damaged.
- C. If the product does not operate normally by following the operating instructions.

INTRODUCTION

Congratulations on your purchase of MIRAGE® OASIS OMNI speaker, the world's first OMNIPOLAR™ outdoor speaker. Proprietary technology and high quality manufacturing will allow you to enjoy the most natural and accurate music reproduction for many years. The design philosophy of the OASIS OMNI series was to overcome one of the major problems with traditional outdoor speakers – developing a weather resistant speaker that can reproduce true bass. Traditional outdoor speakers usually feature either sealed or ported enclosures. In sealed enclosures, the available air volume is not sufficient to reproduce real bass. Ported enclosure designs, on the other hand, allow moisture to easily get into the enclosure which can damage the speaker and significantly reduce its life expectancy. Mirage's OASIS OMNI series features a patented passive radiator, which is molded in one piece to the enclosure. The result is the first outdoor speaker that can truly reproduce low frequencies in an absolutely weather resistant enclosure.

The advice offered in this manual is aimed at helping you maximize and maintain peak performance. Please take the time to read all of the instructions contained in this manual to make certain your system is properly installed and functioning correctly.

BREAK-IN PERIOD

We strongly advise that you resist the temptation to play MIRAGE® speakers to their full capabilities until they have been properly broken in. This process should last approximately 50 to 100 hours of music playback. This can be easily be done by putting your compact disc player on Repeat mode, while playing a CD with a wide dynamic range at average room volume listening levels.

AMPLIFIER REQUIREMENTS

All MIRAGE® speakers are designed to be extremely efficient. The OASIS OMNI is designed to be 8 ohm compatible allowing playback on almost any amplifier or receiver on the market. Most amplifiers with a power rating of 20-100 watts per channel will effectively operate the MIRAGE® OASIS OMNI speakers.

Warning: If an amplifier or receiver is over-driven, the resulting distortion is actually many times greater than its rated power. Over-driven amplifier distortion is called “Clipping”, easily identified by its fuzzy, distorted sound, and can damage any speaker. The volume control of most amplifiers and receivers is a logarithmic type, which means that full power may be reached with the volume control set at as little as the halfway point. Operating the loudness, treble, or bass controls increases power output well beyond rated levels. The warranty on your speakers is therefore void if the voice coils are burned or damaged as a result of overpowering or clipping.

CABINET CARE

Great care and craftsmanship have gone into the construction and finish of the cabinet. Periodically use a soft, dry cloth to remove dust or fingerprints. Do not use paper towel or other abrasive materials as they may damage the finish.

SPEAKER CONNECTIONS

Caution: * Turn off all power in your audio/video system before proceeding with your installation. Not doing so could result in potential damage to the system.

CONNECTING THE SPEAKERS

Located at the rear of your MIRAGE® OASIS OMNI speakers are red and black connectors. Using standard speaker wire, connect the speakers one at a time, and start your process at the receiver: Connect the speaker wire from the positive (RED +) terminal on the receiver to the positive (RED+) terminal on the speaker. Connect the negative (BLACK-) terminal on the receiver to the negative (BLACK-) terminal on the speaker. To connect the wire to the speaker, completely push the appropriate terminal in, and insert the wire through the hole that appears on the stem of the gold plated terminal. Release the terminal and the internal springs will hold the wire in place. Repeat for the other terminal.

Do this one speaker at a time until your speakers are connected properly. Be careful to correctly match positive and negative terminals, as well as the correct speaker to the correct channel.

NOTE: If you inadvertently reverse one of the connections (i.e. red to black), you will notice a severe lack of bass from your system. This is called wiring the system “Out of Phase”. If this occurs, check the wiring and re-connect as necessary.

MOUNTING THE SPEAKERS

It is important to find a secure mounting location that, if possible, is not in direct exposure to the elements, such as rain, high winds, or sunlight. The speakers are weather resistant but optimally, a location should be chosen to protect the speaker. Please use the following instructions and the illustration at the end of this manual as a guideline on how to mount your new speakers:

1. Choose a secure location in order to mount the speaker; it is advisable to mount the bracket to a solid wall surface, wall stud, or brick. Mounting to aluminum siding, or eaves troughs, for example, will not provide adequate strength to safely hold the speaker.
2. Before you install the bracket, you need to determine if the speaker will be mounted in an upright, vertical or horizontal position. For best performance, Mirage recommends positioning the speaker with the grille facing downward at a height of approximately 6 feet (180cm) (Diagram 1).
3. It is important to note that the adjustment pin on the mounting bracket should always face the same direction as the speaker. For example, when the grille is facing downwards, the adjustment pin on the bracket should also face downwards. Only with this configuration can a secure fit between the speaker and the bracket be achieved. (Diagram 2)
4. Use a pen to mark the mounting position of the bracket. (Diagram 3)
5. Mount the speaker bracket to the chosen location by using the appropriate hardware to securely hold the weight of the speaker (screws are not included in this package) (Diagram 4)
6. Hang the speaker onto the mounting bracket and hand tighten the adjustment pin counterclockwise. This way the hook of the bracket will slide into the groove of the speaker securely holding it in place. (Diagram 5)

Mirage's unique mounting bracket will allow you to easily install the speakers. If you are not confident about the mounting procedures, please contact your authorized MIRAGE retailer for assistance.

For additional information and mounting instructions on the amazing OASIS OMNI series, please refer to the last two pages of this manual.

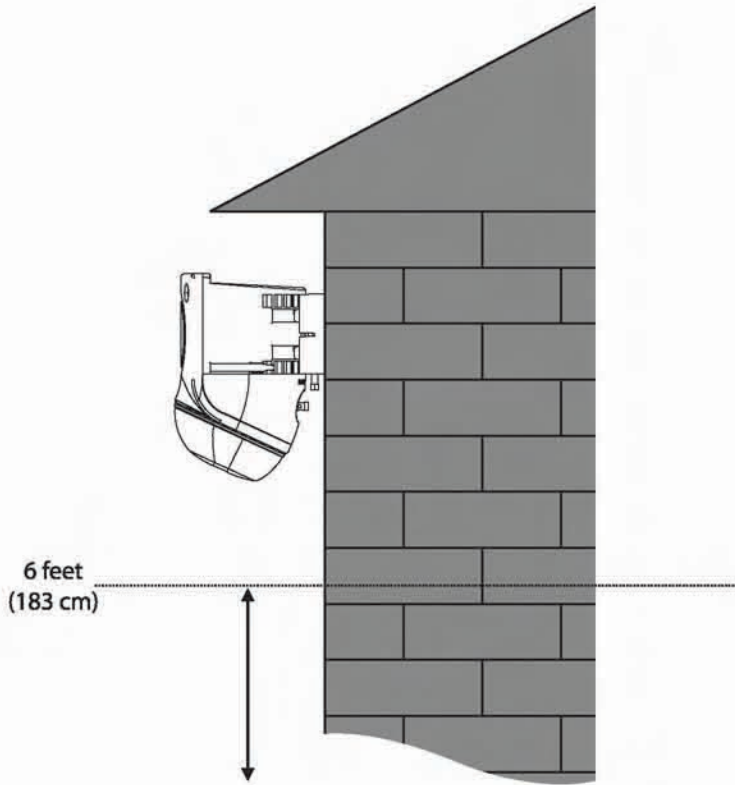


Diagram 2

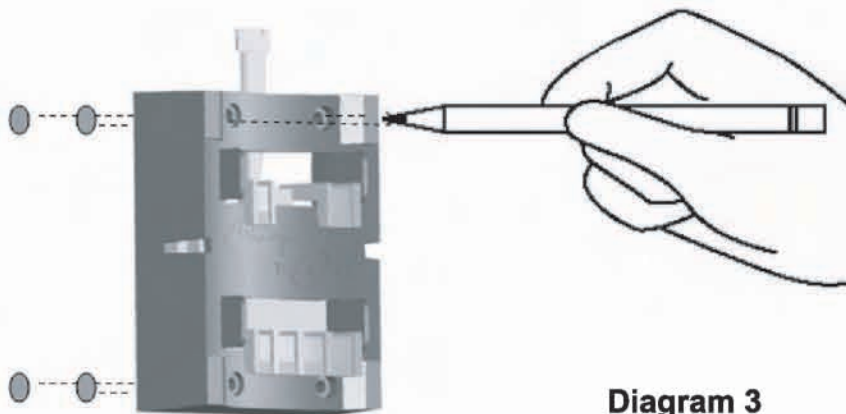


Diagram 3

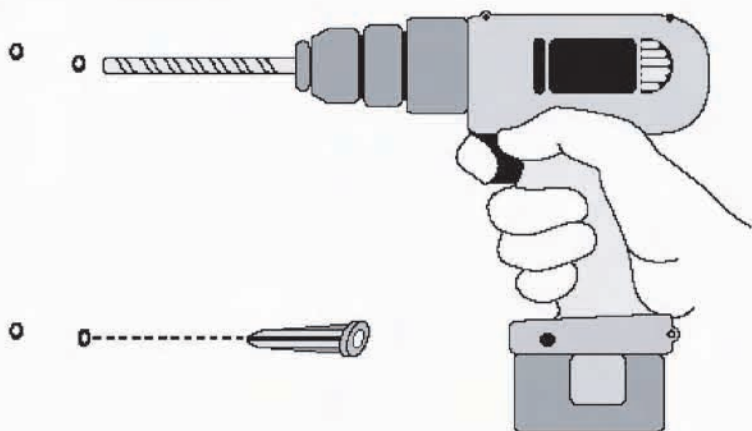


Diagram 4

Diagram 5

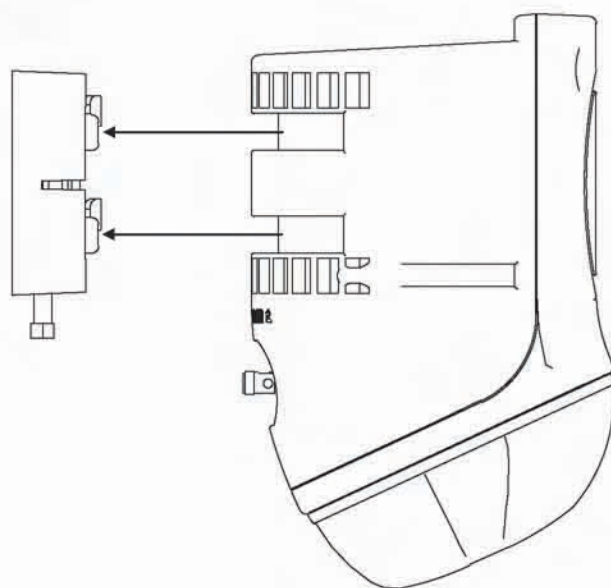


Diagram 6

WARRANTY

Limited Warranty Policy in the United States and Canada

MIRAGE® warrants this product to the retail purchaser against any failure resulting from original manufacturing defects in work-manship or materials.

The warranty is in effect for a period of:

- 1) for the Speaker Section, five (5) years, and
- 2) for the Subwoofer, one (1) year;

from date of purchase by the original owner from an authorized **MIRAGE®** dealer; and is valid only if the original dated bill of sale is presented when service is required.

The warranty does not cover damage caused during shipment, by accident, misuse, abuse, neglect, unauthorized product modification, failure to follow the instructions outlined in the owner's manual, failure to perform routine maintenance, damage resulting from unauthorized repairs or claims based upon misrepresentations of the warranty by the seller.

Warranty Service

If you require service for your **MIRAGE®** speaker(s) at any time during the warranty period, please contact:

- 1) the dealer from whom you purchased the product(s),
- 2) **MIRAGE® NATIONAL SERVICE**, 203 Eggert Road, Buffalo, N.Y. 14215 Tel: 716-896-9801 or
- 3) **MIRAGE®**, a division of Audio Products International Corp., 3641 McNicoll Avenue, Toronto, Ontario, Canada, M1X 1G5, Tel: 416-321-1800.
- 4) Additional service centers can be found by checking the **MIRAGE** website: www.miragespeakers.com or, by calling either of the above numbers.

You will be responsible for transporting the speakers in adequate packaging to protect them from damage in transit and for the shipping costs to an authorized **MIRAGE®** service center or to **MIRAGE®**. If the product is returned for repair to **MIRAGE®** in Toronto or Buffalo, the costs of the return shipment to you will be paid by **MIRAGE®**, provided the repairs concerned fall within the Limited Warranty. The **MIRAGE®** Warranty is limited to repair or replacement of **MIRAGE®** products. It does not cover any incidental or consequential damage of any kind. If the provisions in any advertisement, packing cartons or literature differ from those specified in this warranty, the terms of the Limited Warranty prevail.

GARANTIE

Garantie aux États-Unis et au Canada

La société **MIRAGE®** garantit cet appareil contre toute défectuosité attribuable aux pièces d'origine et à la main-d'oeuvre.

Cette garantie est valide pendant une période de :

- 1) cinq (5) ans sur la section haut-parleurs ;
- 2) un (1) an sur la sous-grave

à partir de la date d'achat auprès d'un revendeur **MIRAGE®** agréé ; la garantie ne sera honorée que sur présentation d'une pièce justificative de la date d'achat.

La garantie ne couvre aucun dommage subi pendant le transport ou imputable à un accident, à une utilisation impropre ou abusive, à la négligence, à une modification non autorisée, à la non-observance des instructions décrites dans le manuel de l'utilisateur ou des directives d'entretien, ni aucun dommage subi par suite de réparations non autorisées ou de réclamations fondées sur une mauvaise interprétation des conditions de la présente garantie par le revendeur.

Service sous garantie

Dans l'éventualité où une réparation deviendrait nécessaire pendant la période de couverture de la garantie, communiquez avec :

- 1) le revendeur auprès de qui l'appareil a été acheté,
- 2) **MIRAGE® National Service**, 203, Eggert Road, Buffalo, N.Y. 14215, tél. : 716-896-9801 ou
- 3) **MIRAGE®**, 3641, avenue McNicoll, Toronto (Ontario), Canada, M1X 1G5, tél. : 416-321-1800.
- 4) Pour connaître l'adresse de tous nos centres de service, consultez le site Web de **MIRAGE®** à www.miragespeakers.com ou composez l'un des numéros indiqués plus haut.

Le propriétaire de l'appareil est responsable de son emballage et de tous frais d'expédition à un centre de service **MIRAGE®** agréé ou à **MIRAGE®**. Si l'appareil est expédié à **MIRAGE®** à Toronto ou à Buffalo aux fins de réparation, les frais de réexpédition seront assumés par **MIRAGE®** à la condition que les réparations effectuées soient couvertes par la garantie. La garantie est limitée à la réparation ou au remplacement des appareils fabriqués et distribués par **MIRAGE®**. Elle ne couvre aucun dommage indirect ou consécutif de quelque nature que ce soit. Si les conditions accompagnant toute publicité, emballage ou documentation divergent de celles de la présente garantie, les conditions de la présente garantie prévaudront.