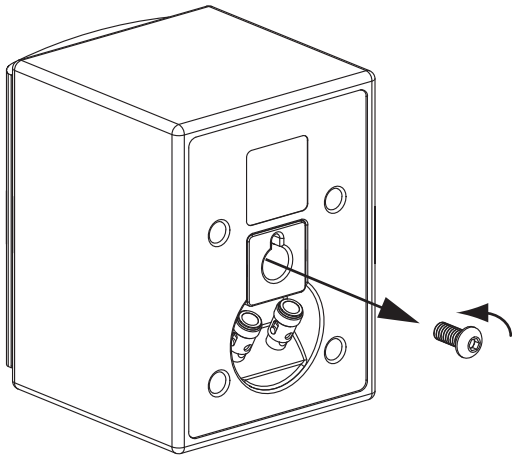
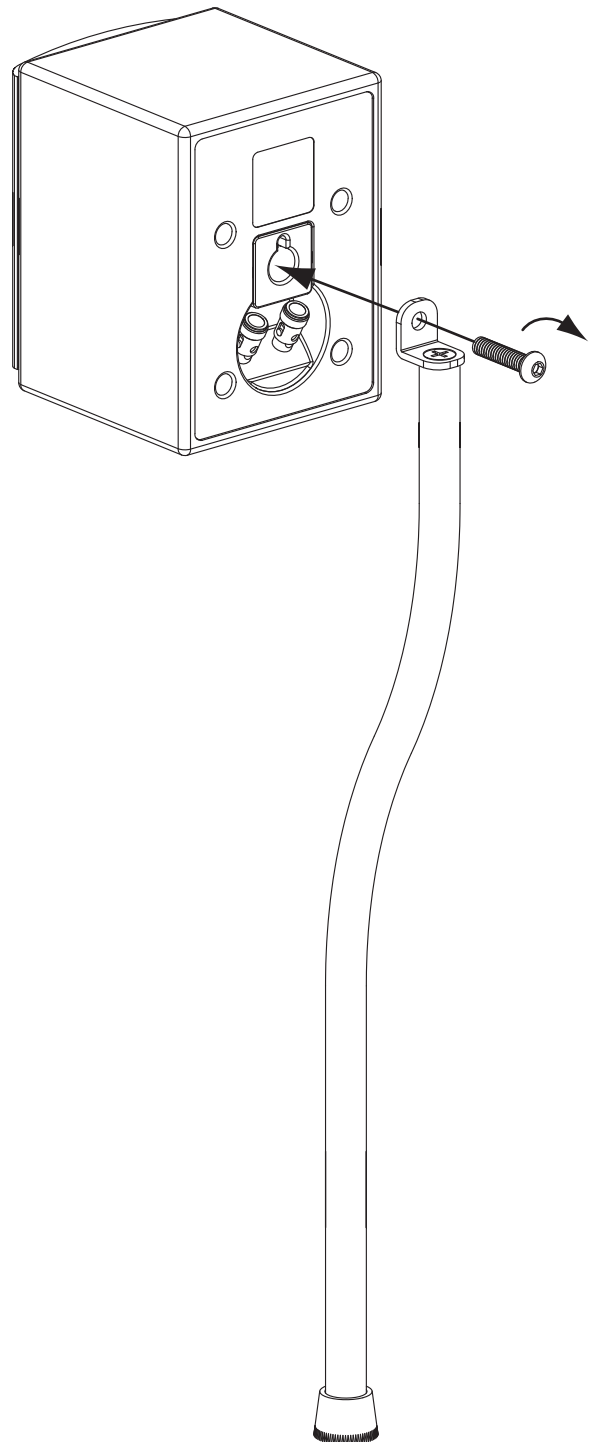


## SPEAKER STAND INSTALLATION

1



2



### COMPATIBLE WITH STANDS FROM:

**OmniMount**

ELO  
Gemini 1

**Sanus**

HTB3  
HTB7

**Vogels**

VLS 615  
VLS Glass

Please visit [www.energy-speakers.com](http://www.energy-speakers.com) for more information