



## Product registration

Thank you for purchasing an RCA product. We pride ourselves on the quality and reliability of all our electronic products but if you ever need service or have a question, our customer service staff stands ready to help. Contact us at [www.rcaaudiovideo.com](http://www.rcaaudiovideo.com).

**PURCHASE REGISTRATION:** Registering On-line will allow us to contact you in the unlikely event a safety notification is required under the Federal Consumer Safety Act. **Register Online at: [WWW.RCAAUDIOVIDEO.COM](http://WWW.RCAAUDIOVIDEO.COM). Click on Product Registration and Fill Out the Brief Questionnaire.**

## Enregistrement du produit

Merci d'avoir acheté un produit RCA. Nous sommes fiers de la qualité et de la fiabilité de tous nos produits électroniques, mais en cas de nécessité de réparation ou pour toute question, le personnel de notre service clientèle est prêt à vous aider. Contactez-nous sur [www.rcaaudiovideo.com](http://www.rcaaudiovideo.com).

**ENREGISTREMENT D'ACHAT:** Enregistrer votre produit en ligne nous permettra de communiquer avec vous pour tout avis de sécurité au sujet du produit en vertu du Federal Consumer Safety Act (Loi fédérale de protection du consommateur). **Enregistrez votre produit en ligne sur: [WWW.RCAAUDIOVIDEO.COM](http://WWW.RCAAUDIOVIDEO.COM). Cliquez sur Enregistrement produit et remplissez le court questionnaire.**

## Enregistramiento del producto

Gracias por comprar un producto RCA. Nos enorgullece la calidad y fiabilidad de todos nuestros productos electrónicos, pero si alguna vez necesita servicios técnicos o si tiene alguna pregunta, nuestro personal de atención al cliente está a su disposición para ayudarlo. Comuníquese con nosotros en [www.rcaaudiovideo.com](http://www.rcaaudiovideo.com). **REGISTRO DE COMPRA:** El registro en línea nos permitirá comunicarnos con usted en el caso de tener que enviarle algún aviso de seguridad en virtud de la Ley Federal de Seguridad del Consumidor. **Registre el producto en línea en: [WWW.RCAAUDIOVIDEO.COM](http://WWW.RCAAUDIOVIDEO.COM). Haga clic en Registro del producto y responda al cuestionario.**

## EN/F/E

It is important to read this user manual prior to using your new product for the first time.

*Nous vous recommandons de lire ce manuel avant d'utiliser votre nouveau produit pour la première fois.*

*Es importante leer este manual antes de usar por primera vez su equipo.*

RC127i

Made for



iPod



iPhone

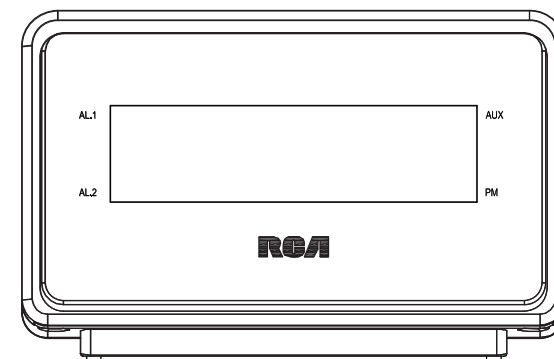
Conçu pour



iPod



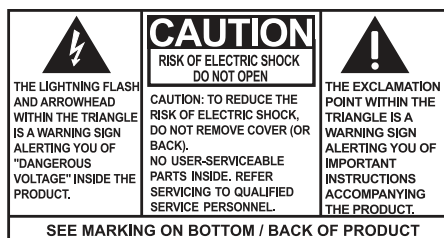
iPhone



## English

# IMPORTANT SAFETY INSTRUCTIONS

PLEASE READ AND SAVE THIS FOR FUTURE REFERENCE



**WARNING:** TO PREVENT FIRE OR ELECTRICAL SHOCK HAZARD, DO NOT EXPOSE THIS PRODUCT TO RAIN OR MOISTURE.

Some of the following information may not apply to your particular product; however, as with any electronic product, precautions should be observed during handling and use.

- Read these instructions.
- Keep these instructions.
- Heed all warnings.
- Follow all instructions.
- Do not use this apparatus near water.
- Clean only with dry cloth.
- Do not block any ventilation openings. Install in accordance with the manufacturer's instructions.
- Do not install near any heat sources such as radiators, heat registers, stoves, or other apparatus (including amplifiers) that produce heat.
- Protect the power cord from being walked on or pinched particularly at plugs, convenience receptacles, and the point where they exit from the apparatus.
- Only use attachments/accessories

specified by the manufacturer.

- Use only with the cart, stand, tripod, bracket, or table specified by the manufacturer, or sold with the apparatus. When a cart is used, use caution when moving the cart/apparatus combination to avoid injury from tip-over.
- Unplug this apparatus during lightning storms or when unused for long periods of time.
- Refer all servicing to qualified service personnel. Servicing is required when the apparatus has been damaged in any way, such as power-supply cord or plug is damaged, liquid has been spilled or objects have fallen into the apparatus, the apparatus has been exposed to rain or moisture, does not operate normally, or has been dropped.



Portable Cart Warning

### ADDITIONAL SAFETY INFORMATION

- The AC adapter supplied with this product is intended to be correctly oriented in a vertical or floor mount position.
- Do not use unauthorized chargers or power adapters. Use only chargers that came with your product or that is listed in the user's guide.

- Apparatus shall not be exposed to dripping or splashing and no objects filled with liquids, such as vases, shall be placed on the apparatus.
- Always leave sufficient space around the product for ventilation. Do not place product in or on a bed, rug, in a bookcase or cabinet that may prevent air flow through vent openings.
- Do not place lighted candles, cigarettes, cigars, etc. on the product.
- Care should be taken so that objects do not fall into the product.
- Do not attempt to disassemble the cabinet. This product does not contain customer serviceable components.
- The marking information is located at the bottom of apparatus.
- To be completely disconnect the power input, the AC adaptor of apparatus shall be disconnected from the mains.
- AC adaptor is a disconnect device. The AC adaptor should not be obstructed OR should be easily accessed during intended use.
- The ventilation should not be impeded by covering the ventilation openings with items such as newspaper, table-cloths, curtains etc.
- No naked flame sources such as lighted candle should be placed on the apparatus.

- Attention should be drawn to the environmental aspects of battery disposal.
- The use of apparatus in moderate climates.

## Electrical power information

AC/DC adapter

Input: 100 - 240 V AC, 50/60 Hz, 0.3 A

Output: 5.0 V DC, 1.2 A

**"Made for iPod"** and **"Made for iPhone"** mean that an electronic accessory has been designed to connect specifically to iPod or iPhone, respectively, and has been certified by the developer to meet Apple performance standards. Apple is not responsible for the operation of this device or its compliance with safety and regulatory standards.

iPhone, iPod, iPod classic, iPod nano and iPod touch are trademarks of Apple Inc., registered in the U.S. and other countries.

This Class B digital apparatus complies with Canadian ICES-003. Cet appareil numérique de la classe B est conforme à la norme NMB-003 du Canada.

## FCC Information

### FCC Information

**Note:** This equipment has been tested and found to comply with the limits for a Class B digital device, pursuant to Part 15 of FCC Rules. These limits are designed to provide reasonable protection against harmful interference in a residential installation. This equipment generates, uses, and can radiate radio frequency energy and, if not installed and used in accordance with the instructions, may cause harmful interference to radio communications.

However, there is no guarantee that interference will not occur in a particular installation. If this equipment does cause harmful interference to radio or television reception, which can be determined by turning the equipment off and on, the user is encouraged to try to correct the interference by one or more of the following measures:

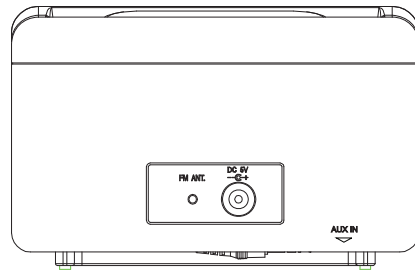
- Reorient or relocate the receiving antenna.
- Increase the separation between the equipment and receiver.
- Connect the equipment into an outlet on a circuit different from that to which the receiver is connected.
- Consult the dealer or an experienced radio/TV technician for help.

Changes or modifications not expressly approved by Audiovox could void the user's authority to operate the equipment.

## Before you begin

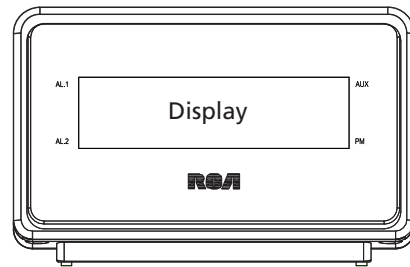
### Plugging in for power

- Connect the supplied power adapter to the unit's Power jack, and connect the other end to a convenient wall outlet.
- Once connected with power, the clock flashes. Refer to the "Clock" section and follow the instructions to set the clock time.



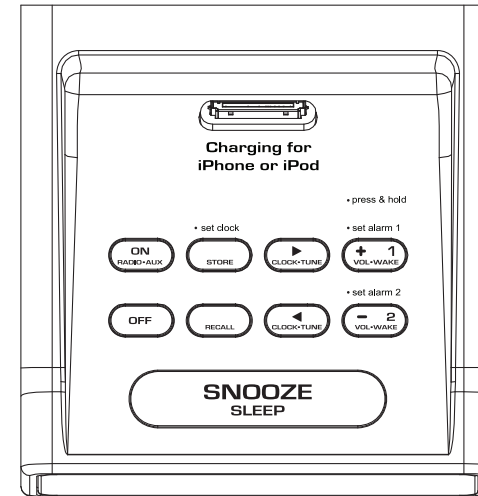
## General controls

### Front view



## General controls

### Top view



**ON RADIO • AUX** – Turn on the radio in standby mode. Press to switch between radio mode and aux mode.

**OFF** – Return to standby mode.

**STORE** – In radio mode, store radio stations as presets. In standby mode, press and hold to set the clock time.

**RECALL** – Recall preset stations

**◀/▶ CLOCK • TUNING** – Search radio frequencies; select Preset location; select station in Recall mode; adjust clock time and wake time; select wake mode and wake volume

**VOL+ • WAKE 1** – In radio and aux mode, increase volume. In standby mode, press to turn on/off alarm 1. Press and hold to set alarm 1.

**VOL- • WAKE 2** – In radio and aux mode, increase volume. In standby mode, press to turn on/off alarm 2. Press and hold to set alarm 2.

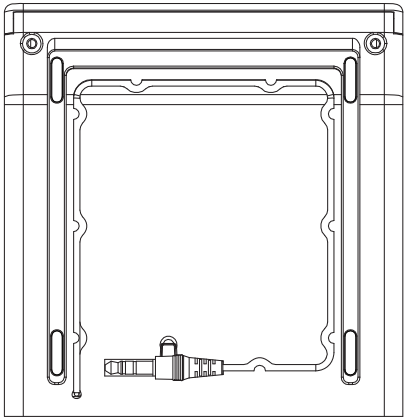
**SNOOZE/SLEEP** – Turn off the wake function momentarily; set sleep time. Refer to "Sleep function".

**This clock radio has been specifically designed to charge your iPod or iPhone. Playback of audio through the charging Pins (dock) is NOT supported.**



## Clock

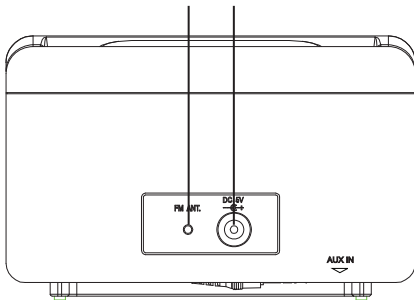
### Bottom view



**Attached 3.5mm cable** – Connect to your auxiliary source

### Rear view

FM antenna Power



**POWER** – Connect to the power adapter

### Setting clock

1. In standby mode, press and hold **SET CLOCK (STORE)** until the hour flashes on the display.
2. Press ◀/▶ to adjust the hour time. The PM indicator lights to show PM time. Press **SET CLOCK (STORE)** to shift to minute time. Press ◀/▶ to adjust the minute time and then press **SET CLOCK (STORE)** to save or wait for about 5 seconds until the hour and minute stop flashing.

## Radio

### Listening to the radio

#### To turn on or off radio:

- In standby mode, press **RADIO • AUX** to switch to radio mode.
- Press **OFF** to return to standby mode.

#### To tune frequency:

- In radio mode, press ◀/▶. The selected frequency shows on the display.
- Press and hold ◀/▶ to automatically search for the previous/next available station.

## Radio

### FM Antenna

The Built In Automatic Frequency Control (AFC) helps to reduce drift on FM reception and keeps the radio locked in on the FM station to which it is tuned.

This unit is equipped with an FM antenna at the back. Uncoil the antenna to its full length for best reception. Tape the end of the antenna onto the wall if possible to improve reception.

### Station presets

#### To store a station as preset:

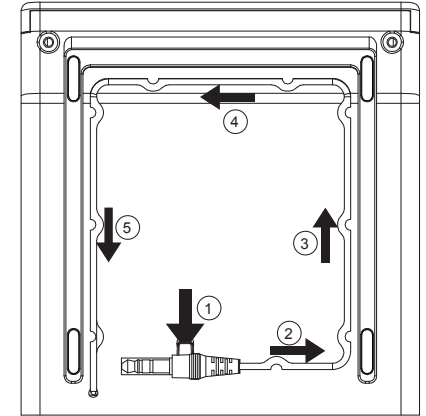
1. Tune to a radio station.
2. Press **STORE**, an available preset location (e.g. **P01**) shows on the display.
3. Press ◀/▶ to select a desired preset location (01 - 20).
4. Press **STORE**. You can save up to 20 preset stations.

#### To recall a preset station:

1. In radio mode, press **RECALL**.
  - The existing preset station number shows on the display.
2. Press **RECALL** repeatedly to select a desired preset station.

## Auxiliary source

1. Unwind the attached 3.5 mm cable at the bottom panel of the unit as shown.



2. To select auxiliary mode, connect your auxiliary source (e.g. mp3 player) to the attached 3.5 mm cable.
3. The **RADIO • AUX** button is used to cycle between Radio mode and Aux In mode. Press the button once or twice until you hear the Aux In source.

**Alarm functionality is not supported through the aux in cable. If you choose to wake using an alarm app or your phone's alarm function you must either 1) remove the 3.5mm cable from your phone or 2) leave the clock radio in aux mode before falling asleep.**



## Charging iPod/iPhone

### Charging iPod/iPhone

#### To connect iPod/iPhone:

Place your iPod/iPhone on the universal dock for iPod/iPhone.

#### To charge the iPod/iPhone:

You may charge the battery of your iPod/iPhone through the universal dock for iPod. Charging function is available in all modes.

Made for:

- iPhone 4S 16GB, 32GB, 64GB
- iPhone 4 16GB, 32GB
- iPhone 3GS 8GB, 16GB, 32GB
- iPhone 3G 8GB, 16GB
- iPod touch 4th generation 8GB, 32GB, 64GB
- iPod touch 3rd generation 32GB, 64GB
- iPod touch 2nd generation 8GB, 16GB, 32GB
- iPod touch 1st generation 8GB, 16GB, 32GB
- iPod nano 6th generation 8GB, 16GB
- iPod nano 5th generation 8GB or 16GB
- iPod nano 4th generation (video) 8GB, 16GB
- iPod nano 3rd generation (video) 4GB, 8GB
- iPod classic 80GB, 120GB, 160GB
- iPod nano 2nd generation (aluminum) 2GB, 4GB, 8GB
- iPod nano 1GB, 2GB or 4GB
- iPod 5th generation (video) 30GB, 60GB, 80GB
- iPod mini 4GB, 6GB
- iPod 4th generation (color display) 20GB, 30GB, 40GB, 60GB



## Wake function

### Set wake time

This unit allows 2 wake times to be set.

1. In standby mode, press and hold **SET ALARM 1 (WAKE 1)** or **SET ALARM 2 (WAKE 2)** until the hour flashes on the display.
2. Press ◀ / ▶ to adjust the hour time. Press **SET ALARM 1 (WAKE 1)** to shift to minute time. Press ◀ / ▶ to adjust the minute. Press **SET ALARM 1 (WAKE 1)** or **SET ALARM 2 (WAKE 2)** when you have finished setting the minute.
3. Press ◀ / ▶ to select the alarm source.  
AL – Buzzer  
F – FM Radio  
Press **SET ALARM 1 (WAKE 1)** or **SET ALARM 2 (WAKE 2)** to confirm.

Tune to a valid desired FM station before you select wake to FM Radio.



4. Press ◀ / ▶ to set the alarm volume level from level 10 to level 30.
5. To save and exit the wake setting, press **SET ALARM 1 (WAKE 1)** or **SET ALARM 2 (WAKE 2)**.

### Turn off the wake function

#### To silence the wake function momentarily:

- Press **SNOOZE/SLEEP**. The alarm will sound again when the snooze period is over. The snooze period is 9 minutes.

#### To turn off the alarm

- Press any keys other than **SNOOZE/SLEEP**.

#### To stop the wake function or to disable the wake function completely:

- Press **WAKE 1** or **WAKE 2** twice until the indicator beside **AL1** or **AL2** does not show on the display.

## Sleep function

In the sleep mode, the radio and aux can be set to operate for a certain period of time before turning off automatically.

### To set the sleep time:

1. In radio mode or aux mode, press **SNOOZE/SLEEP** repeatedly to cycle among the sleep times available.

### To change or check the remaining time in sleep mode:

- Press **SNOOZE/SLEEP** once to check the remaining sleep time. Press **SNOOZE/SLEEP** repeatedly to select another sleep time.

### To cancel the sleep mode:

- Press **OFF** to cancel the sleep mode and turn off the unit.

- If you press **SNOOZE/SLEEP** repeatedly to select "OFF", this will turn off the unit.
- The expiration of the **SLEEP** period will only turn off the clock radio. It will not turn off your external source (eg: mp3 player). Therefore be aware that your external source batteries may run down when using the **SLEEP** function.



## Warranty information

### 12 Month Limited Warranty Applies to RCA Clock Radios

AUDIOVOX ACCESSORIES CORP. (the Company) warrants to the original retail purchaser of this product that should this product or any part thereof, under normal use and conditions, be proven defective in material or workmanship within 12 months from the date of original purchase, such defect(s) will be repaired or replaced with reconditioned product (at the Company's option) without charge for parts and repair labor.

To obtain repair or replacement within the terms of this Warranty, the product is to be delivered with proof of warranty coverage (e.g. dated bill of sale), specification of defect(s), transportation prepaid, to the Company at the address shown below.

This Warranty does not extend to the elimination of externally generated static or noise, to correction of antenna problems, loss/interruptions of broadcast or internet service, to costs incurred for installation, removal or reinstallation of product, to corruptions caused by computer viruses, spyware or other malware, to loss of media, files, data or content, or to damage to tapes, discs, removable memory devices or cards, speakers, accessories, computers, computer peripherals, other media players, home networks or vehicle electrical systems. This Warranty does not apply to any product or part thereof which, in the opinion of the Company, has suffered or been damaged through alteration, improper installation, mishandling, misuse, neglect, accident, or by removal or defacement of the factory serial number/bar code label(s). THE EXTENT OF THE COMPANY'S LIABILITY UNDER THIS WARRANTY IS LIMITED TO THE REPAIR OR

REPLACEMENT PROVIDED ABOVE AND, IN NO EVENT, SHALL THE COMPANY'S LIABILITY EXCEED THE PURCHASE PRICE PAID BY PURCHASER FOR THE PRODUCT.

This Warranty is in lieu of all other express warranties or liabilities. ANY IMPLIED WARRANTIES, INCLUDING ANY IMPLIED WARRANTY OF MERCHANTABILITY, SHALL BE LIMITED TO THE DURATION OF THIS WRITTEN WARRANTY. ANY ACTION FOR BREACH OF ANY WARRANTY HEREUNDER INCLUDING ANY IMPLIED WARRANTY OF MERCHANTABILITY MUST BE BROUGHT WITHIN A PERIOD OF 24 MONTHS FROM DATE OF ORIGINAL PURCHASE. IN NO CASE SHALL THE COMPANY BE LIABLE FOR ANY CONSEQUENTIAL OR INCIDENTAL DAMAGES FOR BREACH OF THIS OR ANY OTHER WARRANTY. No person or representative is authorized to assume for the Company any liability other than expressed herein in connection with the sale of this product.

Some states do not allow limitations on how long an implied warranty lasts or the exclusion or limitation of incidental or consequential damage so the above limitations or exclusions may not apply to you. This Warranty gives you specific legal rights and you may also have other rights which vary from state to state.

### Recommendations before returning your product for a warranty claim:

- Properly pack your unit. Include any remotes, memory cards, cables, etc. which were originally provided with the product. However DO NOT return any removable batteries, even if batteries were included with the original purchase. We recommend using the original carton and packing materials. Ship to the address shown below.
- Note that product will be returned

with factory default settings. Consumer will be responsible to restore any personal preference settings.

**Audiovox Electronics Corp.**  
**Attn: Service Department.**  
**150 Marcus Blvd.**  
**Hauppauge N.Y. 11788**

1-800-645-4994

For Canada Customers, please ship to:  
Audiovox Return Centre  
c/o Genco  
6685 Kennedy Road,  
Unit#3, Door 16,  
Mississauga, Ontario  
L5T 3A5

Illustrations contained within this publication are for representation only and subject to change.

The descriptions and characteristics given in this document are given as a general indication and not as a guarantee. In order to provide the highest quality product possible, we reserve the right to make any improvement or modification without prior notice.