

TV42

Owner's Manual



Amplified/Outdoor
Satellite Dish Clip-on Antenna

TERK[®]

Safety Precautions

TV42

Warning!

Use extreme caution when installing or removing an outdoor antenna that is located close to overhead wires such as power lines, telephone lines or cable TV lines. If any part of the antenna makes contact with overhead power lines, touching the antenna or the antenna cable can cause electrocution and death. If the antenna is in contact with any type of overhead wires, call your power company and ask them to send a qualified technician to remove the antenna. Do not attempt to remove it yourself!

Important Safety Precautions...

Many do-it-yourself and professional antenna installers are injured or killed each year by electric shock. While anyone can see the obvious danger of falling, the most resourceful sometimes fail to recognize overhead wires as being potentially lethal. To touch any part of the antenna to these overhead wires is the same as touching the wires with your bare hand. A very serious shock is almost sure to result when contacting an electrical wire, and in the case of primary wires on the tip of poles, the shock is like being struck by a bolt of lightning. Many power wires are within 20 to 25 feet of the ground and can easily be touched by an assembled antenna.

Please read and follow these important safety precautions:

- Get help from a qualified professional when removing the old antenna if there is any doubt of clearing overhead wires.
- Never install the antenna outdoors at night or in inclement weather conditions.
- Make sure the antenna downlead cable is connected to suitable lightning arrestors.
- Make sure the antenna installation is secure.

Lightning protection

Always plug your TV and other electronic devices into a quality surge protector for maximum protection against lightning and power surges.

- Be sure to select an antenna site well away from all overhead wires.
- Do not try to guess which overhead wires carry high voltage. Check with the power company.
- If you notice anything making contact with the overhead wires, call the power company to have it removed safely.
- Do not run the downlead cable over power lines.

All outdoor antenna installations should be properly grounded. To effectively protect the installations, the coaxial cable(s) should be grounded before they enter the house. The grounding of the coaxial cable is made using a "ground block" and copper wire (not supplied). For information, and the materials needed to ground your antenna installation, visit your local electronics store.

1

About your new TV42 outdoor TV antenna

TV42

The TV42 features an internal amplifier that minimizes signal loss. The satellite receiver powers the amplifier, so no additional power supply is required. Because TERK's antenna elements are manufactured to be weather-resistant, they'll perform at their best for many years to come.

For best reception results...

For the best reception results, the satellite dish and antenna combination should be high off the ground with minimal signal obstructions. On the side of your house (close to the roof), or on the roof itself, generally offers the best environment for reception. Remember, you can always rotate the antenna on the dish to adjust your reception.

Before you begin

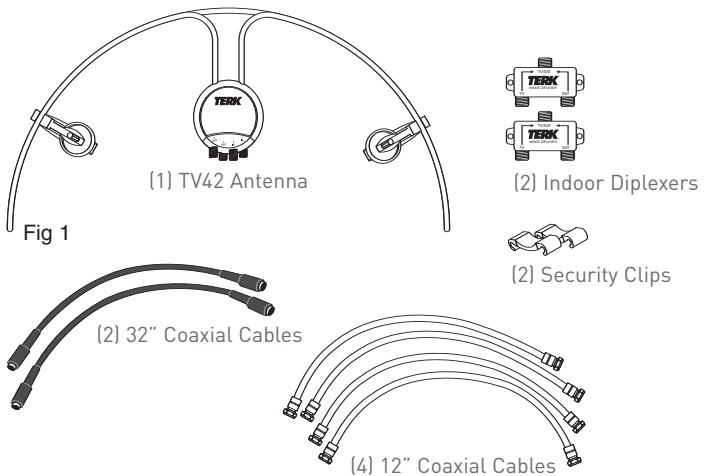
Please take a moment to familiarize yourself with the various elements in the TV42 package. Please make sure that your package includes all of the necessary pieces (see Fig 1). If you believe your box is missing any pieces, please call TERK Technical Support at 1(800) 942-TERK (8325).

How to install your new TV42 antenna

The TV42 installation consists of three basic steps:

1. Install and connect the TV42 antenna
2. Install the indoor duplexers
3. Set up your television set(s) to use the TV42

Please be sure to complete all of these steps before attempting to watch local channels with your TV42.



2

Installing the TV42 on a satellite dish

TV42

1. Make sure all satellite receivers are turned off and unplugged from the electrical outlet.
2. Unsnap the antenna from the back notch of the mounting clamp. See Fig 2.

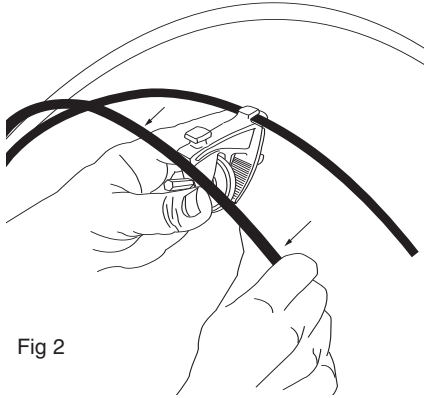


Fig 2

3. Hold the antenna to the back of the dish so that the circular housing is centered with the TERK logo facing out. See Fig 3.

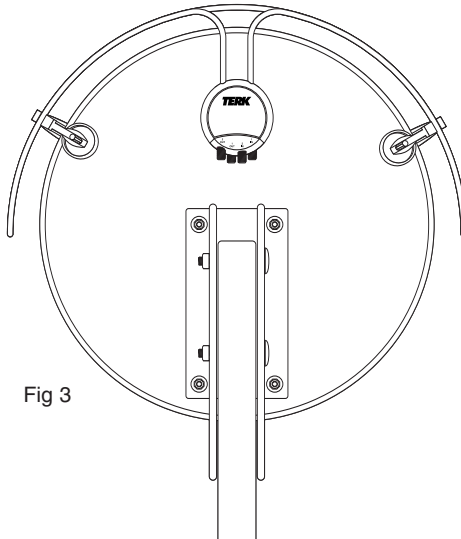


Fig 3

3

4. Maneuver the clamps over or around the edge of the dish one at a time. See Fig 4.



Fig 4

5. Snap the antenna back into the back notch of the mounting clamp.
6. Tighten the clamps by turning the thumb-wheel screw clockwise.

Note: We recommend the use of the enclosed security clips for any dish 20" or larger. Snap the security clips onto the TV42 and slide down towards the mounting clips. See Fig 5.

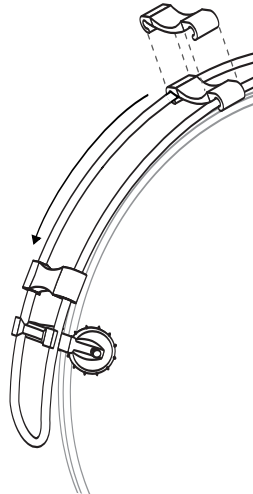


Fig 5

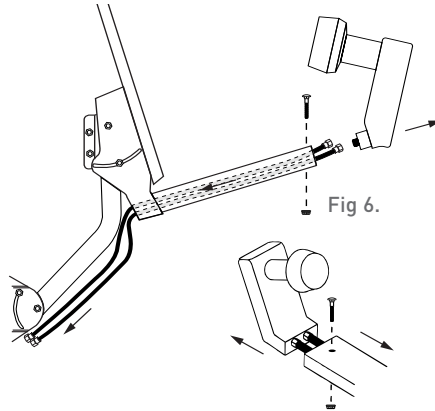
Connecting the TV42

TV42

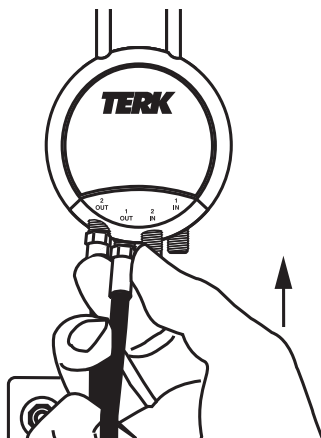
Depending on the type of satellite dish you have, go to one of the following five scenarios to determine how to connect the TV42 antenna to your satellite dish.

A-Single LNB (Phase1) Satellite Dish

1. Remove the LNB from the arm of the satellite dish to expose the satellite cables. See Fig 6.



2. Disconnect the satellite cable(s) from the satellite dish's LNB and pull them out through the bottom of the satellite dish arm. See Fig 6.
3. Connect the satellite cables to the terminals marked OUT 1 and OUT 2 on the TV42 antenna. See Fig 7.



5

- Slide 2 black 32" antenna cables up through the satellite arm and connect to the LNB. See Fig 8.
- Reconnect the LNB to the dish arm. See Fig 8.

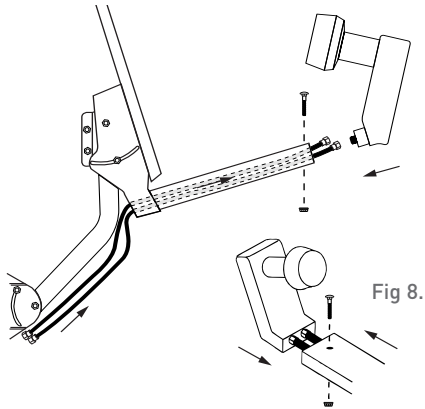


Fig 8.

- Connect the remaining end of the 2 black 32" antenna cables to the IN 1 and IN 2 terminals on the TV42 antenna. See Fig 9.

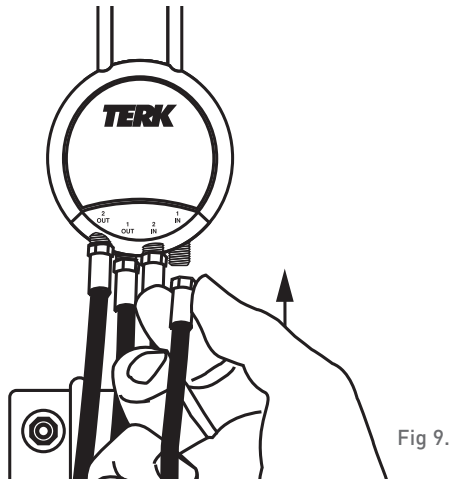


Fig 9.

- Continue to "Installing the Indoor Diplexers."

Connecting the TV42 (continued)

TV42

B - Triple LNB (Phase3) Satellite Dish

Note: You can only connect up to 2 receivers to your satellite dish with the TV42. If you would like to use or eventually use up to 4 receivers, you will need to purchase the Terk TV44 antenna instead.

1. Remove the LNB from the arm of the satellite dish to expose the satellite cables. See Fig 10.

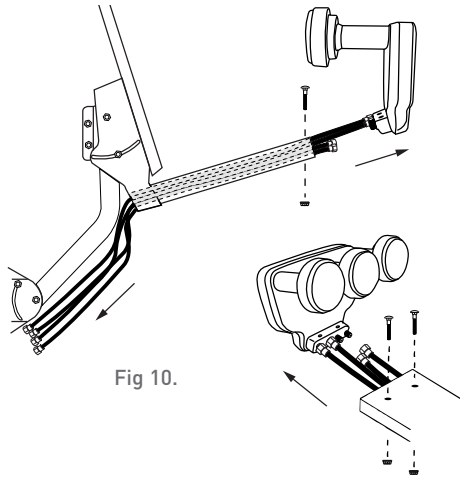


Fig 10.

2. Disconnect 2 satellite cable(s) from the satellite dish's LNB and pull them out through the bottom of the satellite dish arm. See Fig 10.
3. Connect the satellite cables to the terminals marked OUT 1 and OUT 2 on the TV42 antenna. See Fig 11.

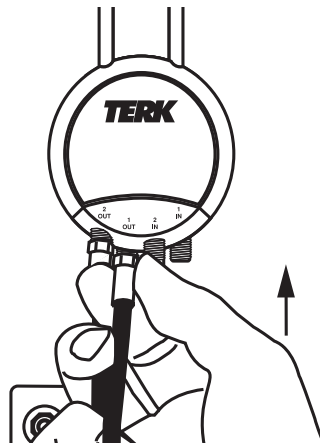


Fig 11.

7

4. Slide 2 black 32" antenna cables up through the satellite arm and connect to the LNB. See Fig 12.
5. Reconnect the LNB to the dish arm. See Fig 12.

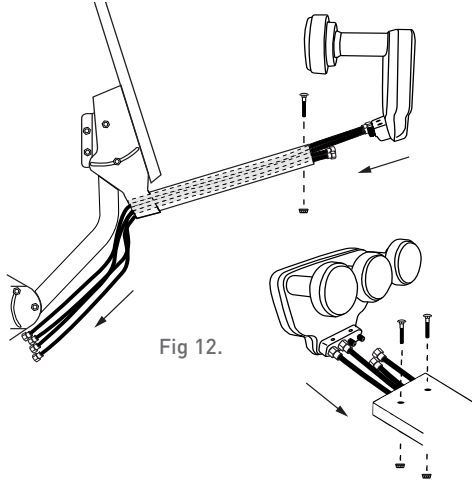


Fig 12.

6. Connect the remaining end of the 2 black 32" antenna cables to the IN 1 and IN 2 terminals on the TV42 antenna. See Fig 13.

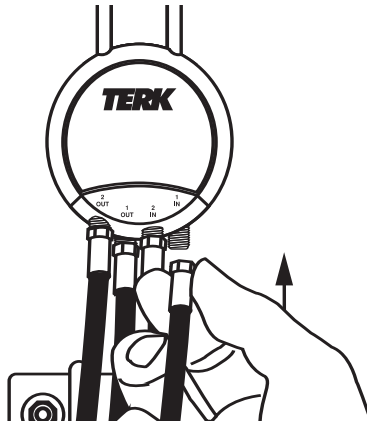


Fig 13.

7. Continue to "Installing the Indoor Diplexers."

Connecting the TV42 (continued)

TV42

C - Phase 2 Satellite Dish

1. Disconnect the satellite cables from the "OUTPUT" or "TO RECEIVER" terminals on your multiswitch.
2. Connect the satellite cables to the OUT 1 and OUT 2 terminals on the TV42 antenna. See Fig 14.

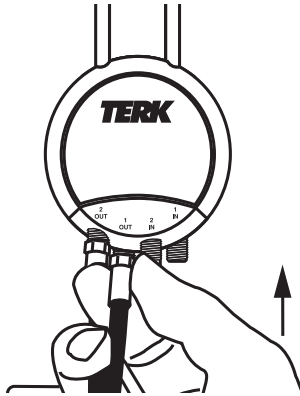


Fig 14.

3. Using the 2 black 32" antenna cables, connect the IN 1 and IN 2 terminals of the TV42 to the "OUTPUT" or "TO RECEIVER" terminals on your multiswitch. See Fig 15.

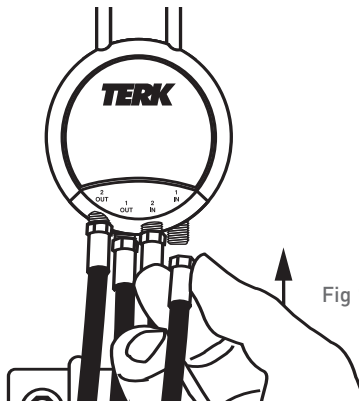


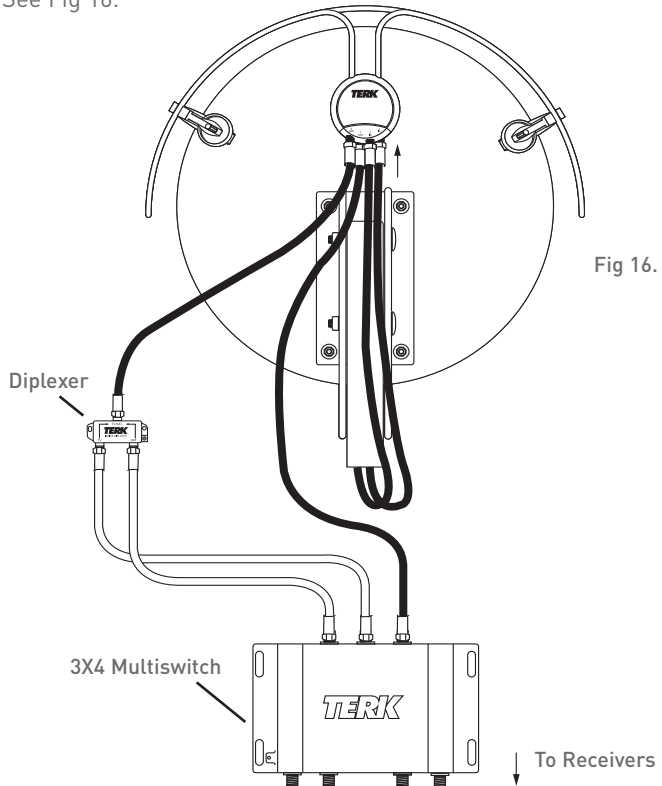
Fig 15.

4. Continue to "Installing the Indoor Diplexers."

D- Using a Multiswitch with an Antenna Input

Note: You may need to purchase additional diplexers and antenna wires to complete this installation.

1. Complete "Scenario A" instructions. (Page 5)
2. Locate your multiswitch and disconnect the satellite wire from the 18 volt or Satellite A/101 18 volt terminal.
3. Connect the satellite wire to the TV/SAT terminal of the diplexer.
See Fig 16.



4. Use one of the supplied white 12" antenna cables to connect the "TV" terminal of the diplexer to the ANTENNA INPUT on the multiswitch. See Fig 16.
5. Use the other supplied white 12" antenna cable to connect the "SAT terminal" of the diplexer to the 18 volt (or Satellite "B" Terminal) of the multiswitch. See Fig 16.
6. Continue to "Installing the Indoor Diplexers."

Connecting the TV42 (continued)

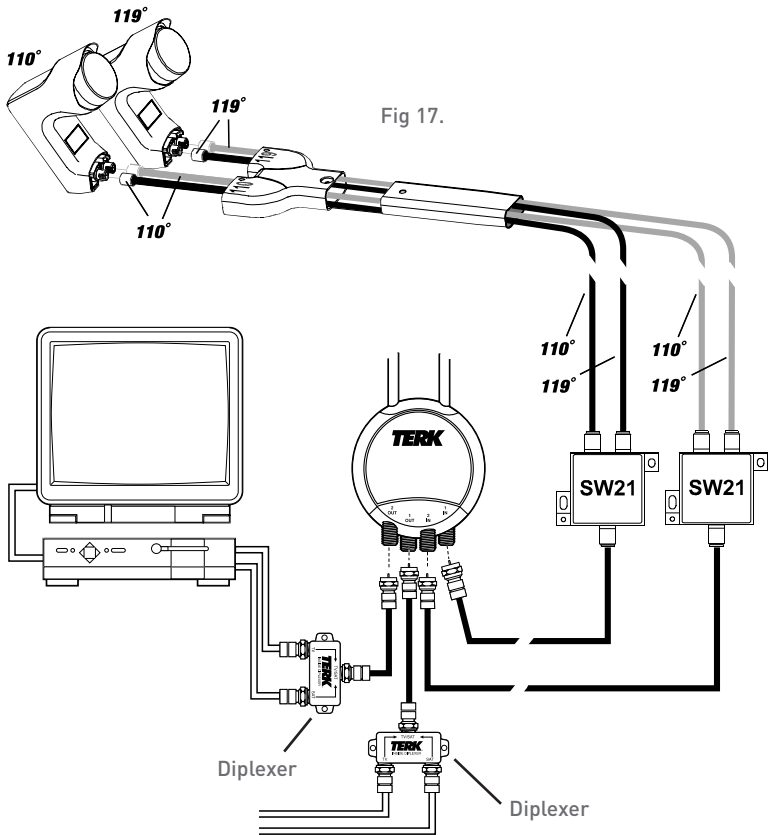
TV42

E - With Dish 500 Using SW21 Switches

1. Locate your SW21 multiswitches and disconnect the satellite leads connected to the "TO RECIEVER" terminals. See Fig 17.
2. Connect the satellite leads to the OUT 1 and OUT 2 terminals on the TV42. See Fig 17.

NOTE: You may need to extend the satellite leads using a barrel connector and extra RG6 coaxial cable if they are not long enough.

3. Using 2 black 32" antenna cables connect the "TO RECIEVER" terminals on the SW21 multiswitches to the IN 1 and IN 2 terminals on the TV42 antenna. See Fig 17.



NOTE: You may need to purchase longer antenna cables separately if the supplied black 32" antenna cables are not long enough.

4. Continue to "Installing the Indoor Diplexers."

11

Installing the indoor diplexers

1. Disconnect the satellite cable from the "SAT IN" terminal on your satellite receiver. See Fig 18 .

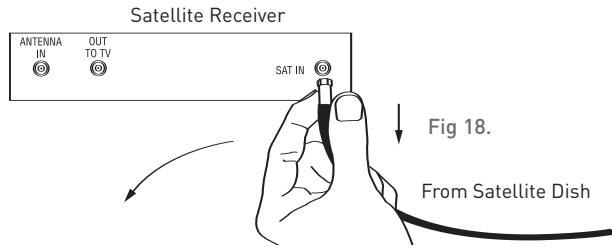


Fig 18.

2. Connect the satellite cable to the terminal marked "TV/SAT" on the indoor diplexer. See Fig 19.
3. Connect one of the supplied white 12" connector cables from the terminal labeled "SAT" on the inside diplexer to your satellite receiver's "SAT IN" terminal. See Fig 19.
4. Connect the other white 12" connector cable from the terminal labeled "TV" on the inside diplexer to your satellite receiver's "ANT IN" terminal. See Fig 19.
5. Connect a coaxial cable (not supplied) from the satellite receiver's "TV OUT" terminal to your television or VCR. See Fig 19.
6. Repeat step for each satellite receiver.
7. Continue to "Setting up your TV".

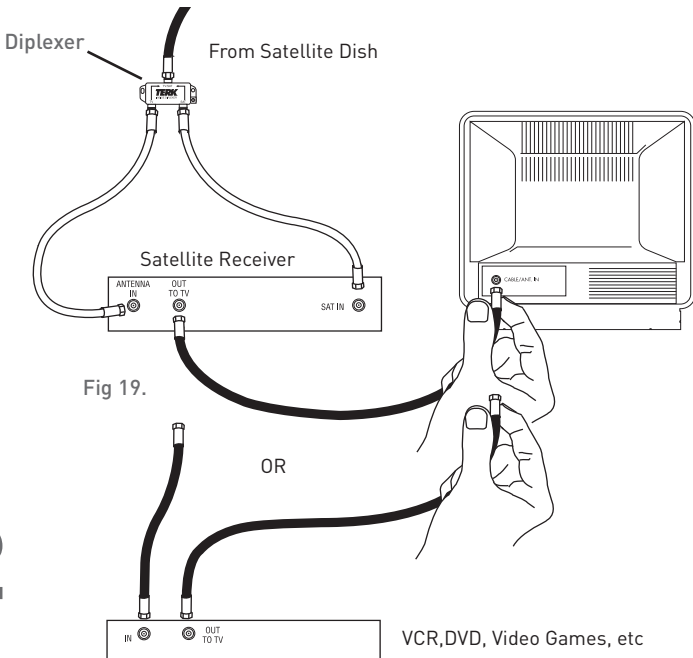


Fig 19.

Setting up your TV

1. Access the menu of your TV and make sure the TV is in ANT/AIR mode and not CABLE/CATV mode. Please refer to your TV manual for the exact steps to change this option.
2. Access the menu of your TV and run the "Auto Program" option. Please refer to your TV manual for the exact steps to change this option.
3. Set your TV to your favorite channel.
4. To fine tune local channel reception, rotate the TV42 antenna around the perimeter of the dish until you receive the best possible picture. Tighten the clips so that the antenna is firmly secured to the satellite dish in that position.
5. The TV42 is now ready to receive local programming.

Note: Satellite receiver should be turned off to view local channels.

Limited Warranty

TERK TECHNOLOGIES CORP. (TERK) warrants this product against defects in materials or workmanship for one year from the date of purchase. During this warranty period this product will be repaired or replaced, at TERK's option, without charge.

Please read your instructions thoroughly and use this product only as directed. This warranty does not cover any damage due to commercial use, accident, misuse, abuse, or negligence. This warranty is valid only in the United States of America.

Repair or replacement as provided under this warranty is the exclusive remedy of the consumer. TERK shall not be liable for any incidental or consequential damages for breach of any expressed or implied warranty on this product, except to the extent prohibited by applicable law. Any implied warranty of merchantability or fitness for a particular purpose on this product is limited to the duration of this warranty.

For more information, visit www.terk.com. or,
for technical support, call 1.800.942.TERK (8375).

78P008A