

# Limited Warranty

---

Audiovox Corporation (Audiovox) warrants this product against defects in materials or workmanship for one (1) year from the date of purchase. During this period, this product will be replaced without charge. This warranty does not cover any damage due to acts of nature, commercial use, accident, misuse, abuse or negligence. This warranty is only valid in the USA. Replacement as provided under this warranty is the exclusive remedy of the consumer. Audiovox shall not be liable for any incidental or consequential damages for breach of any express or implied warranty on this product, except to the extent that limitations of this sort are prohibited by applicable law. THERE ARE NO IMPLIED WARRANTIES OF MERCHANTABILITY OR FITNESS FOR A PARTICULAR PURCHASE EXCEPT TO THE EXTENT THAT IMPLIED WARRANTIES OR EITHER SORT ARE REQUIRED BY APPLICABLE LAW, AND IN SUCH CASE, EACH WARRANTY IS LIMITED IN DURATION TO THE ONE YEAR.



For Customer Service  
Visit Our Website At  
[www.audiovox.com](http://www.audiovox.com)  
Product Information, Photos,  
FAQ's, Owner's Manuals

**For customer service and  
technical information:: 1.800.290.6650**

# TV55

Owner's Manual

---



Indoor/Outdoor  
Amplified TV Antenna

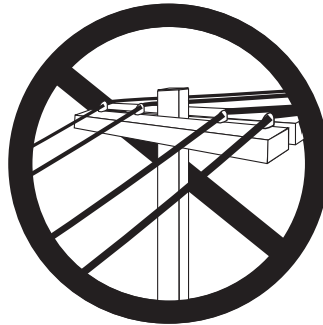
**TERK**<sup>®</sup>  
by AUDIOVOX

# Safety Precautions

TV55

## Warning!

Use extreme caution when installing or removing an outdoor antenna that is located close to overhead wires such as power lines, telephone lines or cable TV lines. If any part of the antenna makes contact with overhead power lines, touching the antenna or the antenna cable can cause electrocution and death. If the antenna is in contact with any type of overhead wires, call your power company and ask them to send a qualified technician to remove the antenna. Do not attempt to remove it yourself!



## Important Safety Precautions...

Many do-it-yourself and professional antenna installers are injured or killed each year by electric shock. While anyone can see the obvious danger of falling, the most resourceful sometimes fail to recognize overhead wires as being potentially lethal. To touch any part of the antenna to these overhead wires is the same as touching the wires with your bare hand. A very serious shock is almost sure to result when contacting an electrical wire, and in the case of primary wires on the top of poles, the shock is like being struck by a bolt of lightning. Many power wires are within 20 to 25 feet of the ground and could easily be touched by an assembled antenna.

Please read and follow these important safety precautions:

- Be sure to select an antenna site well away from all overhead wires.
- Do not try to guess which overhead wires carry high voltage. Check with the Power Company.
- If you notice anything making contact with the overhead wires, call the Power Company to have it removed safely. Do not run the download cable over power wires.
- Get help from a qualified professional when removing the old antenna if there is any doubt of clearing overhead wires.
- Never install the antenna outdoors at night, when it is windy, or during rain or snow.
- Make sure the antenna installation is secure.
- Do not stand on, lean on, hang from or hang anything on the antenna once it is mounted.

#### Lightning Protection and Grounding

Always plug your TV and other electronics devices into a quality surge protector for maximum protection against lightning and power surges.

- Do not run the download cable over power wires.
- Make sure the antenna download is connected to suitable lightning arrestors.

All outdoor antenna installations should be properly grounded. To effectively protect the installation, the coaxial cable(s) should be grounded before they enter the house. The grounding of the coaxial cable is made using a "ground block" and copper wire (not supplied). For information and the materials needed to ground your antenna installation, visit your local electronics store.

If you are not sure how to install the grounding block and rod, please consult your local retailer or TERK's Technical Support Department at 1-800-290-6650.

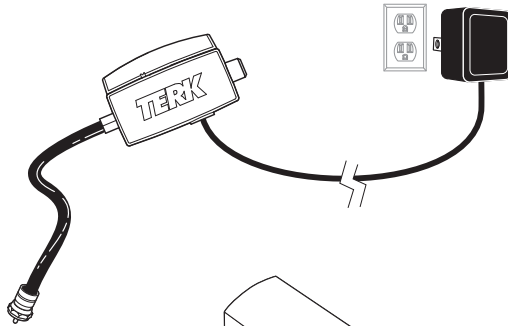
# About Your New TERK TV55 Antenna

TV55

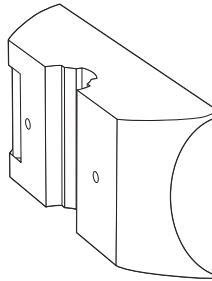
Your TERK TV55 antenna is designed for both single and multi-family homes. It's specifically engineered to provide superior reception of high-definition (HDTV), digital television (DTV) and VHF/UHF TV channels in most viewing locations. The TV55's unique antenna technology and patented Dual-Mode integrated powered amplifier produce the clearest, cleanest signals available from a compact, unobtrusive design that blends well with any home decor. The TV55's weatherproof, hermetically sealed housing offers ultra-reliable performance year after year. No assembly of the antenna is required. The TV55 comes with all necessary mounting hardware for flexible placing indoors or outdoors.

Your TV55 Antenna Includes:

- (1) TV55 Amplified Antenna
- (1) Power injector with 110vAC to DC power adapter



(1) Mast Mount Base



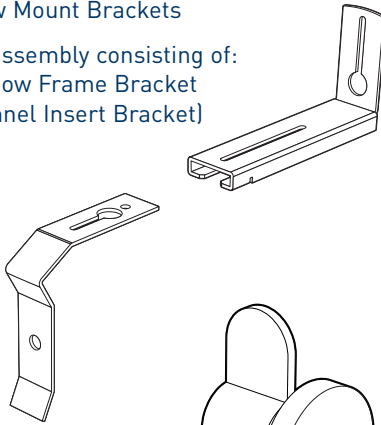
(1) Mast Mount Cover



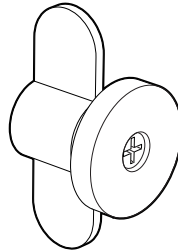
3

(2) Window Mount Brackets

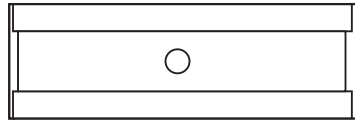
(2)-piece assembly consisting of:  
(1) Window Frame Bracket  
(1) Channel Insert Bracket



(2) Wall-Mount Cam-locks



(1) 7.5" Channel Insert



(1) 36" RG6 coaxial cable

(1) 9 3/4" Flat coaxial cable

(2) #10 Plastic wall anchors

(2) #8 Plastic wall anchors

(1) 1/4-20 x 1 1/2" Hex-head bolt

(1) 1/4-20 x 2 1/2" Hex-head bolt

(2) 1/4-20 x 3/4" Hex-head bolts

(1) 1/4-20 Wing nut

(2) 1/4" - 20 Hexagon nuts

(2) #10 x 2 1/2" Flat-head screws

(2) #8 x 1 1/2" Pan-head screws

(2) 1/4" Split washers

## Positioning the TV55

TV55

The TV55 MUST be mounted horizontally (See Fig 1.); with the front of the TV55 facing the general direction of the TV station's broadcasting transmitters. See Fig 2. The higher the elevation of the antenna, the better the reception performance will be.

Pointing the Antenna Towards the Broadcast Tower

1. Go to [www.terk.com](http://www.terk.com) and click on the "Antenna Locator" link.
2. Enter your home address and then "Submit."
3. Click "View Street Level Map" to see in which direction you should face your antenna towards.

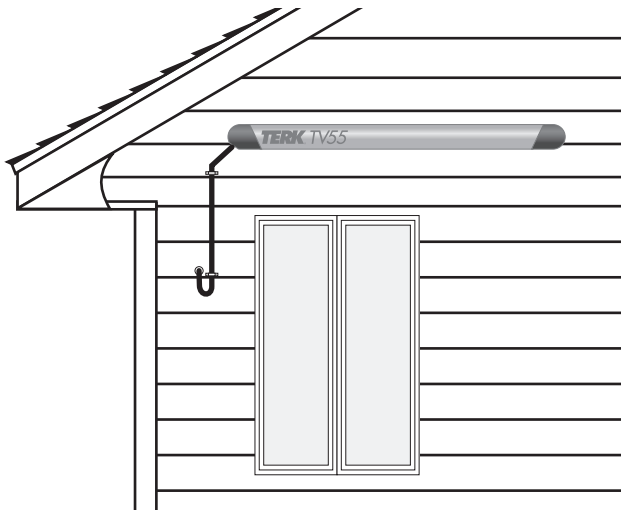
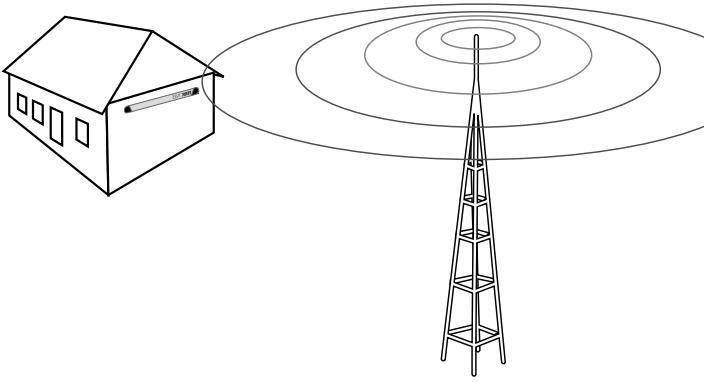


Fig 1.

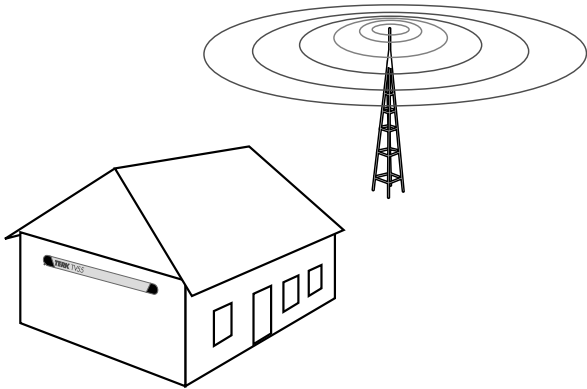
Right



On the side of the house facing the broadcast tower

Fig 2.

Wrong



Not on the side of the house facing the broadcast tower



# Mounting the TV55 Antenna

TV55

## Mounting Options:

The TV55 can be mounted in many ways both indoors (such as on a wall or in an attic) and outdoors (such as on a mast, on a wall, or either under a window or a roof's eave). Decide where you will mount the TV55 and follow the appropriate directions.

### Indoors/Outdoors using Wall Mount Brackets

#### Indoors

Select a spot in your home where the antenna may be positioned horizontally and out of the way of large metal objects which may cause interference. Be sure the antenna is not in a position where it could easily fall or be damaged.

Note: Never install the antenna onto a metal surface. This will seriously degrade reception quality.

Do not mount the antenna indoors if you have stucco walls or aluminum siding.

#### Outdoors

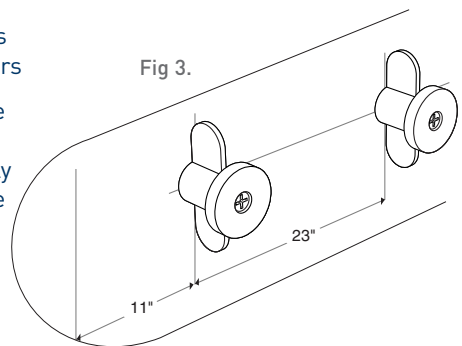
Your TV55 antenna may also be mounted outdoors - on a roof's eave or outside a window. Mount the antenna away from trees or other obstructions, as higher frequencies may be affected by these obstructions.

Note: Mounting the antenna on aluminum siding or any metal surface will greatly degrade reception. For the optimum performance, mount the antenna horizontally, with the front aiming at the general direction of the TV station's broadcasting transmitters. The higher the antenna's elevation, the better the reception performance will be.

**Warning!** Never hang anything from or attach any weight to the mounting brackets or the antenna.

1. Locate:
  - (2) Wall-Mount Cam-locks
  - (2) #10 plastic wall anchors
2. Mark the mounting surface you have chosen. Make a pencil mark approximately 11" in from one end of the antenna. Along a level horizontal line, make a second mark 23" from the first.

See Fig 3.



3. Use the #10 screws and plastic anchors to secure each of the Wall-Mount Cam-lock units into the wall at the marks made in Step #2. (As an alternative mounting method, you may choose to use longer screws directly attached into wood supports, wall studs, or use a different wall-anchoring device.) Make sure the Cam-lock wings are vertical. See Fig 3.
4. Carefully position the TV55 antenna so that the Cam-locks slide into the channel on the rear of the antenna. See Fig 4.
5. Once the Cam-locks are in the channel properly, turn the Cam-locks 1/4-turn to secure the antenna. Do not turn these more than necessary to lock into the antenna and secure it snugly. See Fig 5.

Note: If the Cam-locks do not lock securely, you may need to adjust the location of the Cam-locks along the channel.

6. Skip to the "Connecting the TV55 Antenna to a TV" section to finish installation.

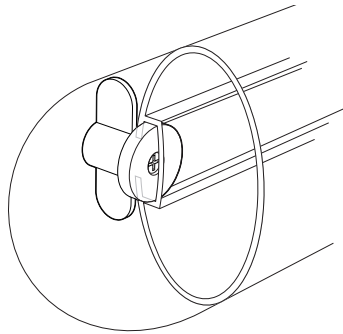


Fig 4.

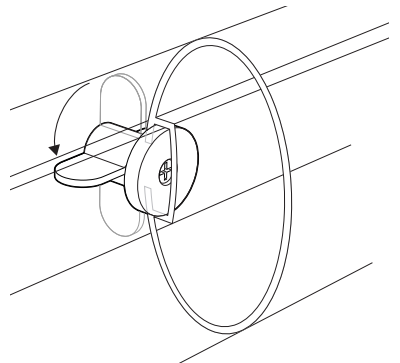


Fig 5.

## Mounting the TV55 Antenna (continued)

TV55

Outdoors using Window Mounting:

1. Locate:
  - (1) Channel Insert
  - (2) 3/4" bolts
  - (2) Hex-head nuts
  - (2) Split washers
  - (2) Window Mount Brackets
  - Plastic anchors and screws  
(depending on the material being mounted to)
2. Break the Channel Insert into 2 pieces at the score line.  
See Fig 6.

Note: Do not break Channel Insert if mounting on a mast. See the "Mast Mounting" section.

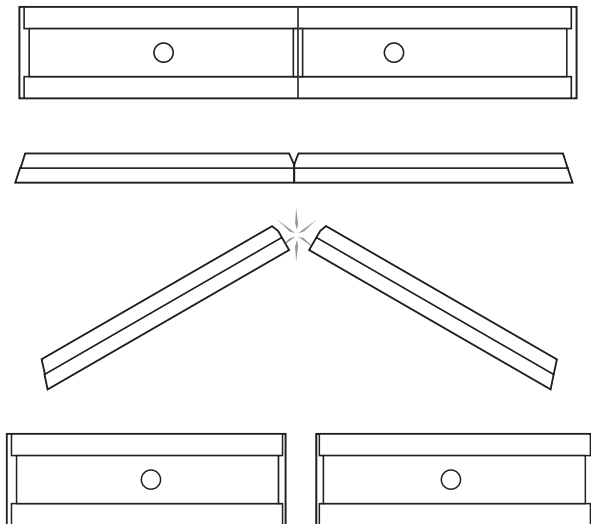


Fig 6.

3. Insert a hex-head bolt into each of the Channel Inserts. Insure that the bolt head fits into the hexagon recess on the insert.
4. Slide the Channel Inserts into the channel on the back of the TV55 - the bolts should be pointing away from the antenna. See Fig 7.

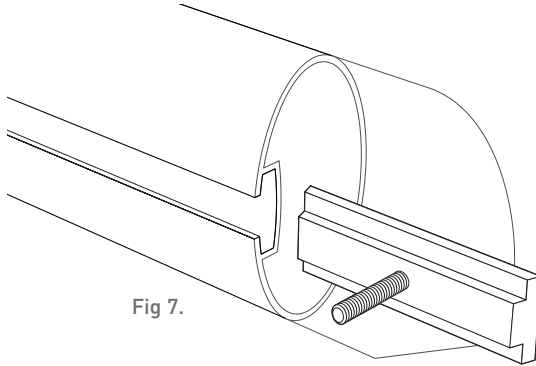


Fig 7.

5. Unscrew the Window Mount Bracket so you can separate the two pieces (Channel Insert Bracket and Window Frame Bracket) - keep the screw since you will need to use it again.
6. Attach the Channel Insert Brackets onto the channel insert bolt on the TV55. See Fig 8. Tighten with split washers and hex nuts.

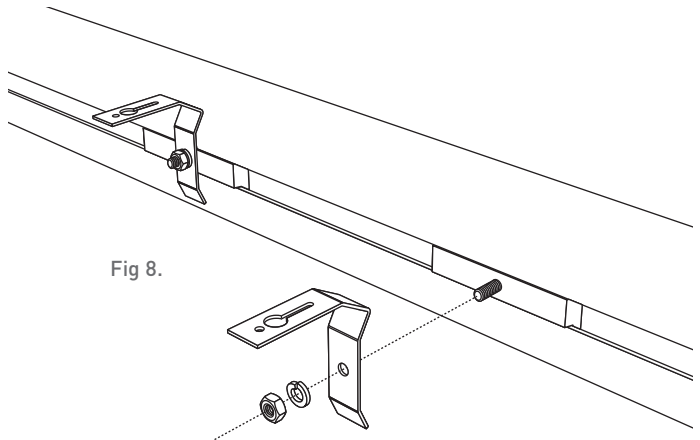


Fig 8.

## Mounting the TV55 Antenna (continued)

TV55

- Determine the location on the window where the TV55 will be mounted.
- Attach the Window Frame Brackets to the window. Be sure the brackets are level and line up with the channel inserts already on the antenna.
- Insert the Channel Insert Brackets attached to the antenna into the slots on the Window Frame Brackets already mounted on the window. Reattach the brackets with the screw removed earlier. See Fig 9.

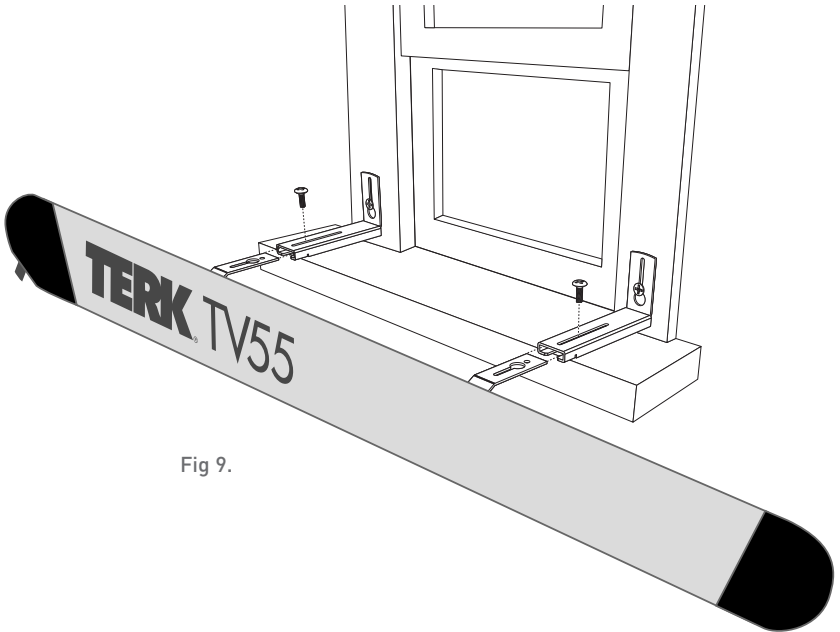


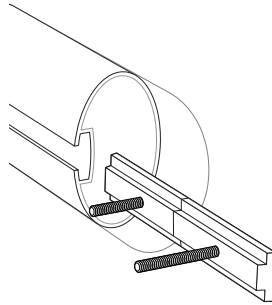
Fig 9.

- Skip to the "Connecting the TV55 Antenna to a TV" section to finish installation.

Outdoors using Mast Mounting:

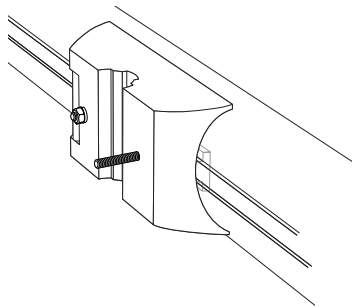
1. Locate:
  - (1) Channel Insert
  - (1) Mast Mount Base and Cover
  - (1) 1 1/2" hex-head bolt
  - (1) 2 1/2" hex-head bolt
  - (1) Hex nut
  - (1) Wing nut
2. Insert both hex-head bolts into the Channel Insert at the hex-head recess. Slide the Channel Insert into the channel on the back of the TV55. The bolts should be pointing away from the antenna. See Fig 10.

Fig 10.



3. Take the Mast Bracket Base and insert it over the bolts on the Channel Insert, with the 1 1/2" bolt closest to the hinge. Center the Mast Bracket on the TV55. Secure and tighten the 1 1/2" bolt with a hex nut. Do not over tighten. See Fig 11.

Fig 11.



## Mounting the TV55 Antenna (continued)

TV55

4. Determine mast size. The supplied Mast Bracket will fit a 1 1/4" or 1 1/2" mast. If the mast being used is 1 1/2" in diameter, the tabs on the Mast Bracket Cover needs to be removed using a pair of pliers. See Fig 12.

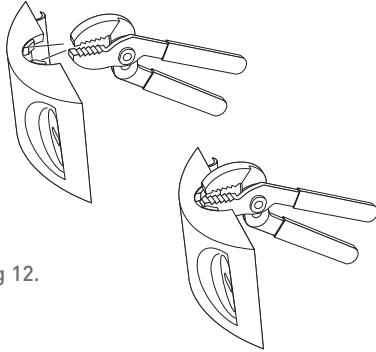
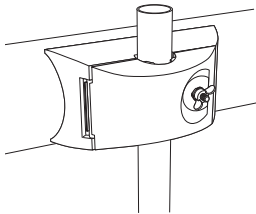


Fig 12.

5. Attach the Mast Bracket Cover to the Mast Bracket Base by inserting at the hinge.
6. Place the Mast Bracket at the desired height on the mast.
7. Close the cover and secure the 2 1/2" bolt with the wing nut. Do not over tighten. See Fig 13.

Fig 13.



8. Skip to the "Connecting the TV55 Antenna to a TV" section to finish installation.

# Connecting the TV55 to a TV

TV55

1. Run the RG6 coaxial cable from the antenna towards your television set and connect the RG6 coaxial cable to the supplied Power Injector on the terminal labeled "TO ANTENNA".
2. Connect the "TO TV" lead on the power injector to the "ANT IN" on your TV.
3. Plug the Power Adapter from the Power Injector into a standard AC outlet. Switch the Power Injector "ON" for amplification. See Fig 14.

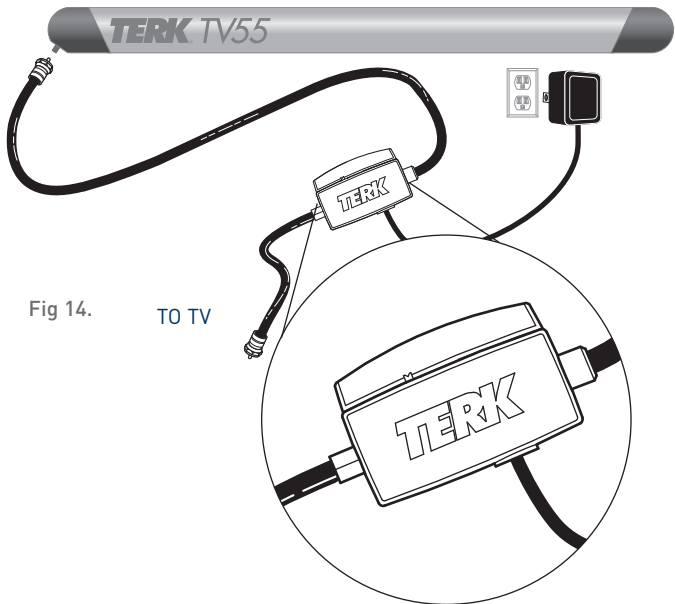
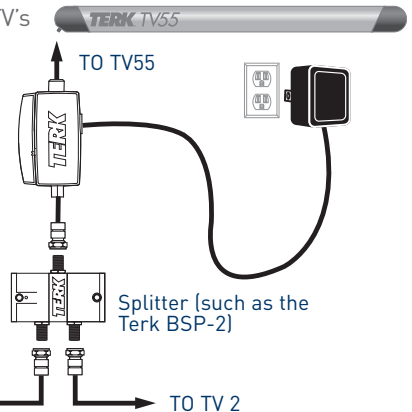


Fig 14. TO TV

## Splitting the Signal to Multiple TV's

Follow the diagram to use the TV55 with more than one TV. A splitter will be required (sold separately).

NOTE: The Power Injector MUST be installed between the TV55 and the splitter. Failure to do so could cause a short circuit. The Power Injector should always be located indoors.





# Running Cable

TV55

Under a Window:

1. Connect one end of the supplied RG6 coaxial cable to the "F"-connector output on the end of the TV55 and connect the other end to the 9 3/4" white flat cable.

Note: If the supplied RG6 Coaxial Cable is not long enough, you can purchase additional lengths of RG6 Coaxial Cable from the retailer you purchased the TV55 antenna from.

2. Run the white flat cable through an open window. Make sure that it runs under the window to ensure proper window closure. See Fig 15.

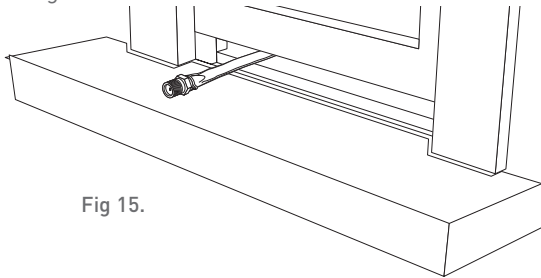


Fig 15.

Run a coaxial cable (not supplied) from the inside end of the 9<sup>3</sup>/<sub>4</sub>" white flat cable towards your television set and connect the coaxial cable to the supplied Power Injector on the terminal labeled "TO ANTENNA".

Through a Wall:

If you do not use the supplied 9 3/4" white flat cable to run your coaxial cable through a window and instead choose to drill through an external wall, be careful to avoid contact with any power lines, telephone lines, cable TV lines or plumbing.

1. Connect one end of the supplied RG6 coaxial cable to the "F"-connector output on the end of the TV55.

Note: If the supplied RG6 Coaxial Cable is not long enough you can purchase additional lengths of RG6 Coaxial Cable from the retailer you purchased the antenna from.

2. Drill a hole in an exterior wall matching the diameter of the RG6 coaxial cable

3. Run the RG6 Coaxial Cable through the hole into the home.

Note: Please see "Water Damage Prevention" for proper sealing of the hole.

### Water Damage Prevention:

At the point where your coaxial cable lead enters the house, you should allow for some slack in the coaxial cable as a “drip loop.” This will prevent moisture from running down the coaxial cable and entering the house.

Run the coaxial cable approximately six inches below the wall entry point and then turn it upwards towards this spot. See Fig 16. Any moisture that accumulates on the coaxial cable will drip off in the bend instead of running into the house. You should seal the point where the cable enters your home with a rubber weather insulator or silicone caulking (not included) An “F” connector wall plate can be used inside the home to cover the inside portion of the hole. You can typically find an “F” connector wall plate at any local Electronics or Hardware store.

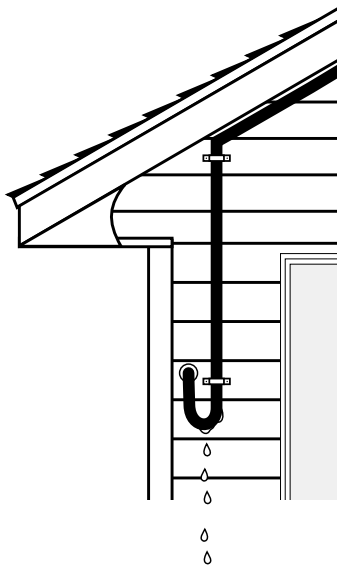


Fig 16.

## For Use With a Satellite Dish

# TV55

TV55 Installation Procedure for use with a Satellite Dish

If you have a satellite dish it is possible to install the TV55 using the same wiring as the satellite dish. To do this you will need to purchase a set of diplexers (Terk model BDS-P1). The instructions listed below are for a basic satellite system. If you have a more complex satellite system and wish to install the TV55 in this manor please call TERK Support at 1-800-290-6650.

Note: THE POWER-INJECTOR SHOULD NOT BE INSTALLED WHEN USING A SATELLITE SYSTEM WITH THE TV55.

1. Disconnect the coaxial cable from your satellite dish's LNB.
2. Reconnect this coaxial cable to the outdoor diplexer on the terminal labeled "SAT/ANT".
3. Connect the RG6 coaxial cable download from the TV55's "F"-connector to an OUTDOOR diplexer-port (not included) labeled "ANT". Connect the remaining coaxial cable from the LNB to the diplexer-port labeled "SAT". (The ports on all of the diplexers are "F"-connectors.)
4. Disconnect the coaxial cable from your Satellite Receivers "SAT-IN" Terminal and reconnect it to an Indoor Diplexer (not included) "TV/SAT"
5. Connect an RG6 coaxial cable from the INDOOR diplexer-port labeled "SAT" to the "F"-connector port on the back of the satellite receiver labeled "SAT-IN". Connect an RG6 coaxial cable from the INDOOR diplexer-port labeled "TV" to the "F"-connector port on the back of the satellite receiver labeled "ANT IN".
6. Connect an RG6 coaxial cable from the satellite receiver port labeled OUT-TO-TV to the "F"-connector port at the back of the "TV" labeled "ANT-IN".

Note: For assistance locating any antenna accessories not included with this product please call our Technical Support Department toll-free at 1-800-290-6650 Monday through Friday 9:00AM to 5:00 PM EST or contact us at [www.audiovox.com](http://www.audiovox.com).

## Trouble Shooting

### TV55

- Q. I am not getting any channels above channel 13.
- A. Most TV's today are cable ready. When a cable ready TV is in the CABLE or CATV mode and you try to use an antenna with it, you will not receive any channels above 13. Access the TV's set-up menu and switch it from CABLE or CATV mode to ANTENNA or AIR mode.
- Q. I am not receiving channels clearly.
- A. Turn the Power Injector on and off. Determine which position is best suited to receive your channels. NOTE: Some channels may come in clearer with the Power Injector turned off.
- Q. I am not receiving all channels.
- A. Reposition the TV55 to a different location, such as the other side of the house or to a higher location. Obstructions such as other houses or buildings, large trees, mountains and water towers can cause poor reception. As a general rule, the higher the antenna is mounted the better your reception will be.
- Q. I am seeing ghosts or double images in the picture.
- A. Ghosting is caused by multi-path. This happens when the antenna signal reflects off of a tall obstruction and hits your antenna multiple times. Each reflection causes a ghost. To solve this problem, try repositioning the TV55 to a location where the reflections are prevented from hitting it, such as the other side of the house or to a higher location.

Need more help?

Call 1-800-290-6650 for TERK's Technical Support Department Monday through Friday 9:00AM to 5:00PM EST, or contact us at [www.audiovox.com](http://www.audiovox.com).

If your TV has a connection not mentioned in this manual, contact Terk for the appropriate adapter.