

Veritas Series

Owner's Manual

IMPORTANT SAFETY INSTRUCTIONS!

1. READ these instructions.
2. KEEP these instructions.
3. HEED all warnings.
4. FOLLOW all instructions.
5. DO NOT use this apparatus near water.
6. CLEAN ONLY with dry cloth.
7. DO NOT block any ventilation openings. Install in accordance with the manufacturer's instructions.
8. Do not install near any heat sources such as radiators, heat registers, stoves, or other apparatus (including amplifiers) that produce heat.
9. ONLY USE attachments/accessories specified by the manufacturer.
10. USE only with a cart, stand, tripod, bracket, or table specified by the manufacturer, or sold with the apparatus. When a cart is used, use caution when moving the cart/apparatus combination to avoid injury from tip-over.
11. DO NOT expose this apparatus to dripping or splashing and ensure that no objects filled with liquids, such as vases, are placed on the apparatus.



The exclamation point, within an equilateral triangle, is intended to alert the user to the presence of important operating and maintenance (servicing) instructions in the literature accompanying the product.



The lightning flash with arrowhead symbol within an equilateral triangle, is intended to alert the user to the presence of uninsulated "dangerous voltage" within the product's enclosure that may be of sufficient magnitude to constitute a risk of electrical shock to persons.

WARNING: To reduce the risk of fire or electrical shock, do not expose this apparatus to rain or moisture.

WARNING: No naked flame sources – such as candles – should be placed on the product.



SPEAKER SET-UP

For optimum acoustic performance, use the spike feet. On hard floors, the spike receiver cups may be utilized. When spike use is not practical, use the threaded rubber bumper feet. A base plinth is provided with this product and should be utilized for optimal stability.

To attach the plinth to the base of the cabinet, carefully stand the speaker on its top on a non-abrasive surface. Take care not to scratch the elegant finish or damage the drivers while handling. Align the mounting holes in the plinth with threaded inserts in the bottom of the cabinet. Attach the plinth to the cabinet with the four mounting screws provided.

Screw the spike feet (with lock nuts) fully into the threaded inserts. Place the speaker upright in desired location. Use the wrench provided to adjust the spike height so the unit is level and stable (not rocking). Next, tighten the lock nuts to secure the spike feet in their adjusted location. (See Figure 6.)

ROOM PLACEMENT

Your Veritas loudspeakers will perform well in a variety of locations, but best results will be achieved using the following guidelines:

Front Left and Right Speakers (See Figures 1 and 2.)

- Place on a common wall 6 to 15 feet apart.
- If used in a home theater system, position the speakers flanking your video display.
- Position them equidistant from the back wall.
- Position them at the same height above the floor (for non-floor standing models) with the high frequency drivers at seated ear height.
- Angle speakers toward the listener and even with or forward of any adjacent obstructions.

- Placing them near a corner or wall provides the greatest amount of bass while moving the speakers away from room boundaries reduces bass energy.
- Asymmetrical placement of a pair of speakers from adjacent side walls can smooth room-induced bass unevenness.
- Bookshelf models may be placed on shelves or optional floor stands.
- Experiment with the above guidelines to suit your taste and to compensate for your room's acoustic characteristics.

Center Channel Speakers (See Figures 1 and 2.)

- Place immediately above or below center of your video display.
- Use the supplied self-stick rubber pads to cover the bottom of the speaker. (See Figure 4.)

Surround Channel Speakers (See Figures 1 and 2.)

- Place approximately 2 feet above the listening position. (Typically this will be about 5-7 feet above the floor.)
- The surrounds should be placed on the walls directly adjacent to the listening position. Another option would be on the wall behind the listening position.
- The final surround speaker placement depends on your room's characteristics.
- Use the attached wall bracket to hook to an appropriately sized screw head screwed into a wall stud or wall anchor with a suitable weight bearing capacity. (See Figure 2.)
- See your Energy dealer for optional, adjustable wall mounts if required. These mounts utilize the threaded bushings on the rear of the cabinet.
- The new Veritas surrounds have bipole and dipole settings. If your surrounds will be placed parallel with your seating area, use the dipole setting. If the surrounds are placed elsewhere then use the bipole setting. (See Figure 5.)



CAUTION! Never use the attached wall bracket for mounting the speaker to the ceiling!

CONNECTING



CAUTION! Turn your amplifier off before making any connections.

Your loudspeakers are equipped with positive (Red) and negative (Black) connection terminals on the rear of the cabinet. These correspond to the positive and negative terminals on the appropriate channel (left, right, center, rear, etc.) of your amplifier.

Standard Connections (See Figure 3.)

- Some Veritas speakers come with dual binding posts that are connected by a metal strip. Do not remove this strip or your speakers will not function correctly. Keep this strip in place and connect your speaker wire to the top set of the binding posts. It is possible to "Bi-wire" a speaker that has two sets of binding posts. Please see your receiver's manual for further instructions.
- All speakers in your system must be connected in phase with the positive speaker terminal connected to the positive amplifier terminal. Repeat this for the negative speaker terminal and amplifier terminals. Most speaker wire has distinguishing markings on the insulation of one of the conductors to assist in correct hook up.
- Use 16 gauge (AWG), two conductor, copper wire at a minimum and larger gauge wire for longer runs. The connection terminals on your loudspeaker will accommodate bare wire, spade terminals or banana type plugs.
- Use either pair of positive and negative terminals keeping the metal coupling straps in place.



CAUTION! With all connection types, take care that there is no contact between the positive and negative terminals at the speaker and amplifier. Damage to your equipment may result!

Bass Management

When using your speakers in a home theater system, consult the owner's manual of your surround electronics for proper application of bass management settings.

- As a general rule, compact speakers (Bookshelf, Center Channel and Surrounds) are set to the "Small," or bass-limited setting.
- Floorstanding speakers are typically set to the "Large," or full-range setting.
- Also refer to the electronics instructions for adjusting the relative volume levels of the speakers so they are at the same level when in the listening position.

CARE AND CLEANING

- Occasional dusting or wiping of the cabinet with a damp cloth is all that is required. Never use abrasive or solvent type cleaners or harsh detergents.
- A vacuum cleaner with a soft brush attachment may be used to clean the grille fabric.
- Never spray polishes or cleaners on the drive units (woofers, midranges or tweeters).

WARRANTY – U.S. AND CANADA

Energy warrants to the original retail purchaser that this product is to be free from defective materials and workmanship for a period of five (5) years from the date of purchase, if it is properly used and maintained. If this product proves defective in either material or workmanship, Energy, at its option, will (a) repair the product, or (b) replace the product, at no charge for parts or labor. If the product model is no longer available and cannot be repaired effectively or replaced with an identical model, Energy at its sole option may replace the unit with a current model of equal or greater value. In some cases, modification to the mounting surface may be required where a new model is substituted. Energy assumes no responsibility or liability for such modification. To obtain a repair or replacement under the terms of this warranty, please return to dealer first, if possible, and they will direct you accordingly for repairs or replacement. You will be required to submit a copy of the original receipt.

Limitations:

- This limited warranty does not cover failure of the product resulting from improper installation, misuse, abuse, accident, neglect, mishandling or wear from ordinary use or environmental deterioration.
- This limited warranty does not cover cosmetic damage, including paint damage, or consequential damage to other components or premises which may result for any reason from the failure of the product.
- This limited warranty is null and void for products not used in accordance with Energy's instructions.
- This limited warranty is null and void for products with altered or missing serial numbers and for products not purchased from an authorized dealer.
- This limited warranty terminates if you sell or otherwise transfer this product to another party.

THIS WARRANTY GIVES YOU SPECIFIC LEGAL RIGHTS, AND YOU MAY ALSO HAVE OTHER RIGHTS WHICH VARY FROM STATE TO STATE, JURISDICTION TO JURISDICTION OR COUNTRY TO COUNTRY. ENERGY'S RESPONSIBILITY FOR MALFUNCTIONS AND DEFECTS IN HARDWARE IS LIMITED TO REPLACEMENT OR REPAIR AS SET FORTH IN THIS WARRANTY STATEMENT. FOR CANADIAN CUSTOMERS, ENERGY DISCLAIMS ALL OTHER WARRANTIES AND CONDITIONS, EXPRESS OR IMPLIED, STATUTORY OR OTHERWISE, FOR THE PRODUCT. FOR U.S. CUSTOMERS, ALL EXPRESS AND IMPLIED WARRANTIES FOR THE PRODUCT, INCLUDING BUT NOT LIMITED TO ANY IMPLIED WARRANTIES OF MERCHANTABILITY AND FITNESS FOR A PARTICULAR PURPOSE ARE LIMITED IN TIME TO THE TERM OF THIS WARRANTY. SOME STATES, JURISDICTIONS OR COUNTRIES DO NOT ALLOW THE EXCLUSION OF CERTAIN IMPLIED WARRANTIES OR CONDITIONS, OR LIMITATIONS ON HOW LONG AN IMPLIED WARRANTY OR CONDITIONS LASTS, SO THIS LIMITATION MAY NOT APPLY TO YOU. ENERGY DOES NOT ACCEPT LIABILITY FOR SPECIAL, INDIRECT, CONSEQUENTIAL OR INCIDENTAL DAMAGES, INCLUDING WITHOUT

LIMITATION, ANY LIABILITY FOR THIRD PARTY CLAIMS AGAINST YOU FOR DAMAGES OR FOR PRODUCTS NOT BEING AVAILABLE FOR USE. THE MAXIMUM LIABILITY FOR WHICH ENERGY MAY BE RESPONSIBLE WILL BE NO MORE THAN THE AMOUNT YOU PAID FOR THE PRODUCT THAT IS THE SUBJECT OF THE CLAIM. SOME STATES, JURISDICTIONS OR COUNTRIES DO NOT ALLOW THE EXCLUSION OR LIMITATION OF SPECIAL, INDIRECT, INCIDENTAL OR CONSEQUENTIAL DAMAGES, SO THE ABOVE LIMITATION OR EXCLUSION MAY NOT APPLY TO YOU.

WARRANTY OUTSIDE THE U.S. AND CANADA

The Warranty on this product if it is sold to a consumer outside of the United States and Canada shall comply with applicable law. To obtain any applicable warranty service, please contact the dealer from which you purchased this product, or the distributor that supplied this product.

PRODUCT REGISTRATION

Register your Energy Speakers at energy-speakers.com/register

FCC AND CANADA EMC COMPLIANCE INFORMATION:

NOTE: This equipment has been tested and found to comply with the limits for a Class B digital device, pursuant to part 15 of the FCC Rules. These limits are designed to provide reasonable protection against harmful interference in a residential installation. This equipment generates, uses and can radiate radio frequency energy and, if not in-stalled and used in accordance with the instructions, may cause harmful interference to radio communications. However, there is no guarantee that interference will not occur in a particular installation. If this equipment does cause harmful interference to radio or television reception, which can be determined by turning the equipment off and on, the user is encouraged to try to correct the interference by one or more of the following measures:

- Reorient or relocate the receiving antenna.
- Increase the separation between the equipment and receiver.
- Connect the equipment into an outlet on a circuit different from that to which the receiver is connected.
- Consult the dealer or an experienced radio/TV technician for help.

Approved under the verification provision of FCC Part 15 as a Class B Digital Device.

Caution: Changes or modifications not expressly approved by the manufacturer could void the user's authority to operate this device.

THIS CLASS B DIGITAL APPARATUS COMPLIES WITH CANADIAN ICES-003.
CET APPAREIL NUMÉRIQUE DE LA CLASSE B EST CONFORME À LA NORME NMB-003 DU CANADA.

EU COMPLIANCE INFORMATION:

Eligible to bear the CE mark, Conforms to European Union EMC Directive 2004/108/EC.

WEEE NOTICE

Note: This mark applies only to countries within the European Union (EU) and Norway.



This appliance is labeled in accordance with European Directive 2002/96/EC concerning waste electrical and electronic equipment (WEEE). This label indicates that this product should not be disposed of with household waste. It should be deposited at an appropriate facility to enable recovery and recycling.

Figure 1

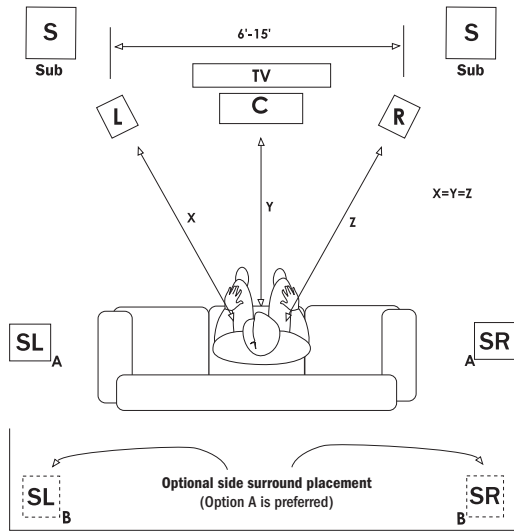


Figure 2

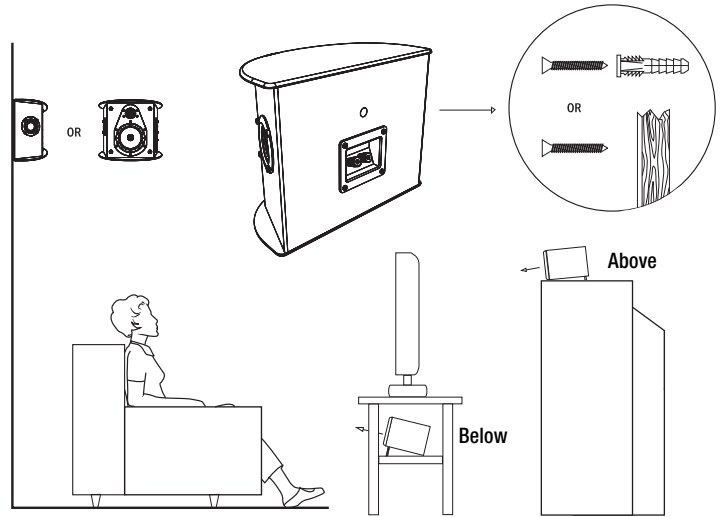


Figure 3 Standard Connections

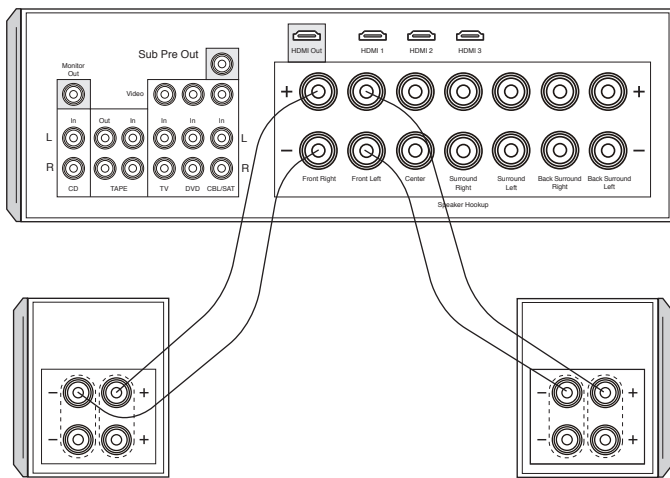


Figure 4

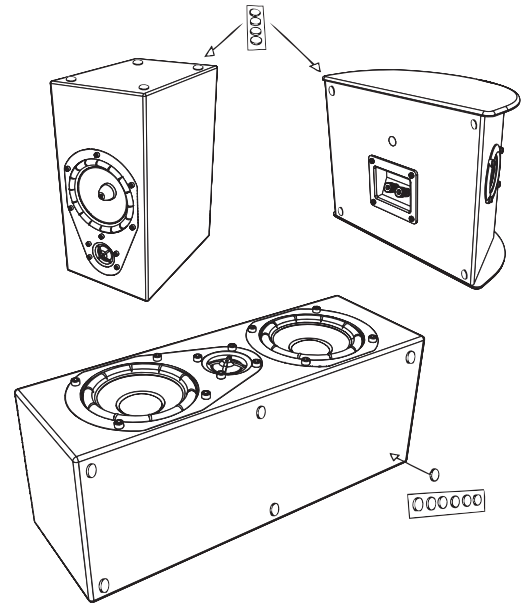


Figure 5

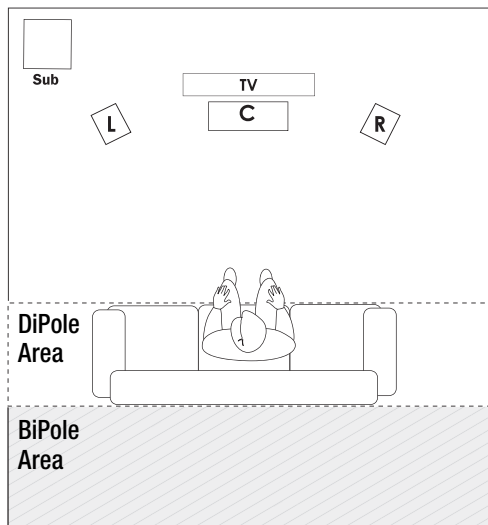
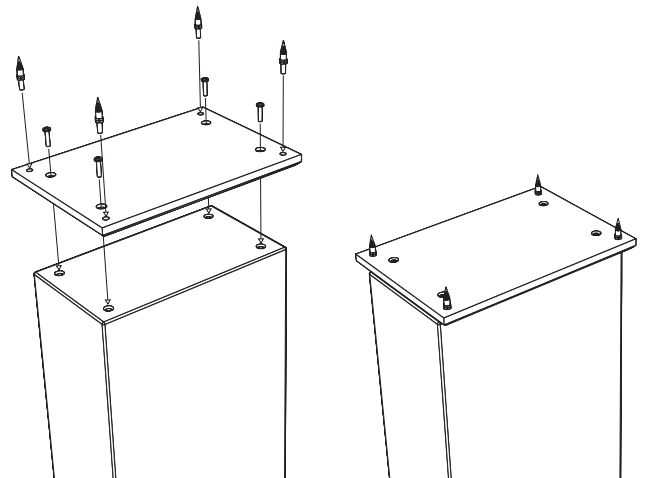


Figure 6



CHINESE - 重要安全信息

1. 阅读本说明书。
2. 保管本说明书。
3. 注意各类警告。
4. 遵循所有使用说明。
5. 不可在水旁使用本设备。
6. 仅可使用干抹布进行清洁。
7. 请勿阻塞通风口。按照制造商的说明进行安装。
8. 本设备禁止安装在热源附近，如散热器、热记录仪、火炉或其它发热设备（包括放大器）。
9. 仅使用制造商指定的附件/配件。
10. 本设备仅可使用制造商指定的，或本设备随配的手推车、支座、三角架、支架或工作台。使用手推车时，在移动载有本设备的手推车时，应小心操作，避免翻倒而受伤。
11. 请勿使本设备受到水的滴溅，并避免在设备上放置如花瓶等装有液体的物体。



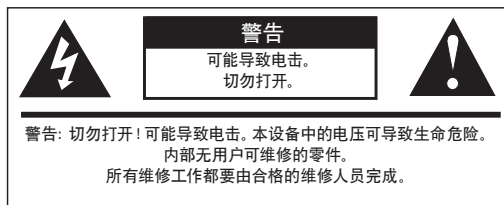
三角形内含感叹号用来提醒用户，产品自带的文件对此有重要的操作和维护（维修）说明。



三角形内含带箭头的闪电用来提醒用户，此产品机壳之中含有无绝缘的“危险电压”，其电压可能足以产生电击。

警告：为了降低火灾或电击的危险，禁止让本设备受到雨淋或受潮。

警告：不得在本产品上放置明火源，如蜡烛等。



扬声器设置

为取得最佳的声音表现，请使用脚锥。在硬木地板上，可能需要使用长钉座。若无法使用长钉，则使用螺纹橡胶缓冲垫支脚。本产品还提供有底座，应该用其来实现最佳的稳定性。

为了将底座安装到音箱的底部，请小心地将扬声器放在音箱的耐磨表面上。在搬运时小心不要刮伤漆面或损坏驱动器。使用音箱底部的螺纹嵌件将安装孔与底座对齐。使用随附的四个安装螺丝将底座安装到音箱上。

将脚锥（带锁紧螺母）完全拧入螺纹嵌件中。将扬声器竖直放置于所需的位置。使用随附的扳手调节长钉高度，以便设备保持水平且稳固（不会摇晃）。接下来，拧紧锁紧螺母，以便将脚锥固定于调节好的位置。（请参见图 6。）

房间放置位置

Veritas 扬声器可在多种地点发挥较佳的性能，但是采用下列原则可实现最佳的效果：

- 左前与右前扬声器（请参见图 1 和 2）。
- 放置于同一墙面上，间距 6-15 英尺。
- 如果采用家庭影院系统，则将扬声器放置于视频显示器的两侧。
- 保持扬声器与后面的墙壁等距。
- 让扬声器距离底面的高度保持一致（非落地式型号），将高频驱动器放置于耳朵的高度。
- 定向扬声器应该朝向听众，与任何附近的障碍物水平或在此之前。
- 将扬声器放置于角落或墙壁附近将提供最大的低音，而将扬声器放置于远离房间边界的位置将会降低低音能量。
- 在邻近的两面边墙旁不对称地放置一对扬声器可抑制房间产生的低音不均匀现象。
- 书架型号可放置于架子上或可选的落地架上。
- 试验上述的原则来满足自己的需求，同时补偿房间的声音特性。

中央声道扬声器（请参见图 1 和 2）。

- 紧挨着放置于视频显示器的上方或下方的中间。
- 将随附的自粘式橡胶垫粘在扬声器的底部。（请参见图 4。）

环绕声道扬声器（请参见图 1 和 2）。

- 置放于收听位置上方约 2 英尺处。（通常这将距离底面大约 5-7 英尺处。）
- 环绕声道扬声器应该直接放置于墙上，临近收听位置。也可选择放置于墙上，但位于收听位置的后面。
- 环绕声道扬声器最终的放置位置取决于房间的特点。

- 使用墙壁安装支架与规格适合的螺丝头连接，螺丝头应该拧入承重适合的墙壁螺栓或墙壁锚栓。（请参见图 2。）
- 如果需要，请联系您的 Energy 经销商寻求其他可调节的墙壁安装件。这些安装件使用位于音箱背面的螺纹套管。
- 全新的 Veritas 环绕声道扬声器具有双极和偶极设置。如果环绕声道扬声器将与您的座位平行，则使用偶极设置。如果环绕声道扬声器放置于其他位置，则使用双极设置。（请参见图 5。）



注意！请勿使用墙壁安装支架来将扬声器安装到天花板！

连接



注意！在进行任何连接之前，请关闭放大器。

扬声器音箱背面配有正极（红色）和负极（黑色）连接端子。这些对应于放大器相应声道（左、右、中央、后等）的正负极端子。

标准连接（请参见图 3。）

- 某些 Veritas 扬声器配有双接线柱，通过金属片连接。请不要拆除这些金属片，否则扬声器将无法正常工作。将这个金属片保持不动，将扬声器的电线连接至接线柱的顶部的一组。如果有两组接线柱，一个扬声器可以连接两根电线。请参阅接收器手册了解更多信息。
- 系统中所有扬声器的连接相位必须确保扬声器正极端子连接到放大器正极端子。对于扬声器负极端子和放大器负极端子执行相同的步骤。大多数的扬声器电线在线芯绝缘包皮上都有区分标记，便于您正确连线。
- 至少使用 16 号（AWG）双绞芯铜线，更长的距离要使用更大的线规。扬声器上的连接端子将能接受裸线、扁形端子或香蕉型插头。
- 使用任意一对正负极端子，保持连接金属片不动。



注意！对于所有连接类型，请确保扬声器和放大器上的正负极端子之间没有任何接触。否则可能会损坏设备！

低音管理

若要在家庭影院系统中使用扬声器，请参阅环绕电子设备的用户手册以了解如何配置低音管理设置。

- 一般来说，紧凑型扬声器（书架式、中央声道和环绕声道）设置为“小”或低音限制设置。
- 落地式扬声器通常设置为“大”或全范围设置。
- 同时请参阅电子设备的说明书来了解如何调节扬声器的相对音量，以便在收听位置能够听到相同水平的音量。

维护与清洁

- 需要偶尔使用湿抹布来为音箱除尘或擦拭。请勿使用研磨性或溶剂型的清洁剂或烈性清洁剂。
- 可使用吸尘器装有软刷来清洁栅格蒙布。
- 请勿在驱动设备（低音喇叭、中音喇叭或高音喇叭）上喷洒光亮剂或清洁剂。

加拿大和美国境外的保修

若此产品售至美国和加拿大以外的国家，其保修需遵守适用的法律。若希望获得适用保修服务，请致电购机经销商，或联系此产品的分销商。

产品注册

访问www.klipsch.com/register在线注册购买的产品

FCC 与加拿大 EMC 合规信息

注: 此设备经过测试, 符合《FCC 规定》的第 15 部分对“B 类”数字设备的限定。制定此类限定旨在对住宅安装的设备提供合理的保护, 避免有害干扰。此设备会产生、使用并能发射射频能量, 如果未按照指示信息安装和使用, 可能对无线电通信造成有害干扰。尽管如此, 不保证具体的安装不会发生干扰。如果本设备对无线电或电视接收造成有害干扰(可通过关闭和打开本设备来判定), 用户可采取以下一项或多项措施来消除干扰:

- 调整接收天线的方向或位置。
- 增加设备与接收机之间的距离。
- 将设备和接收机接到不同线路的插座上。
- 请咨询经销商或经验丰富的无线电/电视技术人员获取帮助。

根据 FCC 第 15 章验证条款, 批准为“B 类”数字设备。

注意: 未经 Klipsch 明确同意做出更改或修改将使用户使用本品的权限失效。

本 B 类数字设备符合加拿大 ICE-003 要求。

EU 合规信息

允许带有 CE 标志, 符合欧盟 EMC 指令 2004/108/EC。

WEEE 注意事项

注: 本标志只适用于欧盟(EU)各国和挪威。



本项标志按照欧洲 2002/96/EC 关于报废电子电气设备 (WEEE) 指令作标记。该标签说明此产品不得与生活垃圾一起处理。应存放于适当的设施内使之能回收及重复利用。

图1

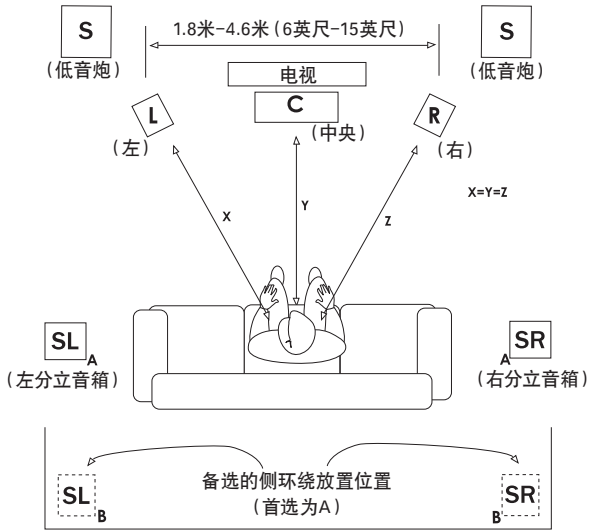


图2

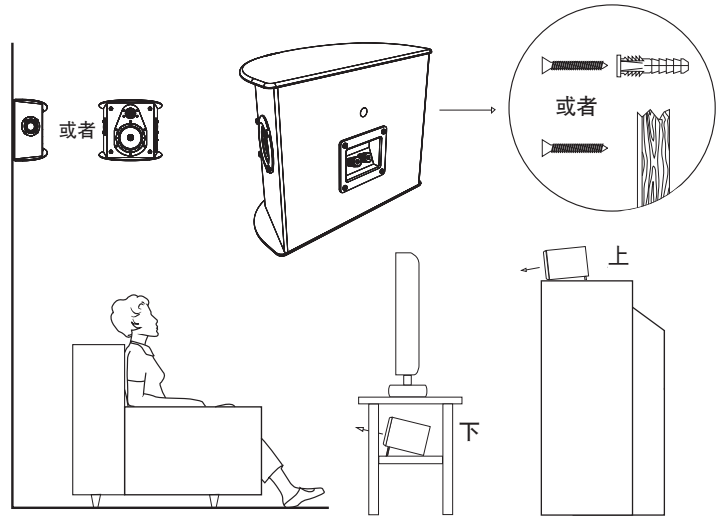


图3 标准连接

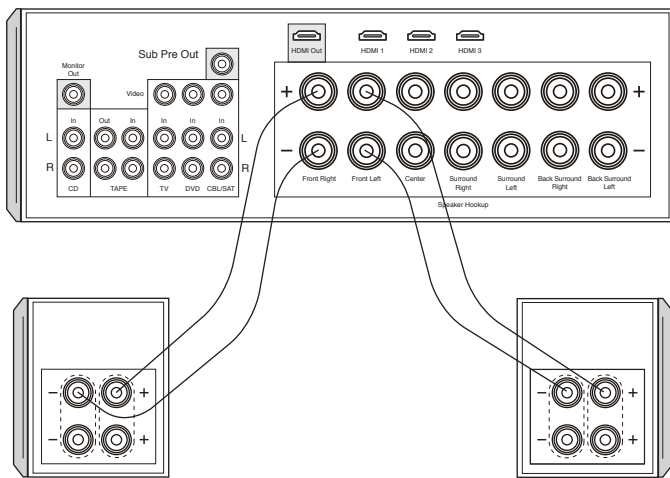


图4

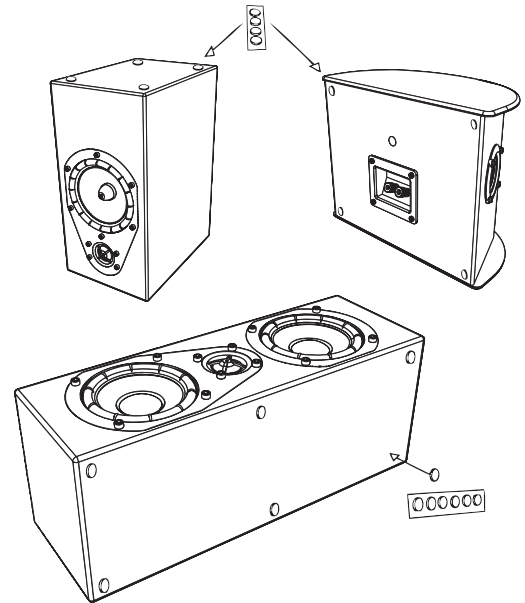


图5

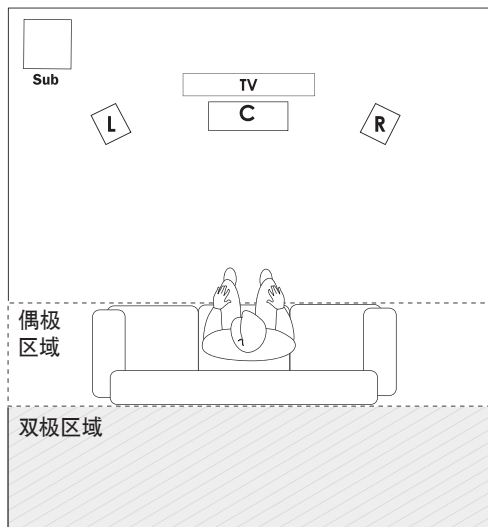
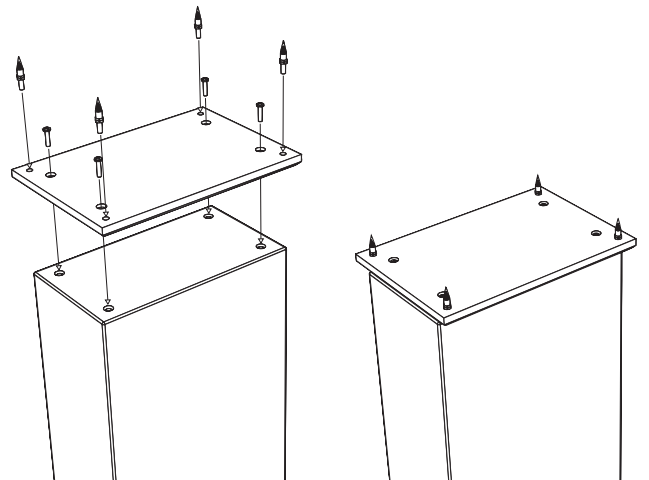


图6



FRENCH - CONSIGNES DE SÉCURITÉ IMPORTANTES

1. LIRE ces instructions.
2. CONSERVER ces instructions.
3. RESPECTER tous les avertissements.
4. SUIVRE toutes les instructions.
5. NE PAS utiliser cet appareil à proximité de l'eau.
6. NETTOYER UNIQUEMENT avec un chiffon sec.
7. NE PAS OBSTRUER les orifices de ventilation. Installer conformément aux instructions du constructeur.
8. Ne pas installer à proximité de sources de chaleur telles que les radiateurs, les grilles de chauffage, les cuisinières et les autres appareils (notamment les amplificateurs) dégagant de la chaleur.
9. UTILISER UNIQUEMENT les accessoires préconisés par le constructeur.
10. UTILISER exclusivement avec un chariot, un support, un trépied, une console ou un bâti recommandé par le fabricant ou vendu avec l'appareil. Lorsqu'un chariot est utilisé, faire preuve de prudence pour déplacer l'ensemble chariot/appareil afin d'éviter un renversement pouvant causer des blessures.
11. NE PAS exposer cet appareil à des éclaboussures ou des égouttements et veiller à ce qu'aucun récipient rempli de liquide, tel qu'un vase, ne soit posé dessus.



Le point d'exclamation contenu dans un triangle équilatéral avertit l'utilisateur de la présence, dans la documentation qui accompagne l'appareil, de consignes d'utilisation et de maintenance importantes.



L'éclair fléché dans un triangle équilatéral avertit l'utilisateur de la présence d'une « tension dangereuse » non isolée à l'intérieur de l'appareil et d'une valeur suffisante pour constituer un risque de choc électrique.

AVERTISSEMENT : Pour réduire les risques d'incendie et d'électrocution, ne pas exposer cet appareil à la pluie ni à l'humidité.

AVERTISSEMENT : Ne pas poser sur ce produit de sources de flammes nues telles que des bougies.



PRÉPARATION DE L'ENCEINTE

Utilisez les pointes de découplage afin d'optimiser les performances acoustiques. Sur un sol dur, vous pouvez utiliser les coupelles de pointes de découplage. S'il n'est pas pratique d'utiliser les pointes, vissez les pieds à patins en caoutchouc. Utilisez la plinthe fournie avec ce produit pour optimiser la stabilité. Pour fixer la plinthe à la base de l'enceinte, renversez l'enceinte avec précaution et posez-la sur une surface lisse. En manipulant l'enceinte, veillez à ne pas rayer le fini élégant et à ne pas endommager les haut-parleurs. Alignez les trous de montage de la plinthe sur les douilles taraudées à la base de l'enceinte. Fixez la plinthe à l'enceinte à l'aide des quatre vis de montage fournies.

Vissez complètement les pointes de découplage (avec les écrous de blocage) dans les douilles taraudées. Placez l'enceinte debout à l'endroit voulu. À l'aide de la clé fournie, réglez la hauteur des pointes pour que l'enceinte soit de niveau et stable (sans mouvement de bascule). Serrez ensuite les écrous de blocage pour immobiliser les pointes de découplage selon le réglage effectué. (Voir la figure 6.)

PLACEMENT DANS LA PIÈCE

Les enceintes Veritas offrent un bon fonctionnement dans diverses configurations ; toutefois, l'observation des directives ci-dessous permet d'obtenir les meilleurs résultats :

ENCEINTES AVANT GAUCHE ET DROITE (voir les figures 1 et 2)

- Placez-les enceintes le long du même mur, espacées de 1,8 à 4,6 mètres.
- En cas d'utilisation dans un système de cinéma à domicile, mettez les enceintes à côté de l'écran.
- Placez-les à égale distance du mur arrière.

- Placez-les à la même hauteur par rapport au sol (pour les modèles sans piétement), avec les haut-parleurs d'aigus à la hauteur d'oreille d'un auditeur assis.
- Orientez les enceintes vers la position d'écoute et mettez-les de niveau ou à l'avant par rapport à tout obstacle adjacent.
- Placées près d'un coin ou d'un mur, les enceintes produisent le niveau de graves le plus élevé, tandis que l'énergie des graves est réduite lorsque les enceintes sont éloignées des cloisons de la pièce.
- Le placement asymétrique d'une paire d'enceintes par rapport aux murs latéraux adjacents peut atténuer les inégalités induites par la pièce dans les graves.
- Les modèles de bibliothèque peuvent être placés sur des étagères ou sur des socles en option.
- Suivez les conseils ci-dessus de façon à obtenir un résultat qui vous soit agréable et compenser les caractéristiques acoustiques de la pièce.

Enceintes de canal central (voir les figures 1 et 2)

- Placez l'enceinte juste au-dessus ou au-dessous de la partie centrale de l'écran.
- Collez sous l'enceinte les patins autocollants en caoutchouc fournis. (Voir la figure 4.)

Enceintes ambiophoniques (voir les figures 1 et 2)

- Placez les enceintes à environ 60 cm au dessus de la hauteur d'oreille d'un auditeur assis (ce qui correspond généralement à une hauteur comprise entre 1,5 et 2,15 mètres au-dessus du sol).
- Les enceintes ambiophoniques doivent être placées sur les murs directement adjacents à la position d'écoute. Il est également possible de les installer sur le mur derrière la position d'écoute.
- Le placement final des enceintes ambiophoniques dépend des caractéristiques de la pièce.
- À l'aide du support mural fourni, accrochez l'enceinte sur une vis insérée dans un poteau mural ou un ancrage de cloison sèche ayant la capacité de charge requise. (Voir la figure 2.)
- Au besoin, consultez le revendeur Energy pour obtenir les supports de montage mural réglables en option. Ces supports de montage utilisent les bagues taraudées situées à l'arrière du caisson.
- Les nouvelles enceintes ambiophonique Veritas offrent des réglages bipolaires et dipolaires. Si les enceintes ambiophoniques sont placées parallèlement à la zone d'écoute, utilisez le réglage dipolaire. Si elles sont placées autrement, utilisez le réglage bipolaire. (Voir la figure 5.)



ATTENTION ! N'utilisez jamais le support de montage fourni pour accrocher l'enceinte au plafond.

RACCORDEMENT



ATTENTION ! Avant tout raccordement, mettez l'amplificateur hors tension.

Les enceintes sont pourvues de bornes de raccordement positives (rouges) et négatives (noires) placées à l'arrière. Elles correspondent aux bornes positive et négative du canal correspondant (gauche, droit, central, arrière, etc.) de l'amplificateur.

Raccordement standard (voir la figure 3)

- Certaines enceintes de la gamme Veritas sont fournies avec, pour chaque polarité, deux bornes de raccordement reliées par une barrette métallique. Ne retirez pas cette barrette car elle est nécessaire pour que les enceintes fonctionnent correctement. Laissez cette barrette en place et branchez le fil de l'enceinte à la borne de raccordement supérieure. Il est possible de « bi-câbler » une enceinte ayant deux jeux de bornes de raccordement. Veuillez consulter le manuel de votre récepteur pour des instructions détaillées.
- Toutes les enceintes du système doivent être raccordées en phase, la borne positive de chaque enceinte étant raccordée à la borne positive de l'amplificateur.

Procédez de la même façon avec les bornes négatives de l'enceinte et de l'amplificateur. Sur la plupart des câbles d'enceintes, des repères portés sur l'isolant de l'un des conducteurs facilitent le bon raccordement.

- Utilisez du câble de cuivre à deux conducteurs de 1,3 mm² (calibre 16 AWG) minimum, et de plus grosse section pour les grandes longueurs. Les bornes de l'enceinte permettent le raccordement de fils nus, de cosses à fourche et de fiches banane.
- Utilisez l'une des deux paires de bornes positive et négative et laissez les barrettes métalliques de couplage en place.



ATTENTION ! Quel que soit le type de raccordement, assurez-vous de l'absence de contact entre les polarités positive et négative au niveau de l'enceinte et de l'amplificateur. Un tel contact risque d'endommager le matériel !

Gestion des graves

Pour une utilisation des enceintes dans un système de cinéma à domicile, consultez le manuel d'utilisation de l'électronique ambiophonique pour connaître les bons réglages de gestion des graves.

- En règle générale, pour les enceintes compactes (bibliothèque, canal central et ambiophonique), on utilise le réglage « Small », limitation des graves.
- Pour les enceintes à piétement, on utilise en général le réglage pleine gamme « Large ».
- Consultez également les instructions des appareils électroniques pour équilibrer les niveaux relatifs de volume des enceintes afin qu'ils soient placés au même niveau par rapport à la position d'écoute principale.

ENTRETIEN ET NETTOYAGE

- Le seul entretien requis est l'époussetage ou l'essuyage occasionnel de l'ébénisterie à l'aide d'un tissu humidifié. N'utilisez jamais de produits de nettoyage abrasifs ou à base de solvant ni de détergents puissants.
- Le nettoyage de la toile de la grille peut être effectué à l'aide d'un aspirateur muni d'une brosse souple.
- Ne pulvérisez jamais de produit de nettoyage ou de finition sur les haut-parleurs (graves, médium-graves ou aigus).

GARANTIE – ÉTATS-UNIS ET CANADA

Energy garantit à l'acheteur original ce produit, à condition qu'il ait été correctement utilisé et entretenu, contre tous vices de matériaux et de main d'œuvre pendant une période de cinq ans à compter de la date d'achat. Si ce produit s'avère défectueux en termes de pièces ou de main d'œuvre, Energy, à sa discrétion, (a) réparera le produit, ou (b) remplacera le produit sans facturer les pièces ni la main d'œuvre. Si ce modèle de produit n'est plus disponible et ne peut pas être efficacement réparé ni remplacé par un modèle identique, Energy pourra, à sa seule discrétion, remplacer l'appareil par un modèle plus récent de valeur identique ou supérieure. Dans certains cas, la substitution par un nouveau modèle pourra nécessiter la modification de la surface de montage. Energy décline toute responsabilité pour une telle modification. Pour obtenir une réparation ou un remplacement au titre de la présente garantie, veuillez d'abord prendre contact avec le revendeur, dans la mesure du possible. Il vous sera alors indiqué comment procéder pour une réparation ou un remplacement. Vous devrez fournir une copie de la facture d'origine.

Limitations :

- Cette garantie limitée ne couvre pas la défaillance du produit résultant d'une mauvaise installation, d'un usage abusif ou incorrect, d'un accident, de négligence, d'une mauvaise manipulation, d'usure résultant de l'usage normal ou de détérioration due aux conditions ambiantes.
- Cette garantie limitée ne couvre pas les dommages esthétiques, notamment l'endommagement de la peinture, ni les dommages indirects à

d'autres composants ou aux locaux résultant, quelle qu'en soit la raison, de la défaillance du produit.

- Cette garantie limitée est nulle et non avenue pour les produits n'ayant pas été utilisés conformément aux instructions d'Energy.
- Cette garantie limitée est nulle et non avenue pour les produits modifiés ou dont le numéro de série est absent, ainsi que pour les produits non achetés auprès d'un détaillant agréé.
- Cette garantie limitée prend fin en cas de vente ou de cession du produit à un tiers.

CETTE GARANTIE DONNE À L'ACHETEUR DES DROITS SPÉCIFIQUES. CELUI-CI PEUT ÉGALEMENT BÉNÉFICIER D'AUTRES DROITS QUI VARIENT SELON LES ÉTATS OU PROVINCES, LES JURIDICTIONS ET LES PAYS. LA RESPONSABILITÉ D'ENERGY EN CAS DE MAUVAIS FONCTIONNEMENT OU DE DÉFAILLANCE DU MATÉRIEL EST LIMITÉE AU REMPLACEMENT OU À LA RÉPARATION DE CELUI-CI DANS LES CONDITIONS ÉTABLIES PAR CETTE DÉCLARATION DE GARANTIE. POUR LES CLIENTS CANADIENS, ENERGY REFUSE POUR LE PRODUIT TOUTE AUTRE GARANTIE OU CONDITION, EXPLICITE OU IMPLICITE, LÉGALE OU AUTRE. POUR LES CLIENTS DES ÉTATS-UNIS, TOUTES LES GARANTIES EXPRESSES ET IMPLICITES RELATIVES AU PRODUIT, Y COMPRIS, MAIS NON EXCLUSIVEMENT, TOUTE GARANTIE IMPLICITE DE VALEUR MARCHANDE OU D'ADÉQUATION A UN USAGE PARTICULIER, SONT LIMITÉES À LA PÉRIODE DE CETTE GARANTIE. CERTAINS ÉTATS, PROVINCES, JURIDICTIONS OU PAYS NE PERMETTANT PAS L'EXCLUSION DE CERTAINES CONDITIONS OU GARANTIES IMPLICITES, OU LA LIMITATION DE DURÉE DES CONDITIONS OU GARANTIES IMPLICITES, LES LIMITATIONS CI-DESSUS PEUVENT NE PAS ÊTRE APPLICABLES. ENERGY DÉCLINE TOUTE RESPONSABILITÉ POUR LES DOMMAGES PARTICULIERS, INDIRECTS, CONSÉCUTIFS OU ACCESSOIRES, Y COMPRIS MAIS SANS S'Y LIMITER, TOUTE RESPONSABILITÉ POUR LES PLAINTES CONTRE VOUS PAR DES TIERS POUR DOMMAGES OU NON-DISPONIBILITÉ DES PRODUITS POUR L'UTILISATEUR. LA RESPONSABILITÉ MAXIMALE D'ENERGY NE DÉPASSERA PAS LE MONTANT PAYÉ POUR LE PRODUIT OBJET DE LA PLAINTÉ. CERTAINS ÉTATS, PROVINCES, JURIDICTIONS OU PAYS NE PERMETTANT L'EXCLUSION OU LA LIMITATION DES DOMMAGES PARTICULIERS, INDIRECTS, ACCIDENTELS OU CONSÉCUTIFS, LES RESTRICTIONS CI-DESSOUS PEUVENT NE PAS ÊTRE APPLICABLES.

GARANTIE EN DEHORS DES ÉTATS-UNIS ET DU CANADA

Si ce produit est vendu dans un pays autre que les États-Unis ou le Canada, la garantie doit être conforme aux lois en vigueur. Pour bénéficier de toute intervention sous garantie applicable, contactez le vendeur auprès duquel le produit a été acheté ou le distributeur l'ayant fourni.

ENREGISTREMENT DU PRODUIT

L'enregistrement des enceintes Energy peut être effectué à energy-speakers.com/register

INFORMATIONS DE CONFORMITÉ FCC ET CEM CANADA :

REMARQUE : Cet appareil a été testé et reconnu compatible avec les limites des appareils numériques de classe B, en application de la section 15 des règles de la FCC. Ces limites ont été établies de façon à offrir une protection raisonnable contre les interférences nuisibles dans les installations résidentielles. Ce matériel génère, utilise et peut émettre des radio-fréquences et, s'il n'est pas installé et utilisé en accord avec les directives fournies, peut provoquer des interférences avec les communications radio. Il est toutefois impossible de garantir que des interférences ne se produiront pas dans une installation donnée. Si cet appareil entraîne des interférences nuisibles à la réception des programmes de radio ou de télévision, ce qui peut se vérifier en le mettant hors tension puis de nouveau sous tension, l'utilisateur peut prendre les mesures suivantes pour essayer de corriger les interférences :

- réorientation ou déplacement de l'antenne de réception ;
- augmentation de la distance entre l'appareil et le récepteur ;
- branchement de l'appareil sur une prise de courant reliée à un circuit électrique différent de celui du récepteur ;
- consulter le détaillant ou un technicien radio/TV compétent sur ce sujet.

Homologation comme appareil numérique de classe B au titre des modalités de vérification FCC section 15.

Attention : Les changements ou modifications non expressément approuvés par le fabricant peuvent annuler le droit de l'utilisateur à utiliser cet appareil.

CET APPAREIL NUMÉRIQUE DE CLASSE B EST CONFORME À LA NORME CANADIENNE ICES-003.

INFORMATIONS DE CONFORMITÉ UE :

Autorisation de porter la marque CE, conformité aux directives de l'Union européenne CEM 2004/108/CE.

AVIS WEEE

Remarque : Cette marque n'est applicable qu'aux pays de l'Union Européenne (EU) et à la Norvège.



Cet appareil est étiqueté conformément à la directive européenne 2002/96/CE relative à la gestion des déchets d'équipements électriques et électroniques (DEEE). Cette étiquette indique que ce produit ne doit pas être jeté avec les ordures ménagères. Il faut le déposer dans une déchèterie adéquate permettant la récupération et le recyclage.

Figure 1

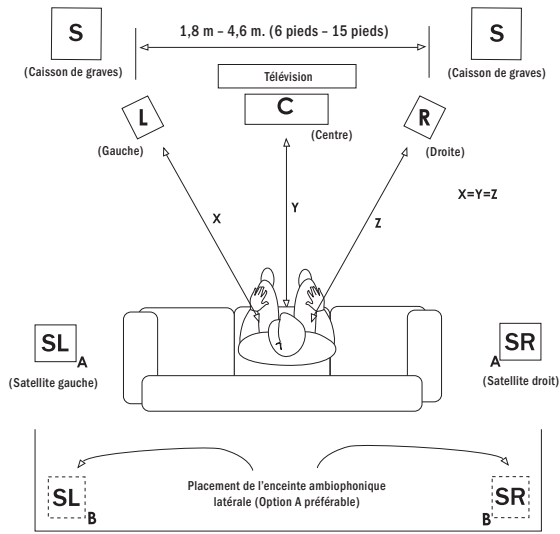


Figure 2

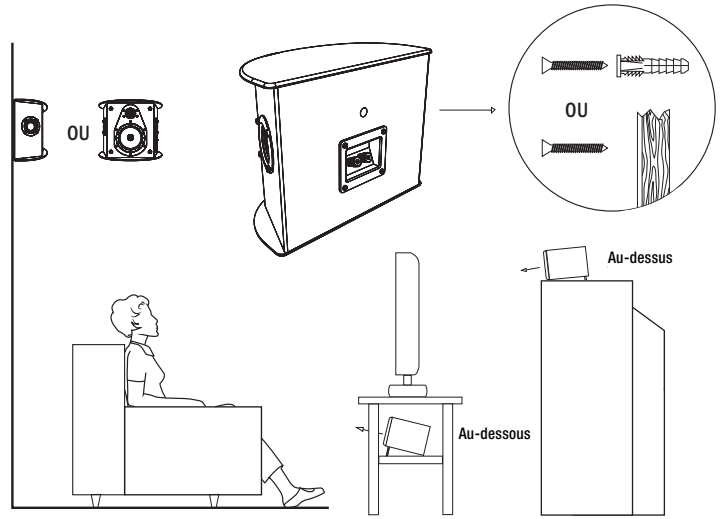


Figure 3 Raccordements standard

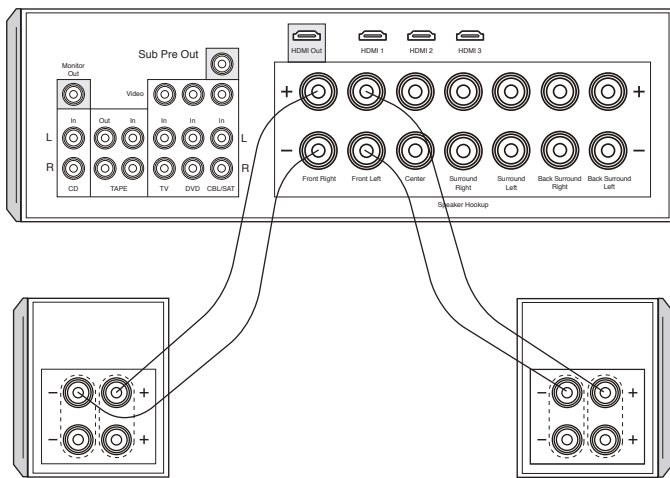


Figure 4

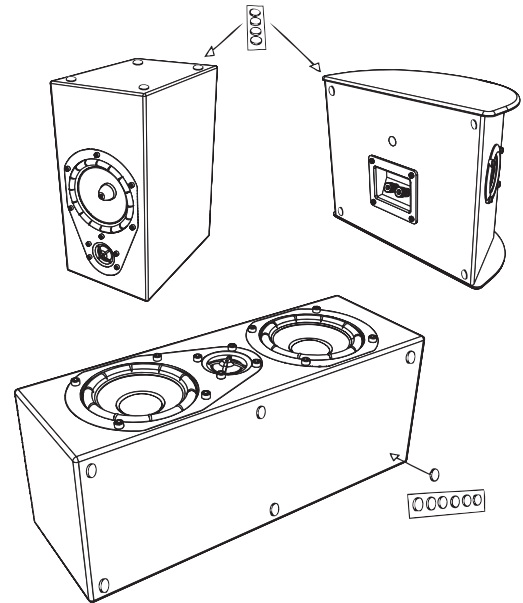


Figure 5

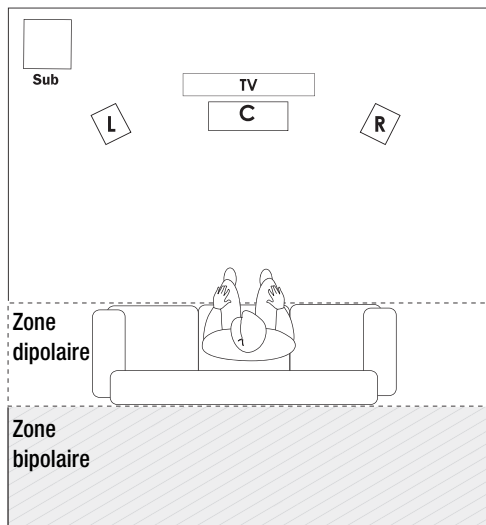
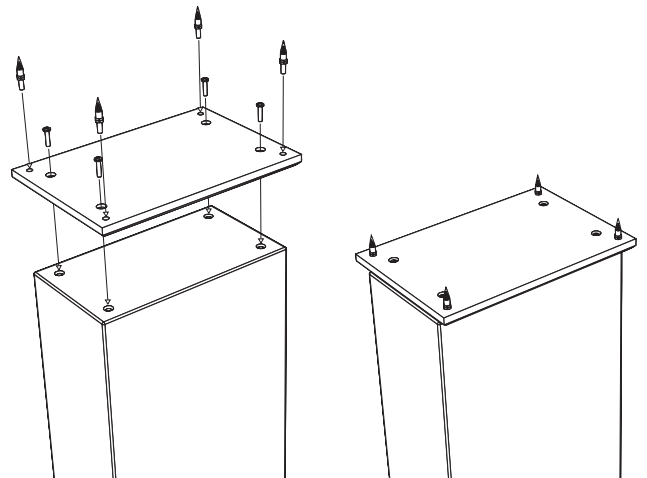



Figure 6



GERMAN - WICHTIGE SICHERHEITSHINWEISE

1. LESEN Sie diese Anweisungen durch.
2. BEHALTEN Sie diese Anweisungen.
3. BEACHTEN Sie alle Warnhinweise.
4. FOLGEN Sie allen Anleitungen.
5. Verwenden Sie diese Geräte NICHT in der Nähe von Wasser.
6. Reinigen Sie sie NUR mit einem trockenen Tuch.
7. Blockieren Sie KEINE Lüftungsöffnungen. Installieren Sie die Geräte entsprechend den Herstelleranweisungen.
8. Installieren Sie sie nicht in der Nähe von Wärmequellen wie Heizkörpern, Warmlufteintrittsöffnungen, Öfen oder anderen wärmeerzeugenden Geräten (einschließlich Verstärkern).
9. Verwenden Sie AUSSCHLIESSLICH vom Hersteller empfohlene Zusatzgeräte/Zubehör.
10. VERWENDEN Sie ausschließlich Wagen, Stände, Stative, Halterungen oder Tische, die vom Hersteller empfohlen oder mit dem Gerät verkauft wurden. Bei Verwendung eines Wagens sollten Sie vorsichtig sein, damit Wagen und Gerät nicht umkippen und Verletzungen verursachen. 
11. Das Gerät darf KEINEN tropfenden oder spritzenden Flüssigkeiten ausgesetzt werden, und mit Flüssigkeit gefüllte Objekte (wie Blumenvasen) dürfen nicht auf dem Gerät platziert werden.



Ein Dreieck mit einem Ausrufezeichen in der Mitte soll Benutzer auf wichtige Hinweise zur Bedienung und Wartung des Geräts aufmerksam machen, die in der beiliegenden Dokumentation enthalten sind.



Durch das Blitzsymbol in einem gleichseitigen Dreieck soll der Benutzer gewarnt werden, dass bei mangelnder Isolierung „lebensgefährliche Spannungen“ auftreten können, die eine erhebliche Stromschlaggefahr darstellen.

WARNUNG: Um die Gefahr eines Feuers oder Stromschlags zu verringern, ist dieses Gerät vor Regen oder Feuchtigkeit zu schützen.

WARNUNG: Auf dem Produkt dürfen keine Flammenquellen, wie Kerzen, platziert werden.



LAUTSPRECHERVORBEREITUNG

Verwenden Sie die Spikes, um eine optimale akustische Leistung zu gewährleisten. Auf harten Böden können die Spikeabdeckungen verwendet werden. Wenn die Verwendung von Spikes nicht empfehlenswert ist, sollten Sie die Gummifüßchen mit Gewindeöffnung verwenden. Der mitgelieferte Sockel sollte verwendet werden, um eine optimale Stabilität zu gewährleisten.

Um den Sockel am Gehäuse zu befestigen, stellen Sie den Lautsprecher vorsichtig umgekehrt auf eine abriebfeste Oberfläche. Achten Sie darauf, dass Sie dabei den Glanzlack nicht zerkratzen oder die Treiber beschädigen. Richten Sie die Montagelöcher im Sockel an den Gewindelöchern an der Unterseite des Gehäuses aus. Befestigen Sie den Sockel mit den vier mitgelieferten Schrauben am Gehäuse.

Schrauben Sie die Spikefüßchen (mit den Kontermuttern) ganz in die Gewindelöcher. Stellen Sie den Lautsprecher an der gewünschten Stelle auf. Stellen Sie die Höhe der Spikes mit dem mitgelieferten Schraubenschlüssel so ein, dass der Lautsprecher waagrecht und stabil steht und nicht wackelt. Ziehen Sie dann die Kontermuttern fest, um die Spikes in dieser Position zu arretieren. (Siehe Abbildung 6.)

AUFSTELLUNG IM RAUM

Ihre Veritas-Lautsprecher bieten in verschiedenen Positionen gute Leistung, aber wenn Sie folgende Richtlinien beachten, optimieren Sie die Ergebnisse:

Vordere linke und rechte Lautsprecher (siehe Abb. 1 und 2)

- Sollten mit 2 bis 4,5 m Abstand entlang einer Wand aufgestellt werden.
- Beim Einsatz in einem Heimkinosystem sollten Sie die Lautsprecher rechts und links vom Monitor aufstellen.
- Im gleichen Abstand von der hinteren Wand aufstellen.
- Platzieren Sie sie auf der gleichen Höhe über dem Boden (falls es sich nicht um Standlautsprecher handelt), wobei die Hochtöner auf Ohrhöhe sein sollten.
- Lautsprecher auf den Zuhörer hin abwinkeln und bündig mit oder vor benachbarten Hindernissen platzieren.
- Wenn Sie die Lautsprecher in der Nähe einer Ecke oder einer Wand aufstellen, steigert dies die Bassleistung, während eine Aufstellung von den Raumgrenzen entfernt die Bassleistung senkt.
- Eine asymmetrische Aufstellung des Lautsprecherpaars an benachbarten Wänden kann durch den Raum verursachte Bassungleichmäßigkeiten reduzieren.
- Regallautsprecher können auf Regalen oder optionalen Ständern platziert werden.
- Experimentieren Sie mit diesen Richtlinien, um sie an Ihren Geschmack und an Ihre Raumakustik anzupassen.

Center-Kanal-Lautsprecher (siehe Abb. 1 und 2)

- Platzieren Sie ihn direkt über oder unter der Mitte Ihres Videomonitors.
- Bringen Sie die mitgelieferten selbstklebenden Gummifüßchen unten am Lautsprecher an. (Siehe Abbildung 4.)

Surroundkanal-Lautsprecher (siehe Abb. 1 und 2)

- Platzieren Sie ihn ca. 60 cm über der Hörposition. (Normalerweise ist das 1,5-2 m über dem Boden).
- Die Surround-Lautsprecher sollten an Wänden und in unmittelbarer Nähe der Hörposition platziert werden. Eine weitere Option wäre die Wand hinter der Hörposition.
- Letztlich hängt die Platzierung des Surround-Lautsprechers von den Eigenschaften Ihres Raums ab.
- Befestigen Sie die Wandhalterung mit einer passend großen Schraube am Haken, die in ein Ständerprofil geschraubt wird, oder verwenden Sie einen Dübel mit entsprechender Tragfähigkeit. (Siehe Abbildung 2.)
- Ihr Energy-Händler bietet ggf. optionale, verstellbare Wandhalterungen an. Diese Halterungen verwenden die Gewinde auf der Gehäuserückseite.
- Die neuen Veritas-Surround-Lautsprecher verfügen über Bipol- und Dipol-Einstellungen. Wenn die Surround-Lautsprecher parallel zum Sitzbereich platziert werden, verwenden Sie die Dipol-Einstellung. Wenn die Surround-Lautsprecher anderswo platziert werden, wählen Sie die Bipol-Einstellung. (Siehe Abbildung 5.)



VORSICHT! Verwenden Sie nie eine Wandhalterung zur Befestigung des Lautsprechers an der Decke.

ANSCHLUSS



VORSICHT! Schalten Sie vor der Herstellung von Anschlüssen den Verstärker aus.

Ihre Lautsprecher verfügen über positive (rote) und negative (schwarze) Anschlussterminals an der Rückseite des Gehäuses. Diese entsprechen den positiven und negativen Terminals am jeweiligen Kanal (links, rechts, Mitte, hinten etc.) Ihres Verstärkers.

Standardanschlüsse (siehe Abb. 3)

- Einige Veritas-Lautsprecher verfügen über doppelte Anschlussterminals, die mit einem Metallstreifen verbunden sind. Entfernen Sie diesen Streifen nicht, da ansonsten Ihre Lautsprecher nicht mehr richtig funktionieren. Lassen Sie den Streifen an Ort und Stelle und schließen Sie Ihr Lautsprecherkabel an die oberen Anschlussterminals an. Bei Lautsprechern mit zwei Sets

von Anschluss terminals ist eine sogenannte Bi-Wiring-Verbindung möglich. Weitere Anleitungen hierzu finden Sie in der Dokumentation Ihres Receivers.

- Alle Lautsprecher in Ihrem System müssen richtig gepolt angeschlossen sein, so dass positive Lautsprecher terminals mit positiven Verstärker terminals verbunden sind. Wiederholen Sie dies bei den negativen Lautsprecher- und Verstärker terminals. Die meisten Lautsprecherkabel haben Markierungen an der Isolierung einer der Leiter, die Ihnen beim Anschluss helfen.
- Verwenden Sie mindestens 16-Gauge-Kupferdraht (AWG) mit zwei Leitern und Draht mit einem höheren Gauge-Wert für längere Strecken. An die Terminals Ihres Lautsprechers können Anschlüsse mit blankem Draht, Gabelschuhen oder Bananensteckern vorgenommen werden.
- Verwenden Sie eines der positiven oder negativen Terminalpaare und entfernen Sie die verbindenden Metallstreifen nicht.



VORSICHT! Passen Sie bei allen Anschlusstypen auf, dass kein Kontakt zwischen den positiven und negativen Terminals am Lautsprecher bzw. Verstärker vorhanden ist. Ansonsten kann es zu Schäden am Gerät kommen!

Bass-Management

- Wenn Sie Ihre Lautsprecher in einem Heimkinosystem verwenden, sollten Sie im Handbuch des Surround-Elektronikgeräts nachsehen, wie Sie die Basseinstellungen richtig wählen.
- Generell sollten kompakte Lautsprecher (Regal-, Center- und Surround-Lautsprecher) auf „Small“ oder begrenzten Bass eingestellt werden.
- Standlautsprecher werden meist auf „Large“ (Vollbereich) eingestellt.
- Sehen Sie auch in der Gerätedokumentation nach, wie Sie die relativen Lautstärkepegel für die Lautsprecher einstellen müssen, so dass sie von der Hörposition aus gleich laut klingen.

PFLEGE UND REINIGUNG

- Sie müssen das Gehäuse nur gelegentlich mit einem feuchten Tuch abstauben oder abwischen. Verwenden Sie keine Scheuer- oder Lösungsmittel oder scharfen Reinigungsmittel.
- Sie können den Lautsprechergrill mit dem weichen Bürstenaufsatz eines Staubsaugers reinigen.
- Sprühen Sie nie Politur oder Reinigungsmittel auf die Treibereinheiten (Tief-, Mittel- und Hochtöner).

GARANTIE AUSSERHALB DER USA UND KANADAS

Wenn dieses Produkt an einen Käufer außerhalb der USA und Kanadas verkauft wird, richten sich die Garantieansprüche nach den jeweiligen gesetzlichen Bestimmungen. Um Garantieleistungen zu beanspruchen, wenden Sie sich bitte an den Fachhändler, der dieses Produkt verkauft hat, oder den Vertrieb.

PRODUKTREGISTRIERUNG

Registrieren Sie Ihre Energy-Lautsprecher bei energy-speakers.com/register

ELEKTROMAGNETISCHE VERTRÄGLICHKEIT (FCC UND KANADA)

HINWEIS: Dieses Gerät wurde geprüft und entspricht demnach den Grenzwerten für ein digitales Gerät der Klasse B gemäß Teil 15 der Richtlinien der US-Fernmeldebehörde (FCC). Diese Grenzwerte sollen einen angemessenen Schutz gegen störende Interferenzen bei Installationen in Wohngebieten bieten. Dieses Gerät erzeugt und verwendet HF-Energie und kann diese ausstrahlen; wenn es nicht gemäß den Anweisungen installiert und verwendet wird, kann es störende Interferenzen mit dem Funkverkehr verursachen. Allerdings wird nicht gewährleistet, dass es bei einer bestimmten Installation keine Interferenzen geben wird. Wenn dieses Gerät störende Interferenzen zum Radio- und Fernsehempfang verursacht, (was durch Aus- und Einschalten des Geräts festgestellt werden kann), wird dem Benutzer nahegelegt, die Interferenz durch eines oder mehrere der folgenden Verfahren zu beheben: This limited warranty

does not cover failure of the product resulting from improper installation, misuse, abuse, accident, neglect, mishandling or wear from ordinary use or environmental deterioration.

- Die Empfangsantenne anders ausrichten oder anderswo platzieren.
- Den Abstand zwischen dem Gerät und dem Empfänger vergrößern.
- Das Gerät in eine Steckdose eines Netzkreises einstecken, der nicht mit dem des Empfängers identisch ist.
- Den Händler oder einen erfahrenen Radio- und Fernstechniker zu Rate ziehen.

Entsprechend den Prüfbestimmungen von FCC Part 15 als digitales Gerät der Klasse B genehmigt.

Vorsicht: Vom Hersteller nicht ausdrücklich genehmigte Änderungen oder Modifikationen können das Recht des Benutzers auf Betrieb des Geräts außer Kraft setzen.

DIESES DIGITALGERÄT DER KLASSE B ENTSPRICHT DER KANADISCHEN NORM ICES-003.

EINHALTUNG VON EU-RICHTLINIEN:

Darf das CE-Zeichen führen. Entspricht der EU-Richtlinie 2004/108/EC.

WEEE-Hinweis

Hinweis: Dieses Zeichen gilt nur für Länder innerhalb der europäischen Union (EU) und Norwegen.



Diese Anwendung ist entsprechend der europäischen Richtlinie 2002/96/EC über Elektro- und Elektronik-Altgeräte (WEEE) ausgezeichnet. Dieses Etikett zeigt an, dass das Produkt nicht mit dem Hausmüll entsorgt werden darf. Es sollte an einer dafür vorgesehenen Einrichtung abgeliefert werden, um Wiederverwendung und Recycling zu ermöglichen.

Abbildung 1

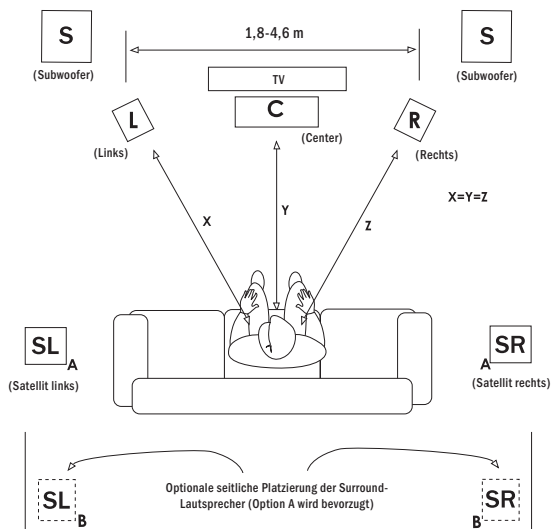


Abbildung 2

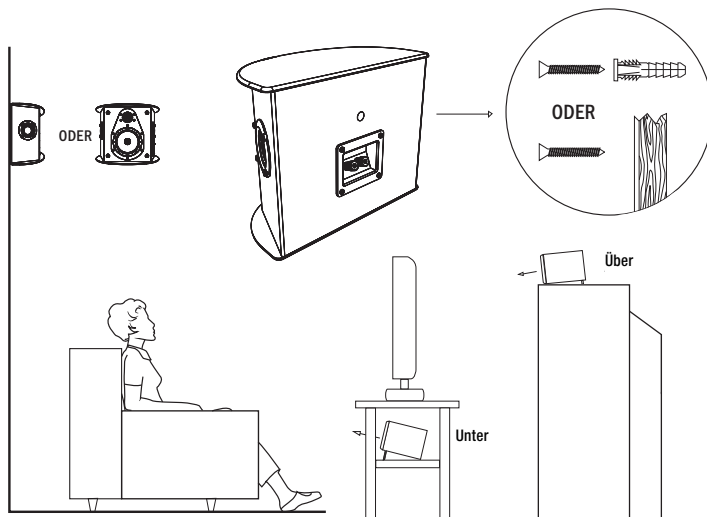


Abbildung 3 Standardanschlüsse

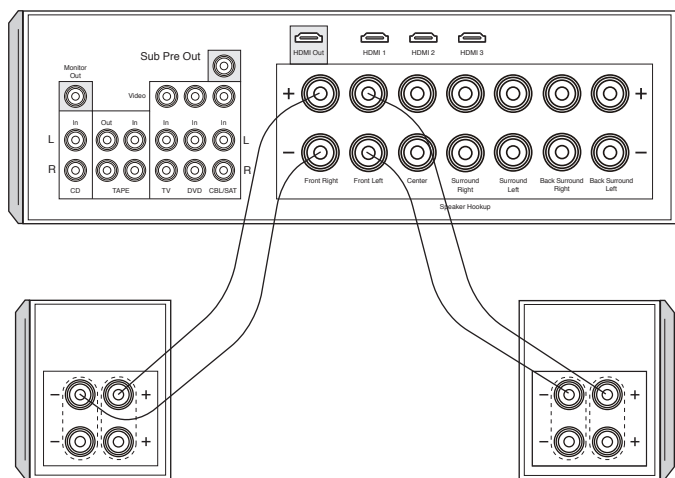


Abbildung 4

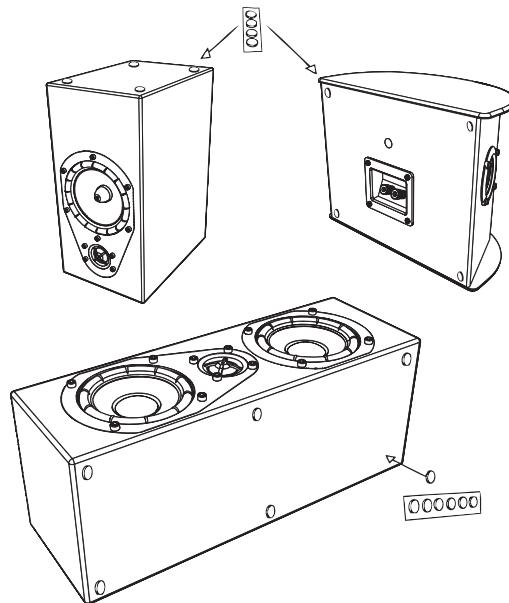


Abbildung 5

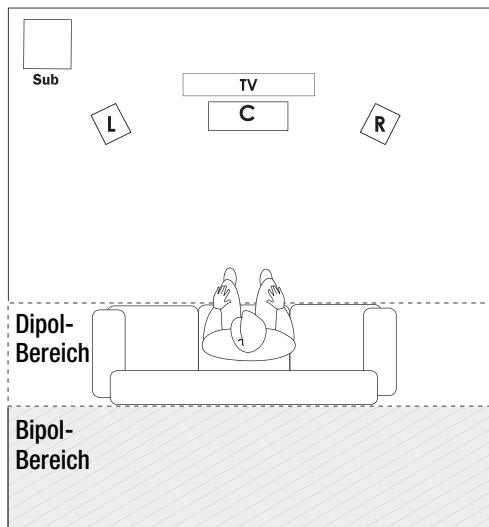
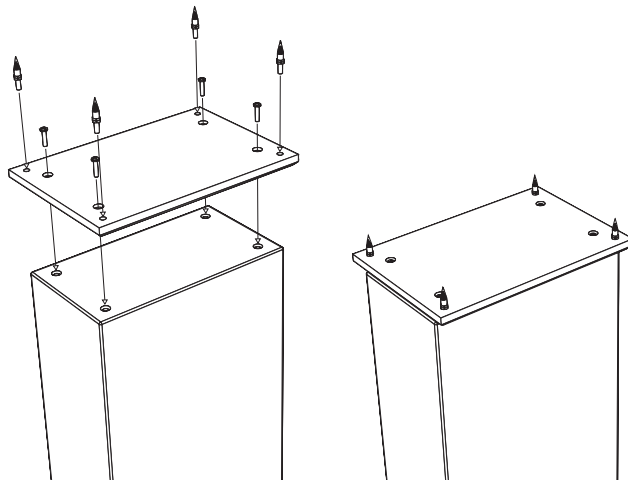



Abbildung 6



PORTUGUESE - INFORMAÇÕES IMPORTANTES DE SEGURANÇA

1. LEIA estas instruções.
2. GUARDE estas instruções.
3. FIQUE ATENTO a todos os avisos.
4. SIGA todas as instruções.
5. NÃO use este aparelho perto de água.
6. LIMPE APENAS com um pano seco.
7. NÃO bloqueie nenhuma abertura de ventilação. Instale de acordo com as instruções do fabricante.
8. Não instale próximo de quaisquer fontes de calor, tais como radiadores, saídas de ar quente, fogões ou outros aparelhos (incluindo amplificadores) que produzam calor.
9. USE APENAS acessórios especificados pelo fabricante.
10. USE apenas com um carrinho, pedestal, tripé, suporte ou mesa recomendado pelo fabricante ou vendido com o aparelho. Ao usar um carrinho, tome cuidado ao movê-lo com o aparelho para evitar se ferir caso caia. 
11. NÃO exponha este equipamento a respingos ou borrifos e certifique-se de que nenhum objeto que contenha líquidos, como vasos, sejam colocados sobre o equipamento.



O ponto de exclamação dentro de um triângulo equilátero visa alertar o usuário quanto à inclusão de instruções importantes sobre o funcionamento e a manutenção (reparos) no material impresso que acompanha o produto.



O símbolo do raio com uma seta, dentro de um triângulo equilátero, visa alertar o usuário quanto à presença de tensão perigosa não isolada dentro do compartimento do produto, que pode ser potente o suficiente para representar um risco de choque elétrico às pessoas.

ATENÇÃO: Para reduzir o risco de incêndio ou choque elétrico, não exponha este aparelho à chuva ou à umidade.

ATENÇÃO: Nenhuma fonte de chama exposta, como, por exemplo, uma vela, deve ser colocada em cima do produto.



INSTALAÇÃO DAS CAIXAS ACÚSTICAS

Para otimizar o desempenho acústico, use os espigões. Em pisos duros, pode-se utilizar os encaixes de apoio dos espigões. Quando não for prático usar os espigões, use os pés amortecedores de borracha com rosca. Este produto vem com uma base que deve ser utilizada para otimizar a estabilidade.

Para fixar a base na parte inferior da caixa, coloque com cuidado a caixa acústica apoiada na parte superior sobre uma superfície não abrasiva. Cuidado para não arranhar o acabamento elegante nem danificar os alto-falantes durante o manuseio. Alinhe os orifícios de montagem na base com os orifícios roscados na parte inferior da caixa. Prenda a base à caixa com os quatro parafusos de montagem fornecidos.

Parafuse os espigões (com as contraporcas) totalmente nos orifícios roscados. Coloque a caixa acústica em pé no local desejado. Use a chave fornecida para ajustar a altura dos espigões para que a unidade fique nivelada e estável (sem balançar). Em seguida, aperte as contraporcas para prender os espigões nas posições ajustadas. (Ver a figura 6).

POSICIONAMENTO NO AMBIENTE

As caixas acústicas Veritas apresentarão bom desempenho em diversas posições, mas para obter os melhores resultados possíveis, siga as recomendações descritas a seguir:

Caixas acústicas frontais esquerda e direita (ver as figuras 1 e 2.)

- Coloque-as em uma mesma parede a uma distância de 1,8 a 4,6 m entre si.
- Se utilizadas em um sistema de cinema em casa, posicione as caixas acústicas ao lado da tela.
- Posicione-as equidistantes da parede situada atrás das unidades.

- Posicione-as na mesma altura acima do piso (no caso de modelos que não sejam de piso), com os alto-falantes de alta frequência na altura dos ouvidos.
- Coloque as caixas acústicas em um ângulo, voltadas para o ouvinte, e ao lado ou à frente de qualquer obstrução adjacente.
- Quando colocadas próximas de um canto ou parede, produzirão maior intensidade de graves; quando distanciadas das paredes, o resultado será inverso.
- Posicionar assimetricamente duas caixas acústicas em relação às paredes laterais adjacentes pode reduzir o desequilíbrio de graves causados pelo ambiente.
- Os modelos de estante podem ser colocados sobre estantes ou pedestais de piso opcionais.
- Faça algumas experiências baseando-se nas recomendações descritas acima a fim de identificar o melhor layout de acordo com sua preferência e para compensar as características acústicas do ambiente.

CAIXA ACÚSTICA DO CANAL CENTRAL (ver as figuras 1 e 2.)

- Coloque-a logo acima ou abaixo do meio da tela.
- Cole os suportes de borracha auto-adesivos fornecidos na parte de baixo da caixa acústica. (Ver a figura 4).

CAIXAS ACÚSTICAS SURROUND (ver as figuras 1 e 2.)

- Coloque-as a aproximadamente 60 cm acima da posição ocupada pelo ouvinte. (Tipicamente, cerca de 1,5 a 2 m acima do chão.)
- As caixas acústicas surround devem ser colocadas nas paredes diretamente adjacentes à posição ocupada pelo ouvinte. Outra opção é uma parede atrás da posição ocupada pelo ouvinte.
- A posição final das caixas acústicas surround depende das características do ambiente.
- Use o suporte de parede fixado na unidade para pendurá-la com um parafuso de tamanho apropriado que esteja preso em uma viga de parede ou bucha de parede, com capacidade suficiente para suportar o peso. (Ver a figura 2).
- Se necessário, consulte o revendedor Energy para informar-se sobre outros tipos de suportes opcionais ajustáveis para instalação em parede. Esses suportes usam os orifícios roscados situados atrás da caixa.
- As novas caixas acústicas surround Veritas tem configurações bipolar e dipolar. Se as caixas acústicas forem colocadas em paralelo à área ocupada pelo ouvinte, use a configuração dipolar. Se forem colocadas em outra posição, use a configuração bipolar. (Ver a figura 5).



CUIDADO! Não use o suporte para parede fixado na unidade para instalar a caixa acústica no teto!

CONEXÃO



CUIDADO! Desligue o amplificador antes de fazer qualquer tipo de conexão.

As caixas acústicas são equipadas com terminais de conexão positivos (vermelhos) e negativos (pretos), situados atrás das caixas. Eles correspondem aos terminais positivo e negativo no canal apropriado (esquerdo, direito, central, traseiro, etc.) do amplificador.

CONEXÕES PADRÃO (ver a figura 3)

- Algumas caixas acústicas Veritas vêm com terminais de conexão duplos conectados por uma tira metálica. Esta tira não deve ser removida, pois sem ela as caixas acústicas não funcionarão corretamente. Mantenha a tira no lugar e conecte o cabo de caixa acústica no conjunto superior dos terminais de conexão. É possível conectar dois cabos a uma caixa acústica com dois conjuntos de terminais de conexão. Consulte o manual do receiver para obter mais instruções.
- Todas as caixas acústicas do sistema devem ser conectadas em fase, com o terminal positivo da caixa acústica conectado ao terminal positivo do amplificador. Repita este procedimento ao conectar os terminais negativos da caixa acústica e do amplificador. Na maioria dos cabos de caixas acústicas, o isolamento de um dos condutores é claramente marcado para ajudar o usuário a fazer a conexão correta.
- No mínimo, use um cabo de cobre de bitola 16 (AWG) com dois condutores. Para maiores distâncias, use um cabo de bitola mais elevada. Os terminais de conexão na caixa acústica aceitam fios expostos, bornes de conexão ou plugues tipo banana.
- Use qualquer um dos pares de terminais positivo e negativo, mantendo as cintas metálicas no lugar.



CUIDADO! Independente do tipo de conexão, certifique-se de que não haja contato entre os terminais positivo e negativo na caixa acústica e no amplificador, uma vez que pode causar danos ao equipamento!

CONTROLE DE GRAVES

- Ao usar as caixas acústicas em um sistema de cinema em casa, consulte o manual do usuário do equipamento surround para configurar corretamente o ajuste de graves.
- Como regra geral, os graves das caixas acústicas compactas (para estante, canal central e surrounds) são ajustados de modo a limitar sua reprodução.
- Tipicamente, as caixas acústicas de piso são ajustadas para produzir o máximo possível de graves.
- Consulte também as instruções dos componentes eletrônicos para ajustar os níveis do volume relativo das caixas acústicas para que o ouvinte as ouça com o mesmo nível.

CUIDADO E LIMPEZA

- Basta limpar a caixa acústica de vez em quando com um pano úmido para retirar a poeira. Nunca use produtos de limpeza abrasivos ou solventes, nem detergentes fortes.
- Um aspirador de pó com uma escova macia pode ser usado para limpar o tecido da grade.
- Nunca borrife polidores ou produtos de limpeza nos alto-falantes ou tweeters.

GARANTIA FORA DOS EUA E DO CANADÁ

A garantia deste produto, caso seja vendido a um consumidor fora dos Estados Unidos e do Canadá, deve estar em conformidade com a lei aplicável. Para obter qualquer serviço coberto pela garantia, entre em contato com o revendedor do qual adquiriu este produto, ou com o distribuidor que o forneceu.

REGISTRO DO PRODUTO

Registre suas caixas acústicas Energy em energy-speakers.com/register

INFORMAÇÕES SOBRE AS NORMAS DE CONFORMIDADE ELETRO-MAGNÉTICA DA FCC E DO GOVERNO DO CANADÁ:

NOTA: Este equipamento foi testado e está em conformidade com os limites de um dispositivo digital Classe B, segundo a parte 15 das Regras da FCC. Estes limites foram concebidos para proporcionar proteção razoável contra interferência prejudicial em uma instalação residencial. Esse equipamento gera, usa e pode irradiar energia de radiofrequência e, se não for instalado e utilizado de acordo com as instruções, pode causar interferência prejudicial nas comunicações de rádio. Entretanto, não há garantia de que não ocorrerá interferências em instalações específicas. Se este equipamento causar interferência prejudicial na recepção de rádio ou televisão, o que pode ser determinado desligando e ligando o equipamento, recomenda-se que o usuário tente corrigir a interferência adotando uma ou mais das seguintes medidas:

- Reoriente ou reposicione a antena de recepção.
- Aumente a distância entre o equipamento e o receptor.
- Ligue o equipamento em uma tomada em um circuito diferente do circuito ao qual o receptor está conectado.
- Consulte o revendedor ou um técnico de rádio/televisão experiente para obter ajuda.

Aprovado no âmbito da disposição de verificação da Parte 15 da FCC como um dispositivo digital de Classe B.

Cuidado: Alterações ou modificações que não sejam expressamente aprovadas pelo fabricante podem resultar na anulação do direito do usuário de usar este dispositivo.

ESTE APARELHO DIGITAL DE CLASSE B ESTÁ EM CONFORMIDADE COM A NORMA ICES-003 DO CANADÁ.

INFORMAÇÕES SOBRE CONFORMIDADE COM AS NORMAS DA UNIÃO EUROPEIA

Qualificado para exibir a marca CE; está em conformidade com a Diretiva sobre Compatibilidade Eletromagnética (EMC) da União Europeia 2004/108/EC.

AVISO SOBRE A DIRETIVA WEEE

Nota: Esta marca se aplica apenas aos países da União Europeia (UE) e à Noruega.



Este aparelho está rotulado em conformidade com a Diretiva Europeia 2002/96/EC relativa a resíduos de equipamentos elétricos e eletrônicos (WEEE). Este rótulo indica que este produto não deve ser descartado junto com lixo residencial. Deve ser levado para uma instalação apropriada para ser recuperado e reciclado.

Figura 1

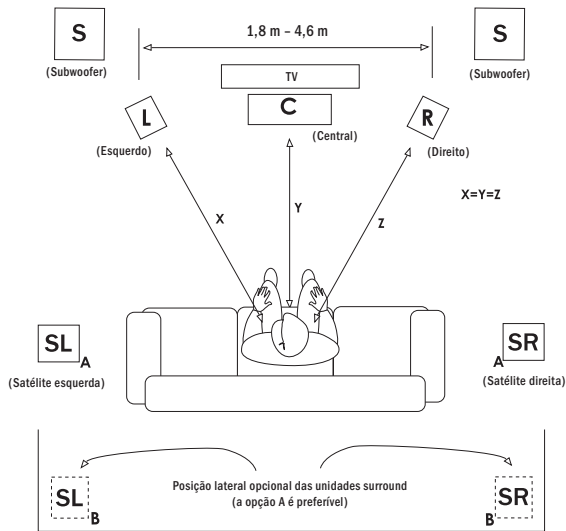


Figura 2

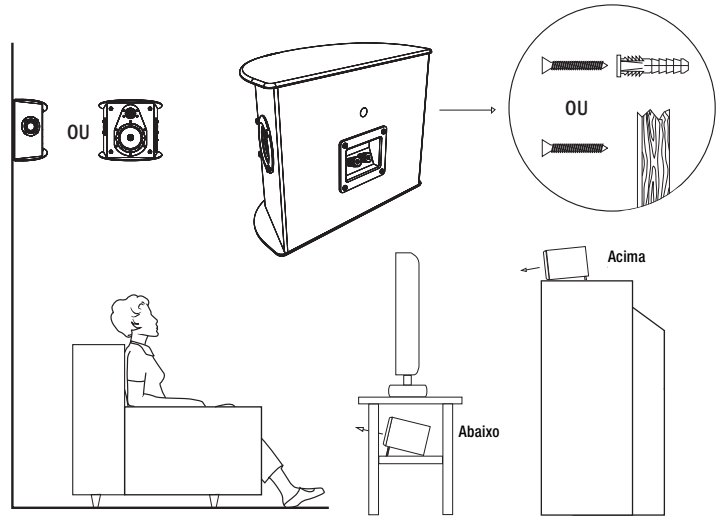


Figura 3 Conexões padrão

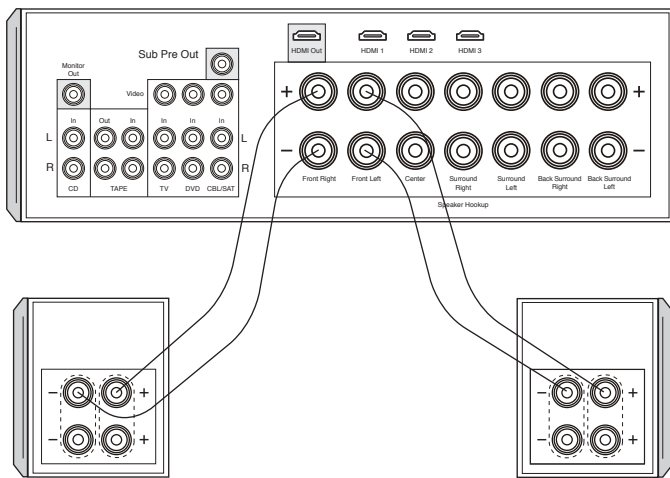


Figura 4

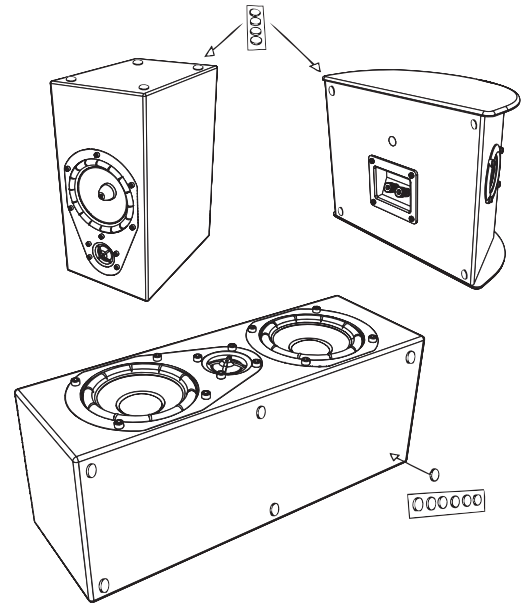


Figura 5

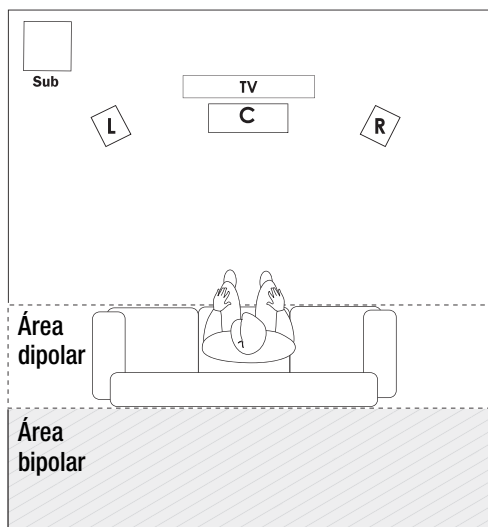
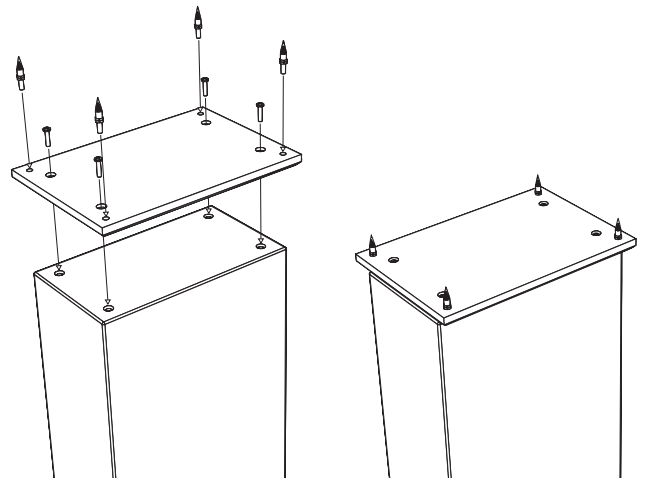


Figura 6



SPANISH - INSTRUCCIONES IMPORTANTES DE SEGURIDAD

1. LEA estas instrucciones.
2. GUARDE estas instrucciones.
3. RESPETE todas las advertencias.
4. SIGA todas las instrucciones.
5. NO use este aparato cerca del agua.
6. LÍMPIELO SOLAMENTE con un paño seco.
7. NO bloquee las aberturas de ventilación. Instale el aparato de acuerdo con las instrucciones del fabricante.
8. NO lo instale cerca de fuentes de calor tales como radiadores, rejillas de calefacción, cocinas u otros aparatos (incluso amplificadores) que generan calor.
9. USE SÓLO los accesorios especificados por el fabricante.
10. PONGA el aparato solamente en el carrito, pedestal, trípode, soporte o mesa especificado por el fabricante o vendido con el aparato. Sea precavido cuando mueva el aparato en un carrito para evitar las lesiones que pueda producir un volcamiento.
11. NO exponga este aparato a goteras o salpicaduras de agua y asegúrese de que no se le coloquen encima objetos llenos de líquido, tales como floreros.



El signo de admiración dentro de un triángulo equilátero tiene por objeto avisar al usuario que hay información importante sobre operación y mantenimiento (servicio) en los folletos que acompañan al producto.



El símbolo compuesto por un rayo con punta de flecha dentro de un triángulo equilátero tiene por objeto advertirle al usuario que dentro del aparato hay "voltajes peligrosos" no aislados cuya magnitud puede ser suficiente para constituir un riesgo de descarga eléctrica para las personas.

ADVERTENCIA: Para reducir el riesgo de incendio o descarga eléctrica, no exponga este aparato a la lluvia o a la humedad.

ADVERTENCIA: No se deben colocar fuentes de llama expuesta, tales como velas, encima de este producto.

	ADVERTENCIA RIESGO DE DESCARGA ELÉCTRICA. NO ABRIR.	
<p>ADVERTENCIA. No abrir. Riesgo de descarga eléctrica. Los voltajes que hay dentro de este equipo son peligrosos para los seres vivos. Dentro del dispositivo no hay piezas que el usuario pueda reparar. Encargue todo servicio al personal de servicio calificado.</p>		

CONFIGURACIÓN DE LOS ALTAVOCES

Para lograr un rendimiento acústico óptimo, instale las patas de púa. En los pisos duros, se pueden utilizar copas para púas. Cuando no sea práctico instalar las púas, instale las patas de goma atornilladas. Este producto viene con una base que le puede dar estabilidad óptima.

Para unir la base a la parte de abajo de la caja, invierta cuidadosamente el altavoz sobre una superficie no abrasiva. Tenga cuidado de no arañar el elegante acabado o dañar los excitadores al manipular el altavoz. Alinee los agujeros de montaje de la base con los insertos roscados ubicados en la parte de abajo de la caja. Fije la base a la caja con los cuatro tornillos de montaje incluidos.

Atornille las patas de púa (con tuercas de bloqueo) completamente en los insertos roscados. Ponga de pie el altavoz en la ubicación deseada. Con la llave incluida, ajuste la altura de las púas para que la unidad quede nivelada y estable (que no se balancee). Luego, apriete las tuercas de bloqueo para asegurar las púas en la posición ajustada. (Vea la Figura 6.)

UBICACIÓN EN LA SALA

Los altavoces Veritas se desempeñan bien en una variedad de ubicaciones, pero los mejores resultados se logran siguiendo las siguientes pautas:

Altavoz frontal izquierdo y altavoz frontal derecho (Vea las figuras 1 y 2)

- Ponga los altavoces en una misma pared de 6 a 15 pies de distancia uno de otro.
- Si son para un sistema de cine en casa, ponga los altavoces a los lados de la pantalla de video.

- Póngalos a la misma distancia de la pared ubicada detrás de los altavoces.
- Póngalos a la misma altura del piso (los modelos que no sean de piso) con los excitadores de frecuencias altas a la altura del oído del oyente sentado.
- Oriente los altavoces hacia el oyente y póngalos a la misma altura o más adelante que las obstrucciones adyacentes (si no están montados en la pared).
- Poner los altavoces cerca de una esquina o una pared produce más bajos; alejarlos de las superficies que forman la sala reduce la energía de bajos.
- La colocación asimétrica de un par de altavoces con respecto a las paredes laterales adyacentes puede nivelar las irregularidades de bajos inducidas por la sala.
- Los modelos de estantería se pueden poner en estanterías o en pedestales de piso opcionales.
- Experimente con las pautas especificadas arriba para adaptar la configuración a su gusto y compensar las características acústicas de la sala.

Altavoces de canal central (Vea las Figuras 1 y 2)

- Póngalos justo encima o debajo del centro de la pantalla de video.
- Cubra la parte de abajo del altavoz con las almohadillas de goma autoadhesivas incluidas. (Vea la Figura 4.)

Altavoces de canal surround (Vea las figuras 1 y 2)

- Ponga los altavoces a una altura aproximadamente 2 pies mayor que la del oído del oyente sentado. (Esto es por lo general de 5 a 7 pies sobre el piso.)
- Los altavoces surround se pueden ubicar en las paredes directamente adyacentes o en la pared que queda detrás de la posición del oyente.
- La ubicación final de los altavoces surround depende de las características de la sala.
- Enganche los soportes de pared del altavoz en cabezas de tornillos de tamaño apropiado atornillados en el paral vertical o en un ancla de pared con una capacidad de soporte de peso apropiada. (Vea la figura 2.)
- Consulte al distribuidor Energy para ver si tiene soportes de pared ajustables opcionales, si los necesita. Estos soportes se fijan en los bujes roscados que hay en la parte de atrás de la caja del altavoz.
- Los nuevos altavoces surround de Veritas tienen configuración bipolo y dipolo. Si los surrounds se van a poner en paralelo con respecto al área de audición, fije el selector en la posición de dipolo. Si se ponen en otro lugar, fije el selector en la posición de bipolo (Vea a la Figura 5).



PRECAUCIÓN. Nunca utilice el soporte de pared adjunto para montar el altavoz en el cielo raso.

CONEXIONES



PRECAUCIÓN. Apague el amplificador antes de hacer las conexiones.

Los altavoces tienen, en la parte de atrás de la caja, terminales de conexión positivas (rojas) y negativas (negras) que corresponden a las terminales positivas y negativas de los canales correspondientes (izquierdo, derecho, central, trasero, etc.) del amplificador.

Conexiones estándar (Vea la figura 3.)

- Algunos altavoces Veritas tienen dos pares de terminales conectadas por medio de una banda de metal. Si se quita la banda de metal, los altavoces no funcionan correctamente. Deje la banda en su lugar y conecte el cable de altavoz al par de terminales de arriba. Es posible hacerles cableado doble a los altavoces con dos pares de terminales. Hay más instrucciones en el manual del receptor.
- Todos los altavoces de su sistema deben conectarse en fase: la terminal positiva del altavoz debe ir conectada a la terminal positiva del amplificador, la terminal negativa del altavoz debe ir conectada a la terminal negativa del amplificador. La mayoría de los cables de altavoz tienen marcas distintivas en el aislamiento de uno de los conductores para facilitar la conexión correcta.
- Utilice cable de cobre de dos conductores calibre 16 (AWG) como mínimo, y mayor calibre para trayectos largos. Las terminales de conexión de su altavoz aceptan cable desnudo, terminales de orejeta de pala y terminales tipo banana.
- Utilice cualquiera de los pares de terminales y mantenga las bandas de metal de acoplamiento en su lugar.



PRECAUCIÓN. En ningún tipo de conexión debe haber contacto entre las terminales positivas y las terminales negativas del altavoz y del amplificador. Este contacto puede dañar el equipo.

Procesamiento de bajos

Cuando utilice sus altavoces en un sistema de cine en casa, consulte el manual del propietario de los componentes electrónicos surround para hacer los ajustes correctos de procesamiento de bajos.

- Como regla general, los altavoces compactos (estantería, canal central y surround) se ponen en la posición que limita los bajos; es decir, en la posición Pequeño (Small).
- Los altavoces de piso se ponen, por lo general, en la posición de gama completa; es decir, en la posición Grande (Large).
- Consulte también las instrucciones de los componentes electrónicos para ajustar los volúmenes relativos de los altavoces a fin de que produzcan la misma intensidad en la posición del oyente.

CUIDADO Y LIMPIEZA

- Quitar el polvo o limpiar ocasionalmente la caja con un paño húmedo es todo lo que se necesita. No utilice nunca limpiadores solventes o abrasivos ni detergentes fuertes.
- Se puede utilizar el accesorio de cepillo suave de la aspiradora para limpiar la tela de la rejilla.
- Nunca rocíe los excitadores (de woofers, altavoces de frecuencias medias o tweeters) con líquidos limpiadores o lustradores.

GARANTÍA EN EE.UU. Y CANADÁ

Energy garantiza este producto al comprador original minorista contra defectos de materiales o mano de obra por un período de dos (2) años a partir de la fecha de compra, si se utiliza y se mantiene apropiadamente. Si este producto resulta defectuoso en cuanto a materiales o mano de obra, Energy, a su discreción, (a) reparará o (b) cambiará el producto sin cobrar por piezas ni mano de obra. Si el modelo del producto ya no existe y no se puede reparar de manera eficaz ni cambiar por un modelo idéntico, Energy, a su exclusiva discreción, puede cambiar la unidad por un modelo actual de igual o mayor valor. En algunos casos, puede ser necesario hacer modificaciones en la superficie de montaje cuando se sustituya un modelo antiguo. Energy no asume ninguna responsabilidad por tal modificación. Para que le hagan reparaciones o cambios de acuerdo con los términos de esta garantía, devuelva el producto al distribuidor primero, si es posible, quien le dará instrucciones correspondientes para repararlo o cambiarlo. Se le exigirá que presente una copia del recibo original.

Limitaciones:

- Esta garantía limitada no cubre fallas del producto causadas por instalación inapropiada, uso inapropiado, abuso, accidente, descuido, manipulación inapropiada o desgaste por uso normal o deterioro ambiental.
- Esta garantía limitada no cubre daños cosméticos, tales como daños a la pintura, o daños emergentes a otros componentes o instalaciones que puedan producirse por cualquier razón a partir de la falla del producto.
- Esta garantía limitada se anula en productos que no se utilicen de acuerdo con las instrucciones de Energy.
- Esta garantía limitada se anula en productos con números de serie alterados o desaparecidos y en productos que no hayan sido comprados a un minorista autorizado.
- Esta garantía se termina si usted vende o de otro modo transfiere este producto a otra persona.

ESTA GARANTÍA LE DA A USTED DERECHOS LEGALES ESPECÍFICOS Y TAMBIÉN ES POSIBLE QUE USTED TENGA OTROS DERECHOS QUE VARÍAN DE UN ESTADO A OTRO, DE UNA JURISDICCIÓN A OTRA O DE UN PAÍS A OTRO. LA RESPONSABILIDAD DE ENERGY POR MAL FUNCIONAMIENTO Y DEFECTOS DE EQUIPO SE LIMITA AL CAMBIO O LA REPARACIÓN SEGÚN LO ESTIPULA ESTA DECLARACIÓN DE GARANTÍA. PARA LOS CLIENTES DE CANADÁ, ENERGY SE DESISTE DE SU RESPONSABILIDAD POR TODA OTRA GARANTÍA O CONDICIONES EXPRESAS, IMPLÍCITAS, ESTATUTARIAS O DE OTRA ÍNDOLE DEL PRODUCTO. PARA CLIENTES DE EE.UU., TODA OTRA GARANTÍA EXPRESA O IMPLÍCITA DEL PRODUCTO, INCLUIDAS, ENTRE OTRAS, LAS GARANTÍAS IMPLÍCITAS DE COMERCIABILIDAD E IDONEIDAD PARA ALGÚN PROPÓSITO EN PARTICULAR, SE LIMITA EN EL TIEMPO AL PERÍODO DE DURACIÓN DE ESTA GARANTÍA. ALGUNOS ESTADOS, JURISDICCIONES O PAÍSES NO PERMITEN LA EXCLUSIÓN DE CIERTAS GARANTÍAS O CONDICIONES IMPLÍCITAS NI LA LIMITACIÓN DE LA DURACIÓN DE LAS GARANTÍAS O CONDICIONES IMPLÍCITAS, DE MODO QUE ESTA LIMITACIÓN PUEDE NO CORRESPONDERLE A USTED. ENERGY NO ACEPTA RESPONSABILIDAD POR DAÑOS ESPECIALES, INDIRECTOS, FORTUITOS O EMERGENTES NI, ENTRE OTRAS, NINGUNA RESPONSABILIDAD POR RECLAMOS DE TERCEROS CONTRA USTED POR DAÑOS O PRODUCTOS QUE NO SE PUEDAN USAR. LA RESPONSABILIDAD MÁXIMA DE ENERGY NO SUPERARÁ LA CANTIDAD QUE USTED PAGÓ POR EL PRODUCTO SUJETO A RECLAMO. ALGUNOS ESTADOS, JURISDICCIONES O PAÍSES NO PERMITEN LA EXCLUSIÓN O LA LIMITACIÓN DE DAÑOS ESPECIALES, INDIRECTOS, FORTUITOS O EMERGENTES, DE MODO QUE LA LIMITACIÓN O EXCLUSIÓN INDICADA PUEDE NO CORRESPONDERLE A USTED.

GARANTÍA FUERA DE EE.UU. Y CANADÁ

Si este producto se vende a un consumidor fuera de los Estados Unidos o Canadá, la garantía de este producto deberá cumplir con las leyes correspondientes. Para que se le preste cualquier servicio de garantía aplicable, comuníquese con el minorista que le vendió este producto o con el distribuidor que se lo suministró.

REGISTRO DEL PRODUCTO

Registre su producto en línea en energy-speakers.com/register

INFORMACIÓN SOBRE CUMPLIMIENTO DE COMPATIBILIDAD ELECTROMAGNÉTICA (ELECTROMAGNETIC COMPATIBILITY, EMC) DE LA FCC Y DE CANADÁ

NOTA. Este equipo ha sido sometido a pruebas y se ha determinado que cumple con los límites establecidos para un dispositivo digital Clase B, en conformidad con la Parte 15 del Reglamento de la FCC. Estos límites se han fijado para ofrecer una protección razonable contra la interferencia perjudicial en una instalación residencial. Este equipo genera, emplea y puede radiar energía de frecuencias de radio y, si no se instala y emplea de acuerdo con las instrucciones, puede causar interferencia perjudicial en las comunicaciones de radio. Sin embargo, no hay garantía de que no habrá interferencia en una instalación en particular. Si este equipo causa interferencia perjudicial a la recepción de radio o de televisión, lo cual puede determinarse apagando y encendiendo el equipo, el usuario puede tratar de corregir la interferencia por medio de una o varias de las siguientes medidas:

- Reorientar o reubicar la antena de recepción.
- Alejar el equipo del receptor
- Conectar el equipo y el receptor a tomacorrientes de circuitos diferentes.
- Consultar al distribuidor o a un técnico experimentado de radio y televisión.

APROBADO BAJO LA DISPOSICIÓN DE VERIFICACIÓN DE LA PARTE 15 DEL REGLAMENTO DE LA FCC COMO DISPOSITIVO DIGITAL CLASE B.

PRECAUCIÓN: LOS CAMBIOS O MODIFICACIONES NO APROBADOS EXPRESAMENTE POR EL FABRICANTE PUEDEN ANULAR LA AUTORIZACIÓN DEL USUARIO PARA HACER FUNCIONAR ESTE DISPOSITIVO.

ESTE DISPOSITIVO DIGITAL CLASE B CUMPLE CON LA NORMA CANADIENSE ICES-003.

INFORMACIÓN DE CONFORMIDAD EN LA UNIÓN EUROPEA (EUROPEAN UNION, EU)

Tiene derecho a llevar la marca CE: satisface la directiva de EMC 2004/108/EC.

AVISO DE LA DEEE

Nota: Esta marca se aplica sólo a países de la Unión Europea (European Union, EU) y Noruega.



Este dispositivo ha sido etiquetado de acuerdo con la directiva europea 2002/96/EC sobre Desechos de Equipo Eléctrico y Electrónico (DEEE) (Waste Electrical and Electronic Equipment, WEEE). Esta etiqueta indica que este producto no se debe desechar con desperdicios domésticos. Se debe dejar en un establecimiento apropiado para su recuperación y reciclaje.

Figura 1

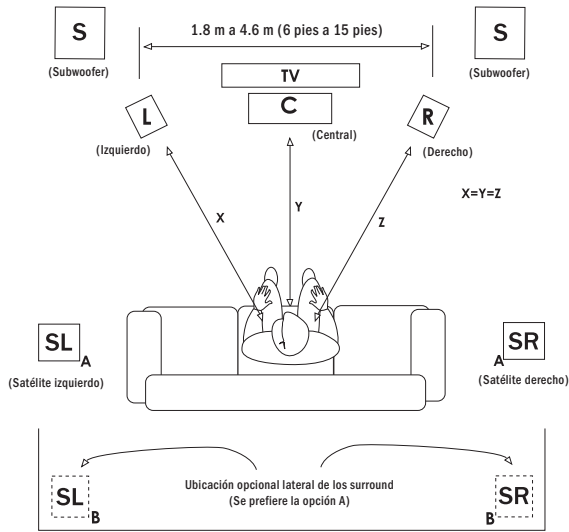


Figura 2

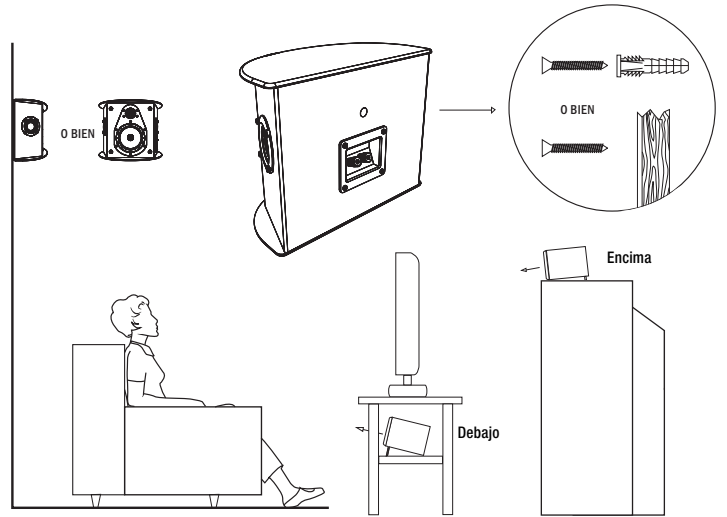


Figura 3 Conexiones estándar

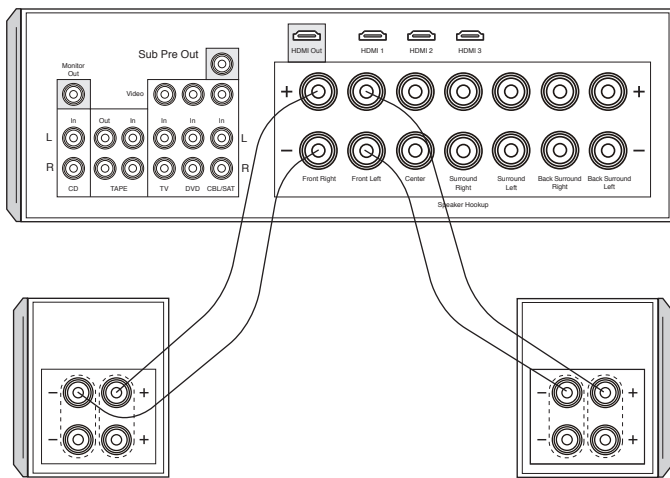


Figura 4

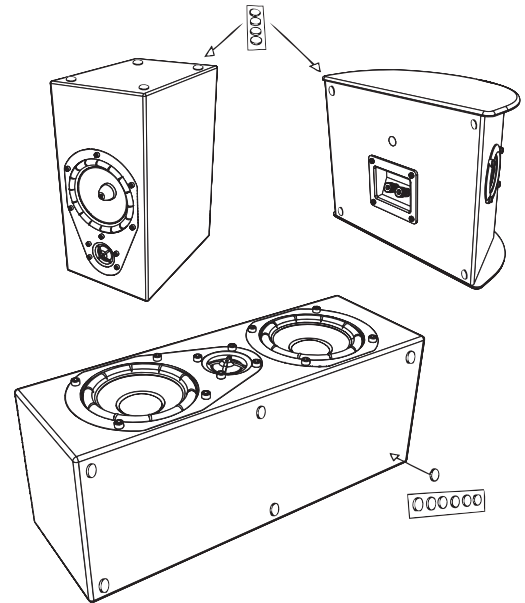


Figura 5

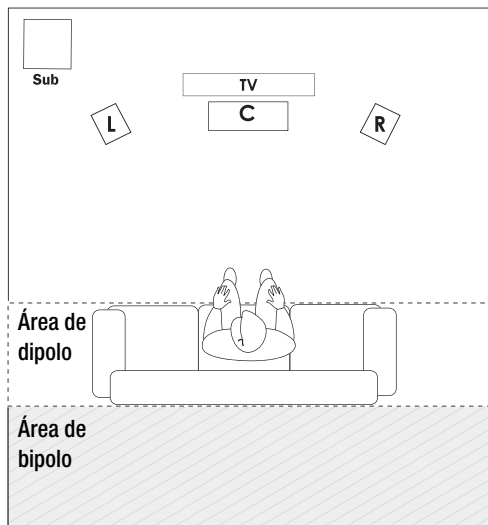
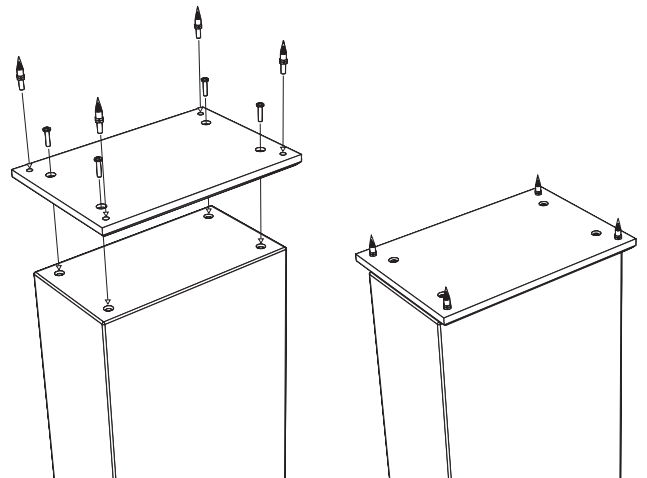
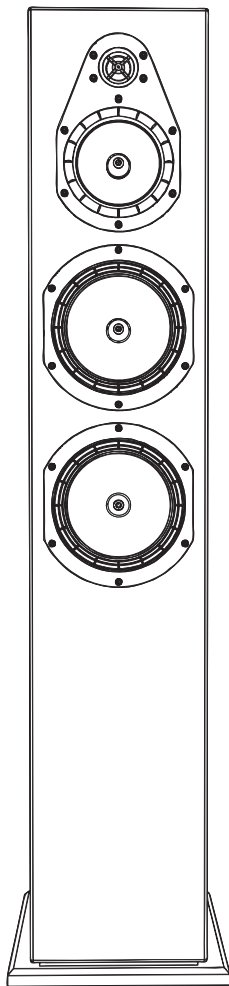
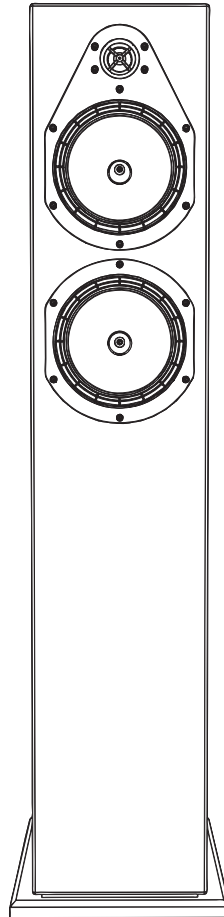


Figura 6

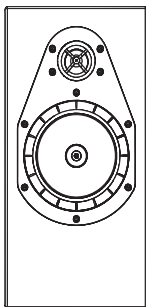




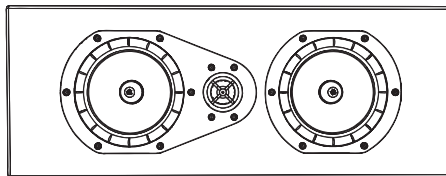
V-6.3



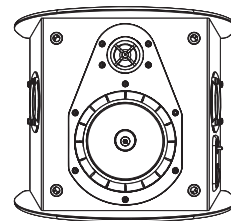
V-6.2



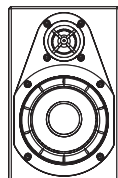
V-5.1



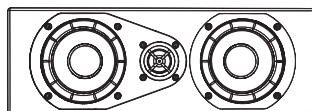
V-5.2-C



V-S



V-Mini



V-Mini-C

ENERGY

1 (866) 441-8208 • energy-speakers.com

© 2010 Klipsch Speakers