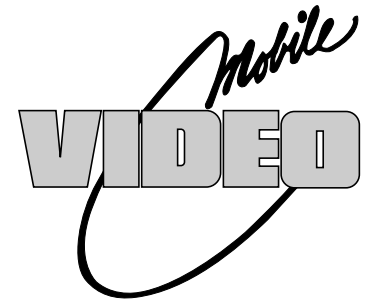
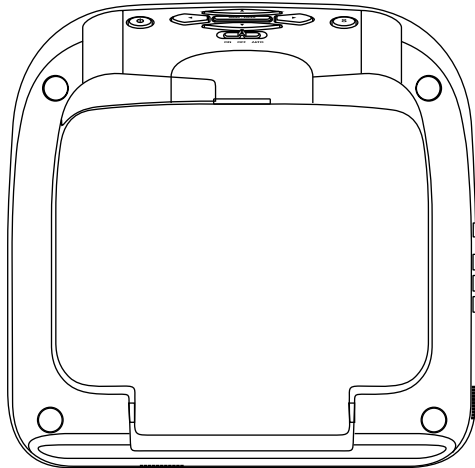


**VOD10PS2**  
**10.2" OVERHEAD LCD**  
**MONITOR WITH**  
**SONY PS2 PLAYER**



**OPERATION**  
**MANUAL**



128-8667

## Important Notice

Installation of overhead products requires careful planning and preparation. Be extremely careful when working on a vehicle with side curtain air bags. Do not route wires near any portion of the side curtain air bag assemblies. This includes any anchor points in A, B, C or D pillars of the vehicle. Routing wires in these areas or running wires by the side curtain air bags can prevent the side curtain air bag from fully deploying which can result in personal injury to vehicle occupants. If you have any questions regarding wire routing in a vehicle, please contact Audiovox Technical Support at 1-800-225-6074.

When connecting power and ground in a mobile video installation ensure that the ACC wire is fused at the point where it is connected to the vehicle ACC wiring. Failure to do so can result in damage to the vehicle if a short circuit develops between the vehicle connection point and the mobile video product.

An LCD panel and/or video monitor may be installed in a motor vehicle and visible to the driver if the LCD panel or video monitor is used for vehicle information, system control, rear or side observation or navigation. If the LCD panel or video monitor is used for television reception, video or DVD play, the LCD panel or video monitor must be installed so that these features will only function when the vehicle is in "park" or when the vehicle's parking brake is applied.

An LCD panel or video monitor used for television reception, video or DVD play that operates when the vehicle is in gear or when the parking brake is not applied must be installed to the rear of the driver's seat where it will not be visible, directly or indirectly, to the operator of the motor vehicle.

## Warnings

- Do not use any solvents or cleaning materials when cleaning the video monitor.
- Do not use any abrasive cleaners, they may scratch the screen.
- Use only a lightly dampened lint free cloth to wipe the screen if it is dirty.
- Lock the LCD screen in the fully closed position when not in use.
- Before putting on headphones always adjust the volume setting to the lowest position.
- Remember to leave the dome light switch in the off or auto positions when the vehicle is unattended, as the dome lights, if left on, can drain the vehicle's battery.
- Do not put pressure on the screen.
- Caution children to avoid touching or scratching the screen, as it may become dirty or damaged.

Licensed under one or more of the following patents: Patent NOS. 5,775,762 and 5,927,784

PlayStation®2 is a registered trademark of Sony Corporation

## Congratulations

Congratulations on your purchase of the AUDIOVOX VOD10PS2 Player with Drop-Down Video / Monitor. The VOD10PS2 has been designed to give you and your family many years of video entertainment in the mobile environment. Please read the directions that follow to familiarize yourself with the product to ensure that you obtain the best results from your equipment.

**Please note:** Installation options vary, see the individual owner's manuals for each component in your system to obtain a full understanding of each component's operation.

## Safety Precaution

For safety reasons, when changing video media it is recommended that the vehicle is not in motion, and that you do not allow children to unfasten seat-belts to change video media or make any adjustments to the system. System adjustments can be accomplished using the remote control, while seat-belts remain fastened. Enjoy your AUDIOVOX entertainment system but remember the safety of all passengers remains the number one priority.

## FEATURES

- 10.2" TFT (Thin Film Transistor) Active Matrix LCD (Liquid Crystal Display) Monitor
- Built-in SONY PlayStation2 game console
- 2 SONY PlayStation2 Wireless Game Controllers
- Full Function Remote Control
- OSD (On Screen Display) for Control of Picture Quality and Functions
- Infrared Transmitter for IR Wireless Headphones
- 2 wireless IR headphones
- Audio/Video Source Inputs (PS2, AV1, AUX)
- A/V output via RCA pigtail
- Dome Lights with 3-Position Switch
- Built-in 16 Channel Frequency Wireless FM Modulator
- Screen Mode Selection (4:3, 16:9)
- Backlit Controls
- Plays DVD, CD and SONY PlayStation2 Games

## Quick Start Guide

1. Insert batteries into the PlayStation2 game controllers and the remote control (game controller transceivers are preinstalled when the unit is shipped).
2. Turn the vehicle on (running this unit on battery power (accessory key setting) will drain the battery).
3. Press the screen release button to lower the LCD screen. Swing the screen back to allow the PlayStation2 to drop down.
4. Push the PlayStation2 release button to drop down the PlayStation2
5. Press the **▲** (open) button on the PlayStation2 to open the PlayStation2 disc cover.
6. Insert a DVD or PlayStation2 game onto the spindle and press gently to seat the disc on the spindle.
7. Close the disc cover on the PlayStation2 by pressing down gently on the center of the cover.
8. Return the PlayStation2 to its docked position
9. Turn the VOD10PS2 on by pressing the power button  
**NOTE:** If a blue screen is present, press the green RESET key on the remote control or the PlayStation2.
10. If a game is played and the game controllers are not linked, press the “Force Link” button on each game controller.
11. If a DVD is played press the PLAY key on the remote control, or the “X” key on the game controller or the Menu/Enter key on the front of the overhead unit.

## Quick Start Guide (Cont)

12. When using the wireless headphones install the batteries in each headphone. Turn the volume to minimum before turning them on. Once they are turned on, place them on your head (pay attention to R/L earpieces) and slowly adjust the volume to a comfortable listening level.
13. When listening to the system over the vehicle radio:
  - a. Using the remote control:
    - i. to turn on the FM modulator by pressing FMM ON/OFF
    - ii. Select an FM frequency by pressing FMM Select.
    - iii. Tune the vehicle radio to the FM frequency selected.
  - b. Using the MENU/ENTER Key on the front of the unit:
    - i. Press MENU/ENTER.
    - ii. Use the ▼ (down) key to highlight FMM, press MENU/ENTER.
    - iii. Use the ▼ (down) or ▲ (up) key to select FMM ON.
    - iv. Press MENU/ENTER to select FMM ON.
    - v. To select the frequency press MENU/ENTER.
    - vi. Use the ▼ (down) key to highlight FMM and press MENU/ENTER.
    - vii. Use the ▼ (down) key to highlight FMM SELECT and press MENU/ENTER.
    - viii. Use the ▼ (down) ▲ (up) ► (right) or ◀ (left) keys to select an FM frequency.  
(NOTE: For best sound quality select an FM Frequency that is not used in the area you will be driving)
    - ix. Press MENU/ENTER to set the FM frequency.
    - x. Tune your vehicle radio to the frequency just set in the steps above.
    - xi. Adjust the volume of the vehicle radio to a comfortable listening level.

## Quick Start Guide (Cont)

### Using the Control Panel

To access the Control Panel press the dark gray DISPLAY or dark gray SELECT button. The Control Panel (Below) can be used to navigate the DVD disc. Refer to figure below:

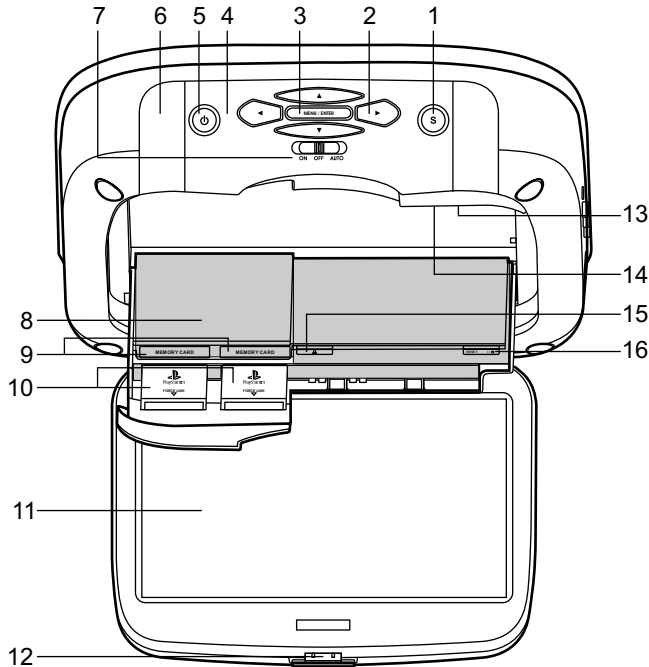


Pressing the dark gray DISPLAY or dark gray SELECT button again will cause the Control Panel to change its position on the screen. Pressing the DISPLAY or SELECT button a third time will turn off the Control Panel. Use the dark directional buttons (▼ ▲ ► ◀) to select an icon. When the desired icon is selected, press the X button.

**NOTE:** The Control Panel may appear at the end of some DVD movies.

For complete instructions regarding the functions provided by the Control Panel refer to the PlayStation2 User's Guide.

## CONTROLS AND INDICATORS DIAGRAM (FRONT VIEW)



- 1. SOURCE Button (S)**  
Use to select the sources: PS2, AV1 and AUX.
- 2. CURSOR Buttons (▲▼◀▶)**  
Use these buttons to access menu selections on the screen.
- 3. MENU/ENTER Button**  
Use this button to access SYSTEM MENU and select system menu items.
- 4. Infrared Transmitter and Sensor**  
Transmits audio to wireless headphones, allows the remote control to operate the unit and to control other accessories in the system.
- 5. POWER Button (⏻)**  
Used to turn the system on/off (standby).
- 6. Dome Lights**  
Provide additional interior illumination.
- 7. Three Position Dome Light Switch**  
**ON** - Turns on the dome lights. (Do not leave switch on when vehicle is off.)  
**OFF** - The dome lights will not turn on in this position.  
**AUTO** - Automatically switches on the dome lights in Conjunction with the vehicle's interior illumination.
- 8. PlayStation2 CONSOLE**
- 9. MEMORY CARD SLOT 1 & MEMORY CARD SLOT 2 (Memory Cards not supplied)**
- 10. PS2 WIRELESS FORCE 2 CONTROLLER TRANSCEIVERS (Transceivers supplied)**

**11. LCD Panel**

**12. Screen Release**

Press to release the screen.

**13. LCD Cut Off Switch**

Used to turn off the LCD backlit when the LCD is in the closed position.

**14. OPEN**

Push to open the PlayStation2 tray.

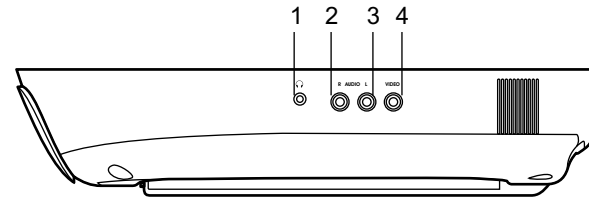
**15. OPEN (▲)**

The disc tray opens.

**16. RESET (I/⏻)**

ON/Standby and RESET indicator.

## CONTROL FUNCTION DESCRIPTION (SIDE VIEW)



**1. HEADPHONE JACK**

For wired headphone with a 1/8" (3.5mm) plug.

**2. Auxiliary Audio Right Input**

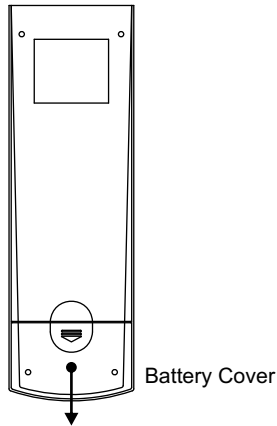
**3. Auxiliary Audio Left Input**

**4. Auxiliary Video Input**



## REMOTE CONTROL OPERATION

Back View



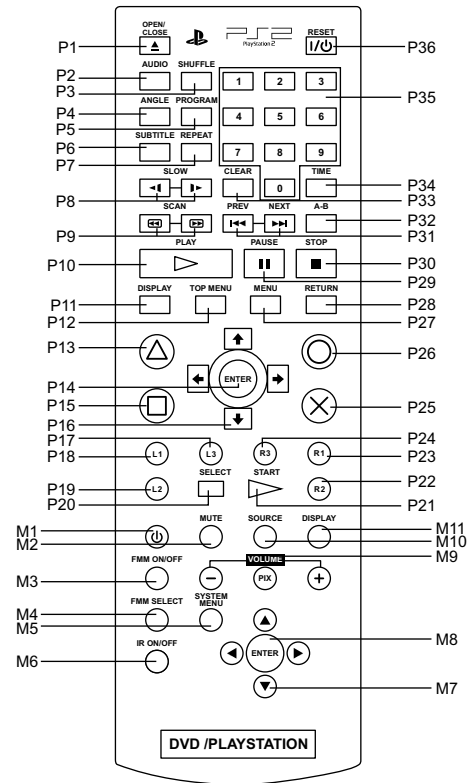
### Battery Installation

Before attempting to operate your Remote Control, install the batteries as described below.

- 1) Turn the Remote Control face down. Using your finger, slide the battery cover off in the direction of the arrow.
- 2) Install Two “AAA” batteries. Make sure that proper polarity (+ or -) is observed.
- 3) Align the cover tabs with the remote control and slide the cover until it locks.

The remote control is designed to operate the unit. It is not a universal remote control and will not control equipment from other manufacturers.

## MAIN FUNCTION OPERATION



## REMOTE CONTROL FUNCTIONS

The remote control is divided into two sections, Dark Gray buttons on the top, which control the built-in PlayStation2 and Light Gray buttons on the bottom of the remote control, that control the other functions of the unit.

### PLAYSTATION CONTROLS (P1-P37) (Dark Gray Buttons)

**NOTE:** PlayStation2 controls (refer to the SONY PlayStation2 manual for details).

**P1. OPEN/CLOSE**

Not used on this model.

**P2. AUDIO**

Displays and changes DVD audio options.

**P3. SHUFFLE**

Starts playback of titles or chapters in random order.

**P4. ANGLE**

Displays and changes DVD viewing angle options.

**P5. PROGRAM**

Displays the Program Setup screen.

**P6. SUBTITLE**

Displays and changes DVD subtitle options.

**P7. REPEAT**

Selects repeated playback of all the titles on the disc, or one title or chapter.

**P8. SLOW (◀◀ / ▶▶)**

Changes to slow-motion playback. (Forward or Reverse)

**P9. SCAN (◀◀ / ▶▶)**

Fast forwards or fast reverses playback on the screen to locate a particular scene.

**P10. PLAY**

Starts playback.

**P11. DISPLAY**

Displays the Control Panel of the PlayStation2.

**P12. TOP MENU**

Displays the disc menu of DVD-Video discs. The content varies from disc to disc.

**P13. △ BUTTON: DVD MENU**

Selects the item to be changed.

**P14. ENTER**

Executes the item selected on the DVD disc menu or the on-screen Control Panel.

**P15. □ BUTTON: TITLE MENU**

Selects the title to be played.

**P16. DIRECTIONAL BUTTONS: CURSOR CONTROL**

Use these buttons to access the menu selection on the screen.

**P17. L3 BUTTON**

Displays Subtitle Options to select the subtitle language and/or turn it on or off.

**P18. L1 BUTTON**

Previous (⏮), press to return to the previous chapter or track.

**P19. L2 BUTTON**

Search (⏮) using fast reverse or fast forward playback.

**P20. SELECT**

Displays the control panel of the PlayStation2.

**P21. START**

Press to Play/Pause disc playback.

**P22. R2 BUTTON**

Search (⏭) using forward playback.

**P23. R1 BUTTON**

Next (⏭) press to skip to the next chapter or track.

**P24. R3 BUTTON**

Displays Audio Options, press the language changes.

**P25. X BUTTON: ENTER**

**P26. O BUTTON: CANCEL / ■ (Stop)**

**P27. MENU**

Displays the disc menu of DVD-Video discs. The content of the menu varies from disc to disc.

**P28. RETURN**

Returns to the previously selected screen within the disc menu of DVD-Video discs.

**P29. PAUSE**

Pauses and resumes playback.

**P30. STOP**

Stops playback.

**P31. PREVIOUS (⏮) / NEXT (⏭)**

Returns to the beginning of the current or previous chapter/Skips to the beginning of the next chapter.

**P32. A-B REPEAT**

Specifies a scene for playback and starts playback of the scene that has been set.

**P33. CLEAR**

Clears selected numbers or playback modes.

**P34. TIME**

Displays the current title or chapter number and the elapsed or remaining time.

**P35. NUMBER 0~9**

Used to select numerical items displayed on the screen.

**P36. STANDBY / RESET**

Used to turn on, reset, and set the PlayStation2 console in standby mode. On :Press Once. Reset :Press for about one second.  
Standby mode :Press and Hold down for more than three seconds.

## **OVERHEAD MONITOR CONTROLS (M1-M11) (Light Gray Buttons)**

**M1. POWER**

Press this button to turn the unit ON and OFF.

**M2. MUTE**

Press this button to mute the audio. Pressing the button again restores the sound to the previously set level.

**M3. FMM ON/OFF**

Turns the wireless FM Modulator ON or OFF.

**M4. FMM SELECT**

Select the FM Modulator Frequency.

**M5. SYSTEM MENU**

Allows the user to access the main system menu for picture controls, FM Modulator Select, screen mode etc.

**M6. IR ON/OFF**

Turn Infrared Transmitter power ON/OFF for IR Wireless Headphones.

**M7. CURSOR BUTTON (▲▼◀▶)**

Use these buttons to access system menu selections on the screen.

**M8. ENTER**

Used to execute a selected setting or menu option.

**M9. VOLUME (- PIX +)**

Each time this button is pressed, the OSD will display the "adjustment bars" for BRIGHTNESS, CONTRAST, COLOR or TINT. Once the desired adjustment bar is displayed, use the ("+" / "-") buttons to adjust the setting. The display will automatically turn off if no adjustments are made after 6 seconds, or if any other button is pressed.

**M10. SOURCE**

Each time the button is pressed, the audio/video source will change: PS2, AV1 and AUX.

**M11. DISPLAY**

Press to display OSD information.

## WIRELESS CONTROLLER (2.4GHz)

Carefully read the information before use. For detailed connection and usage methods, refer to the Owner's Manual for the PlayStation2 system.

Requires 3 AAA Batteries (Not Included)

### HOW TO USE

Battery Installation and Pairing Instruction:

Remove battery compartment cover and place batteries in compartment.

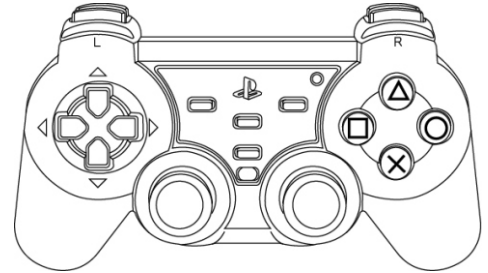
Make sure that your batteries are placed in the correct direction in the battery compartment. Replace the battery cover once complete.

The wireless transceivers are pre-installed in the controller ports on your PlayStation2 system.

Turn on your PlayStation2 system. Press the green reset button on the remote control if the PlayStation2 does not come on when the main unit is turned on.

The Link LED will flash for a few seconds and the transceiver will begin to search for the controller.

Once the controller is paired with the transceiver, the LED indicator will glow and will remain lit.



The LED will turn off when the controller is powered off or is in sleep mode.

In order to avoid conflicts between working controllers, each is issued a unique ID. However, if there is a need to re-pair the controller and the transceiver, simply press the “Force Link” button on the transceiver first, then on the controller. The Link LED will flash for a few seconds and the receiver will begin to search the controller.

**Safety Precaution: Follow the battery manufacturer's instructions as well as these important safety tips. Do not open or mutilate batteries as they might leak dangerous chemicals.**

Sleep Mode:

The controller will revert to sleep mode after five minutes of inactivity or when the controller is without an active link for a period of two minutes. The Pad will wake from sleep mode by pressing any of the following keys “Mode”, “Select”, “Start”, “L3” or “R3”.

Low Power Warning Function:

Under low battery conditions, the Mode LED will flash and the vibration motors will automatically turn off.

Vibration:

The controller's default vibration setting is on.

To turn off the vibration function, press the vibration button once. The controller will vibrate twice to confirm.

To turn the vibration on, press the vibration button once and the controller will vibrate once to indicate vibration is active.

**Safety Precaution: Stop using this unit immediately if you begin to feel tired or if you begin to feel discomfort or pain during use. Do not use the vibration function if you have an ailment or injury to the bones, joints or muscles of your hands or arms.**



## SYSTEM MENU ADJUSTMENT

The System Menu contains features and options that let you customize your system to change the screen mode display, OSD language and source default.

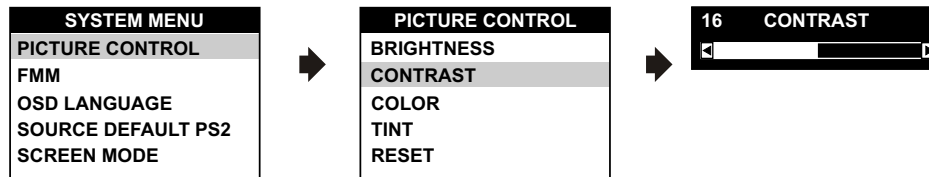
- 1) Press the MENU/ENTER button on unit to enter System Menu, the main page of the system menu will appear on screen.
- 2) Use the cursor buttons ▲ or ▼ to select the desired item in the main page and press the MENU/ENTER button to select. (Items selected in the menu will have a green background)
- 3) The sub menu will appear on screen.
- 4) Use the cursor buttons ▲ or ▼ to select an item in the sub menu and then press the MENU/ENTER button to select.
- 5) Use the cursor buttons ◀ or ▶ to adjust picture control and press the MENU/ENTER button to confirm setting.
- 6) Press and hold the MENU/ENTER button to exit System Menu.

**NOTE:** : System Menu can be controlled via unit and remote control. Press the SYSTEM MENU button for access. (Items selected in the menu will have a green background)

### PICTURE CONTROL (REMOTE CONTROL)

When watching a DVD or playing a game, the picture quality can be adjusted to suit your personal taste.

- 1) Press the SYSTEM MENU button on the remote control, the SYSTEM MENU will appear.
- 2) Highlight PICTURE CONTROL using the light gray ▲ or ▼ buttons and press the light gray ENTER button. The PICTURE CONTROL menu will appear.
- 3) Use the light gray ▲ or ▼ buttons to highlight the picture control to be changed and press the light gray ENTER button. The control setting for that picture control will appear on the screen.



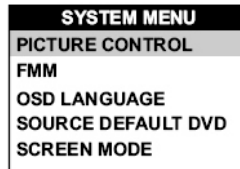
- 4) Use light gray ◀ or ▶ buttons to change the picture control setting.
- 5) To change another picture control setting press the SYSTEM MENU button and select another picture control using the light gray ▲ or ▼ buttons. Repeat step 4 to change the picture control setting.
- 6) To reset the picture control settings to the factory default settings, enter the picture control menu and use the light gray ▼ button to highlight RESET and press the light gray ENTER button.

**NOTE:** The light gray PIX control and light gray VOLUME and + buttons on the remote control can also be used to adjust the picture control settings. When using this method highlight RESET and press the or + button to reset the picture controls to factory default settings.)

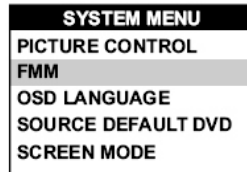
### **FMM**

FMM ON/OFF options - Turns the wireless FM Modulator on or off.

- 1) Press the SYSTEM MENU on the remote control, the following screen will appear:



- 2). Use the light gray ▼ (down) arrow on the remote control to highlight FMM as shown below:



3) Press the light gray ENTER button on the remote control and the following screen will appear:

SCREEN MODE
FMM ON
FMM OFF
FMM SELECT

4). Use the light gray ▲ (up) or ▼ (down) arrow on the remote control to highlight FMM ON and press the light gray ENTER button to turn the FM Modulator on.

### **FMM SELECT**

1. Repeat steps 1 through 3 above and highlight FMM SELECT

2). Use the light gray ▼ (down) arrow on the remote control to highlight FMM SELECT and press the ENTER button, the following screen will appear.

FMM SELECT	
88.1 MHz	89.7 MHz
88.3 MHz	89.9 MHz
88.5 MHz	90.1 MHz
88.7 MHz	90.3 MHz
88.9 MHz	90.5 MHz
89.1 MHz	90.7 MHz
89.3 MHz	90.9 MHz
89.5 MHz	91.1 MHz

3) Use the light gray ▲ (up) ▼ (down) ◀ (left) ▶ (right) buttons on the remote control to select a frequency not used by a radio station in the area. Press the light gray ENTER button to select the highlighted frequency.

**NOTE:** The menu will time out after a short period, or press the SYSTEM MENU button to turn off the menu.

## OSD LANGUAGE

This allows the user to select the language for the on-screen display. The user can either select English, Spanish, French, German for the OSD language.

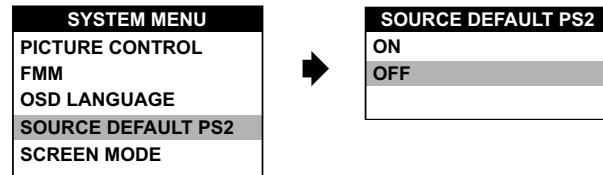


## SOURCE DEFAULT PS2

This allows the user to set the system default source to PS2 (via System Menu).

### **NOTE: :**

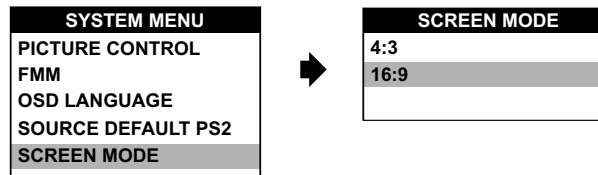
- If selected default source is set to PS2 every time the unit's power is cycled with the source set to something other than PS2, the unit will power up and automatically switch the source over to PS2
- Unit will be set to Last Source on as the default mode of operation.
- Selection of Source default can only be made from within the system menu.



## SCREEN MODE

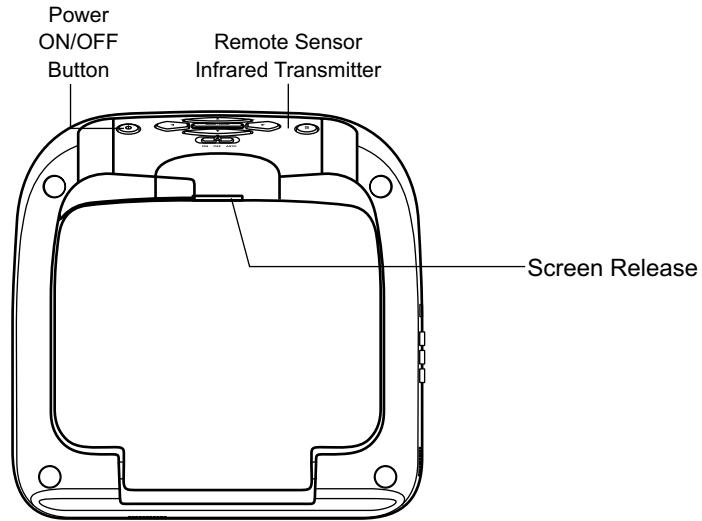
This allows the user to change the screen format (aspect ratio 4:3, 16:9).

To select the screen aspect ratio format highlight **SCREEN MODE** and press MENU/ENTER button to enter the submenu. Then press the Cursor button **▲** or **▼** to select from 4:3 or 16:9. Press MENU/ENTER button to confirm the setting.



## TURNING THE UNIT ON OR OFF

1. Pushing in the Screen Release button will unlock the LCD screen and it will drop down slightly. Pivot the screen downward until a comfortable viewing angle is reached. The hinge friction will hold the screen in position while the system is in use.
2. Pressing the power button\* on the unit or the remote control will turn the system on and off. When in use the internal backlighting will illuminate the controls.
3. After the unit has been turned on and is displaying a picture, adjust the viewing angle, by pivoting the screen to optimize the picture quality.
4. Remember to turn the unit off and pivot the LCD to the locked position when not in use.



## **OVERHEAD DOME LIGHTS**

The Dome Lights integrated into the unit are controlled by a three position slide switch. Sliding the switch to the ON position will turn the lights ON. The OFF position will prevent the lights from turning ON with the vehicle's interior lighting, and the auto position will allow the lights to turn ON and OFF with the vehicle's interior lighting. Refer to the Installation Guide for wire connections. Do not leave the vehicle unattended with the dome light switch in the ON position, as this could result in a discharged battery.

## **ACCESSORIES**

### **WIRELESS HEADPHONES**

The unit includes a built-in infrared transmitter for use with the supplied wireless headphones. The headphone volume is adjusted using the controls on each headset. Any number of wireless headphones may be used but they must be used within a line of sight from the transmitter, as infrared transmissions, like visible light travel only in a straight line. See the documentation accompanying your wireless headphones.

### **WIRED HEADPHONES (OPTIONAL)**

There is one 1/8" headphone jack on the unit that can be used with any standard wired stereo headphones with a 1/8" plug. This jack is controlled by the volume up/down buttons on the remote control or the ◀ (left) ▶ (right) buttons on the overhead.

## **SOURCE FEATURE**

### **AV1**

The AV1 input may be connected to a external video source, video game system, or other audio / video devices. To access the audio / video inputs, turn the unit on and press the S (source) button or the Source button on the remote control until "AV1" is displayed on the screen. Turn the video source component on with its power button or remote control and it is now ready to play the audio and video signals from the source connected .

**NOTE:** *The AV1 source is available only if pre-installed during your video product installation.*

### **AUX**

The AUX input (located on th right side of the unit) may be connected to a external video source, video game system, or other audio / video devices. To access the audio / video inputs, turn the unit on and press the S (source) button or the Source button on the remote control until "AUX" is displayed on the screen.

### **PS2**

Press the source button until the screen displays PS2.

Press (1/0) RESET on unit/remote control to turn ON the PS2 Console.

## TROUBLESHOOTING

PROBLEM	SOLUTION
IR remote inoperative	<ul style="list-style-type: none"><li>• Verify that the batteries in the remote are fresh.</li><li>• Verify that the remote sensor eye is not obstructed.</li></ul>
Disc won't play	<ul style="list-style-type: none"><li>• Insert a disc with the label side facing up.</li><li>• Check the type of disc you put into disc tray. This PS2 only plays PS2 GAMES, DVDs, audio CDs.</li><li>• Both the unit and the disc are coded by region. If the region codes don't match, the disc can't be played.</li><li>• Make sure screen source is set to PS2.</li></ul>
Play starts, but then stops immediately	<ul style="list-style-type: none"><li>• The disc is dirty. Clean it.</li><li>• Condensation has formed. Allow player to dry out.</li></ul>
No sound or distorted sound	<ul style="list-style-type: none"><li>• Make sure your DVD is connected properly. Make sure all cables are securely inserted into the appropriate jacks.</li><li>• Make sure the Modulator is ON and the Frequency selected on the unit matches the frequency set on the radio.</li><li>• Make sure that unit is using Single Channel Headphones or Dual Channel Headphones set to channel A.</li><li>• For wireless headphones make sure the batteries are fresh.</li></ul>
Can't advance through a movie	It can't advance through the opening credits and warning information that appear at the beginning of movies because the disc is programmed to prohibit that action.



<b>PROBLEM</b>	<b>SOLUTION</b>
⊘ Not allowed at the moment	<ul style="list-style-type: none"> <li>• The feature or action cannot be completed at this time because:               <ol style="list-style-type: none"> <li>1. The disc's software restricts it.</li> <li>2. The disc's software doesn't support the feature (e.g., angles)</li> <li>3. The feature is not available at the moment.</li> <li>4. 4 title or chapter number that is out of range.</li> </ol> </li> </ul>
Picture is distorted	<ul style="list-style-type: none"> <li>• The disc might be damaged. Try another disc.</li> <li>• It is normal for some distortion to appear during forward or reverse scan.</li> </ul>
No forward or reverse scan	<ul style="list-style-type: none"> <li>• Some discs have sections that prohibit rapid scanning or title and chapter skip.</li> <li>• If you try to skip through the warning information and credits at the beginning of a movie, you won't be able to. This part of the movie is often programmed to prohibit skipping through it.</li> </ul>

### **Service and Repair**

Warranty on all components in this system ( VOD10PS2, Remote Control, Game Controllers and built-in Sony PlayStation2) is handled by Audiovox Electronics Corporation. For service call 1-800-225-6074.

## REPLACEMENT PARTS

## SPECIFICATIONS

Remote Control

136-4926

LCD Backlighting

LED

Resolution

800 (RGB) x 480

Pixels

1,152,000

Operation Temperature

32 ~131° F (0 ~ 50° C)

Storage Temperature

-4 ~ 158° F (-20 ~ 70° C)

Backlit life

10,000 Hours

Video Display System

NTSC / PAL

Headphone Audio Output

0.03W @ 32 ohms

Video Output

1.0Vp-p @ 75 ohms

Power Source

12V DC

Dimension

L x W x H

12" x 12" x 2.5"

315mm x 315mm x 64.5mm

Specifications subject to change without notice.



## AUDIOVOX LIMITED WARRANTY

*Applies to Audiovox Mobile Video Products*



**AUDIOVOX®**

AUDIOVOX ELECTRONICS CORP. (the Company) warrants to the original retail purchaser of this product that, should this product or any part thereof (except game controllers), under normal use and conditions, be proven defective in material or workmanship within 36 months from the date of original purchase, such defect(s) will be repaired or replaced with reconditioned product (at the Company's option) without charge for parts and repair labor. A game controller, if supplied, is similarly warranted for (90) days.

To obtain repair or replacement within the terms of this Warranty, the product is to be delivered with proof of warranty coverage (e.g. dated bill of sale), specification of defect(s), transportation prepaid, to the Company at the address shown below.

This Warranty does not extend to the elimination of externally generated static or noise, to correction of antenna problems, to costs incurred for installation, removal or reinstallation of the product, or to damage to digital memory/media devices, gaming devices, discs, speakers, accessories, or vehicle electrical systems.

This Warranty does not apply to any product or part thereof which, in the opinion of the Company, has suffered or been damaged through alteration, improper installation, mishandling, misuse, neglect, accident, or by removal or defacement of the factory serial number/bar code label(s). THE EXTENT OF THE COMPANY'S LIABILITY UNDER THIS WARRANTY IS LIMITED TO THE REPAIR OR REPLACEMENT PROVIDED ABOVE AND, IN NO EVENT, SHALL THE COMPANY'S LIABILITY EXCEED THE PURCHASE PRICE PAID BY PURCHASER FOR THE PRODUCT.

This Warranty is in lieu of all other express warranties or liabilities. ANY IMPLIED WARRANTIES, INCLUDING ANY IMPLIED WARRANTY OF MERCHANTABILITY, SHALL BE LIMITED TO THE DURATION OF THIS WRITTEN WARRANTY. ANY ACTION FOR BREACH OF ANY WARRANTY HEREUNDER INCLUDING ANY IMPLIED WARRANTY OF MERCHANTABILITY MUST BE BROUGHT WITHIN A PERIOD NOT EXCEEDING 12 MONTHS AFTER EXPIRATION OF THE WARRANTY. IN NO CASE SHALL THE COMPANY BE LIABLE FOR ANY CONSEQUENTIAL OR INCIDENTAL DAMAGES FOR BREACH OF THIS OR ANY OTHER WARRANTY. No person or representative is authorized to assume for the Company any liability other than expressed herein in connection with the sale of this product.

Some states do not allow limitations on how long an implied warranty lasts or the exclusion or limitation of incidental or consequential damage so the above limitations or exclusions may not apply to you. This Warranty gives you specific legal rights and you may also have other rights which vary from state to state.

Audiovox Electronics Corporation, 150 Marcus Blvd., Hauppauge, New York 11788 | 1-800-645-4994

128-5148F

